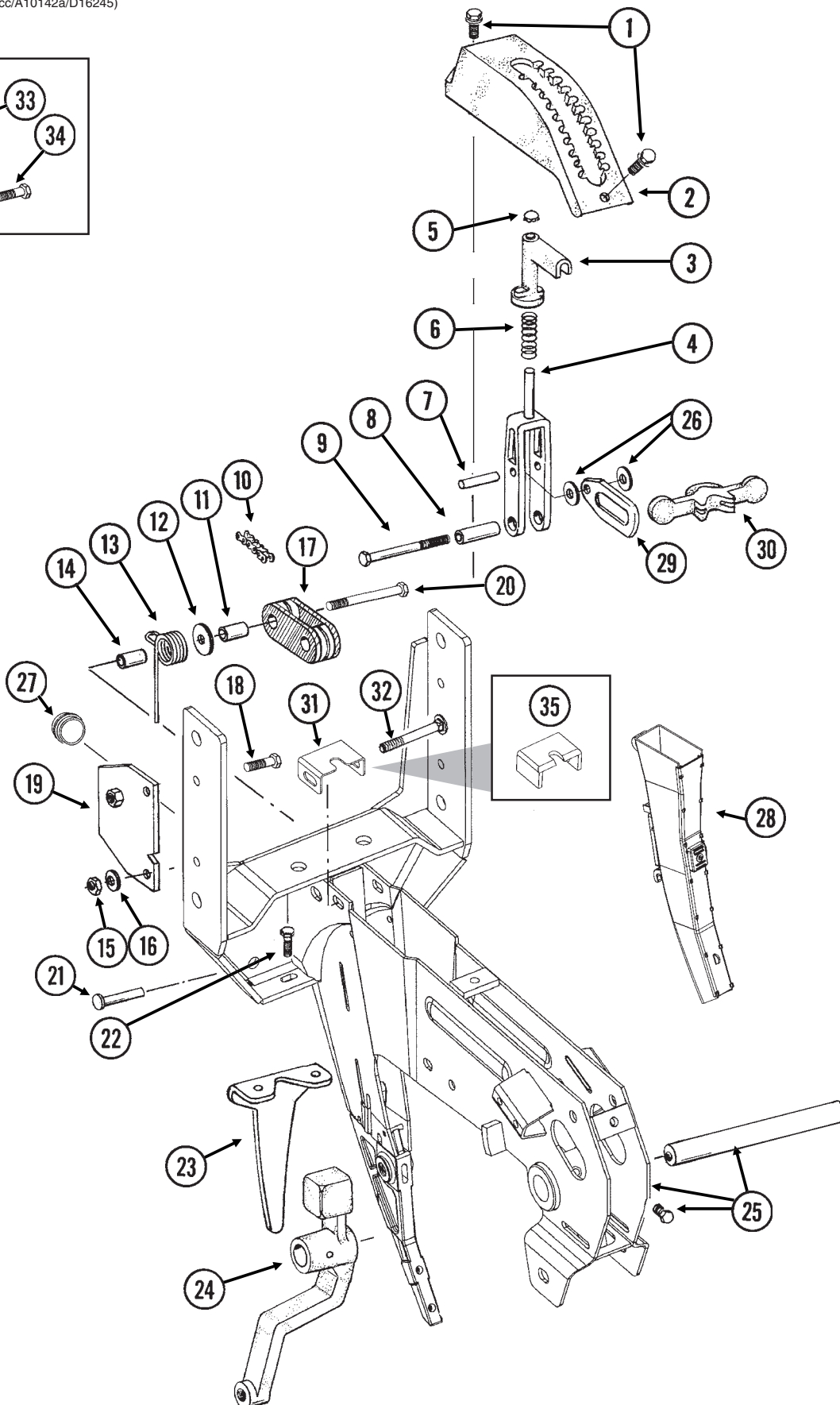
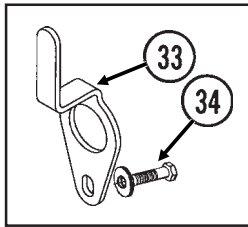


PARTS LIST INDEX

ROW UNIT	
15" Seed Opener Disc Blade/Bearing Assembly And Scrapers	P5
Coulter Mounted Residue Wheels	P42
Covering Discs/Single Press Wheel	P8
Drag Closing Attachment	P11
Frame Mounted Coulter W/Residue Wheels	P44
Gauge Wheels	P6
Granular Chemical Banding Options	P35
Granular Chemical Hopper And Hopper Panel Extension	P32
Granular Chemical Meter And Meter Drive	P34
Hopper Support And Meter Drive	P12
Parallel Arms, Mounting Support Plate And Quick Adjustable Down Force Springs	P4
Row Unit Mounted Disc Furrower	P38
Row Unit Mounted No Till Coulter	P37
Row Unit Mounted Residue Wheel	P40
Seed Hopper And Lid (Conventional Planters)	P14
Seed Meter	P16
Shank Assembly, Seed Tube And Depth Adjustment	P2
Spring Tooth Incorporator	P36
"V" Closing Wheels	P10
EDGEVAC® SYSTEM	
Manifolds And Distribution Hoses	P52
PTO Pump Assembly	P56
Vacuum Fan Hydraulic Components	P48
Vacuum Fan Hydraulic Motor Assembly	P50
Vacuum Fan Motor Valve Block Assembly (Located On Both Sides Of Planter)	P51
Vacuum Gauges, Control Console And Vacuum Fan Assembly With Oil Cooler	P46
BASE MACHINE	
Center Toolbar/Rear H-Frame Assembly	P62
Contact Wheel, Arm And Tower Assemblies	P82
Cylinders	P110
Draft Link With Reservoir Tank	P78
Driven And Drill Shafts On Wings	P86
Driven And Drill Shafts On Center Section	P92
Electrical Components	P140
Hydraulic Hoses And Fittings	P132
Inner Slide Hitch	P58
Inner Wing, 32 Row 30" And 36 Row 30"	P74
Lift/Gauge Wheel	P80
Light Assemblies And Brackets	P146
Outer Slide Hitch	P60
Outer Wing, 24 Row 30"	P72
Outer Wing, 32 Row 30" And 36 Row 30"	P76
Point Row Clutches	P94
Rock Shaft Axle Assembly And Wheels	P64
Row Marker Assemblies	P98
Row Marker Spindle/Hub/Blade	P96
Row Marker Stand	P108
Seed Rate Transmission	P84
Slide Assembly	P66
Stub Wing	P70
Transport Axle Assembly And Wheels	P68
Valve/Junction Blocks And Valves	P120
SDS SEED DELIVERY SYSTEM	
Auger Assemblies	P18
Bulk Seed Hopper Assembly	P28
Bulk Seed Hopper Catwalk	P30
SDS Hydraulic System	P138
Seed Meter Mount and Drop Hoses	P15
ELECTRONIC SEED MONITOR	
KPM II Stack-Mode Electronic Seed Monitor	P148
KPM III Electronic Seed Monitor	P150
FERTILIZER	
Depth/Gauge Wheel Attachment For Notched Single Disc Fertilizer Opener	P154
Fertilizer Opener Mounts	P155
Liquid Fertilizer	P156
Notched Single Disc Fertilizer Opener	P152
Rear Trailer Hitch	P172
Decals, Paint And Miscellaneous	P173
Numerical Index	P177

SHANK ASSEMBLY, SEED TUBE AND DEPTH ADJUSTMENT

(D17014/METR29cc/A10142a/D16245)

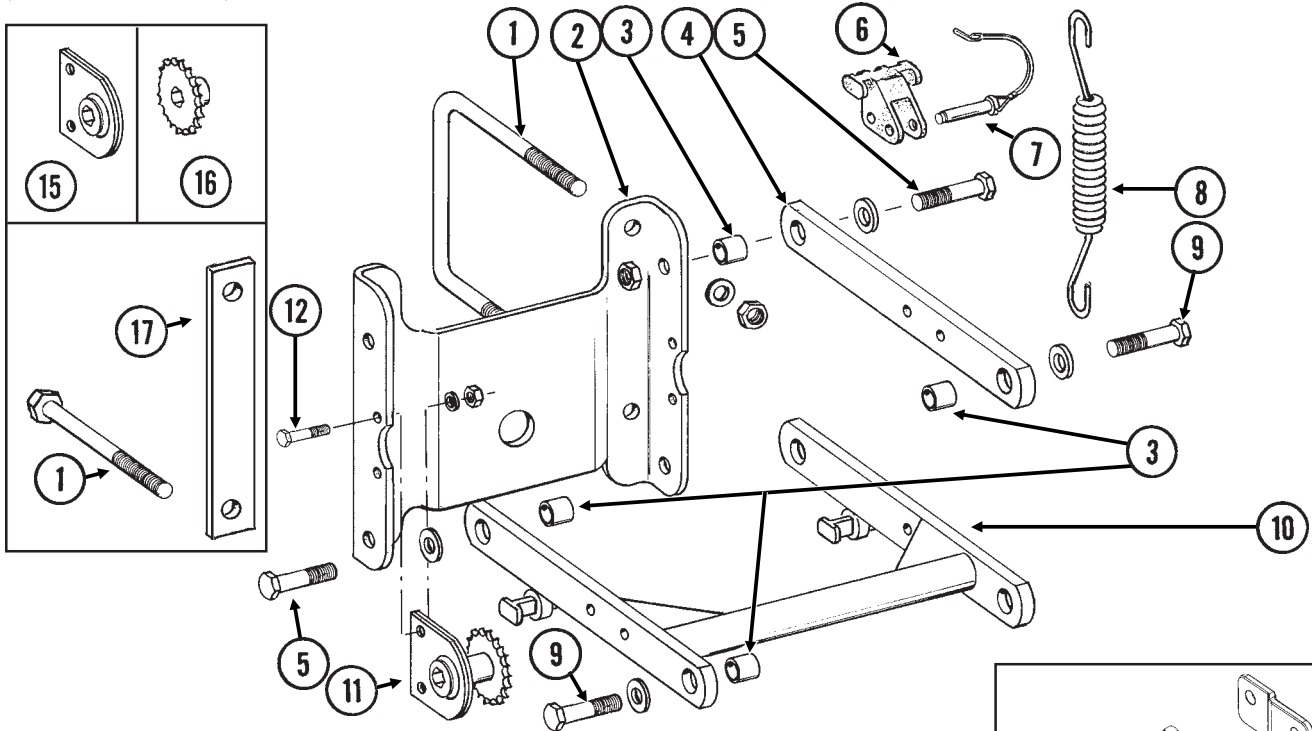


SHANK ASSEMBLY, SEED TUBE AND DEPTH ADJUSTMENT

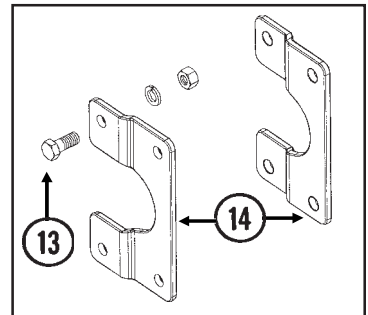
ITEM	PART NO.	QTY. (Per Row)	DESCRIPTION
1.	G11015	2	Hex Washer Head Cap Screw, $\frac{3}{8}$ "-16 x 1 $\frac{1}{4}$ "
2.	GB0274	1	Cover, Depth Adjustment
3.	GB0266	1	Handle, Depth Adjustment
4.	GB0267	1	Lever, Depth Adjustment
5.	GD3612	1	Cap Plug
6.	GD10993	1	Spring
7.	GD13361	1	Pin, $\frac{3}{8}$ " x 1 $\frac{2}{3}$ "
8.	GD11259	1	Sleeve, $\frac{3}{8}$ " I.D. x $\frac{5}{8}$ " O.D. x 1 $\frac{25}{32}$ " Long
9.	G11008	1	Hex Head Cap Screw, $\frac{3}{8}$ "-24 x 2 $\frac{1}{2}$ ", Grade 8
	G11007	1	Lock Nut, $\frac{3}{8}$ "-24, Grade C
10.	G3303-104	1	Chain, No. 41, 104 Pitch Including Connector Link
	G3303-16	1	Chain, No. 41, 16 Pitch Including Connector Link (Used W/Row Unit Extension Brackets)
	GR0196	1	Connector Link, No. 41
11.	GD1026	1	Sleeve, 1 $\frac{3}{16}$ " Long
12.	G10201	1	Special Washer, $\frac{3}{8}$ " x 1 $\frac{1}{2}$ " O.D.
13.	GD1065	1	Idler Spring
14.	GD7318	1	Sleeve, 1" Long
15.	G10108	1	Lock Nut, $\frac{3}{8}$ "-16
16.	G10210	1	Washer, $\frac{3}{8}$ " USS
17.	GD11962	1	Idler
18.	G10003	3	Hex Head Cap Screw, $\frac{3}{8}$ "-16 x 1 $\frac{1}{2}$ "
	G10108	3	Lock Nut, $\frac{3}{8}$ "-16
19.	GD10867	2	Stop
20.	G10326	1	Hex Head Cap Screw, $\frac{3}{8}$ "-16 x 3 $\frac{3}{4}$ "
21.	G10551	1	Clevis Pin, $\frac{1}{4}$ " x 2 $\frac{1}{2}$ "
	G10669	1	Hair Pin Clip, No. 22
22.	G10312	2	Carriage Bolt, $\frac{5}{16}$ "-18 x $\frac{3}{4}$ "
	G10620	2	Serrated Flange Nut, $\frac{5}{16}$ "-18
23.	GD1033	1	Shield
24.		-	Wheel Arm, See "Gauge Wheels", Pages P6 And P7
25.	GA10157	1	Shank W/Gauge Wheel Pivot Spindle And Set Screw
	GD11001	-	Spindle
	G10438	-	Hex Head Cap Screw, $\frac{1}{2}$ "-13 x $\frac{3}{4}$ "
26.	G10207	2	Washer, $\frac{7}{8}$ " O.D. x $\frac{13}{32}$ " I.D. x .134" (If Applicable)
27.	GD11845	1	Dust Cap
28.			See "KPM II Stack-Mode Electronic Seed Monitor" And "KPM II Electronic Seed Monitor", Pages P148-P151
29.	GB0285	1	Collar, Depth Adjustment
30.	GB0265	1	Pivot Link, Depth Adjustment
31.	GD15970	1	Sun Shade
32.	G10304	1	Carriage Bolt, $\frac{3}{8}$ "-16 x 3"
	G10108	1	Lock Nut, $\frac{3}{8}$ "-16
33.	GD17014	1	Hose Guide
34.	G10047	1	Hex Head Cap Screw, $\frac{3}{8}$ "-16 x 1 $\frac{3}{4}$ "
	G10203	2-3	Washer, $\frac{3}{8}$ " SAE
	G10108	1	Lock Nut, $\frac{3}{8}$ "-16
35.	GD16245	-	Sun Shade (Rubber)

PARALLEL ARMS, MOUNTING SUPPORT PLATE AND QUICK ADJUSTABLE DOWN FORCE SPRINGS

(RU147/RU148a/RU78f/B0366)

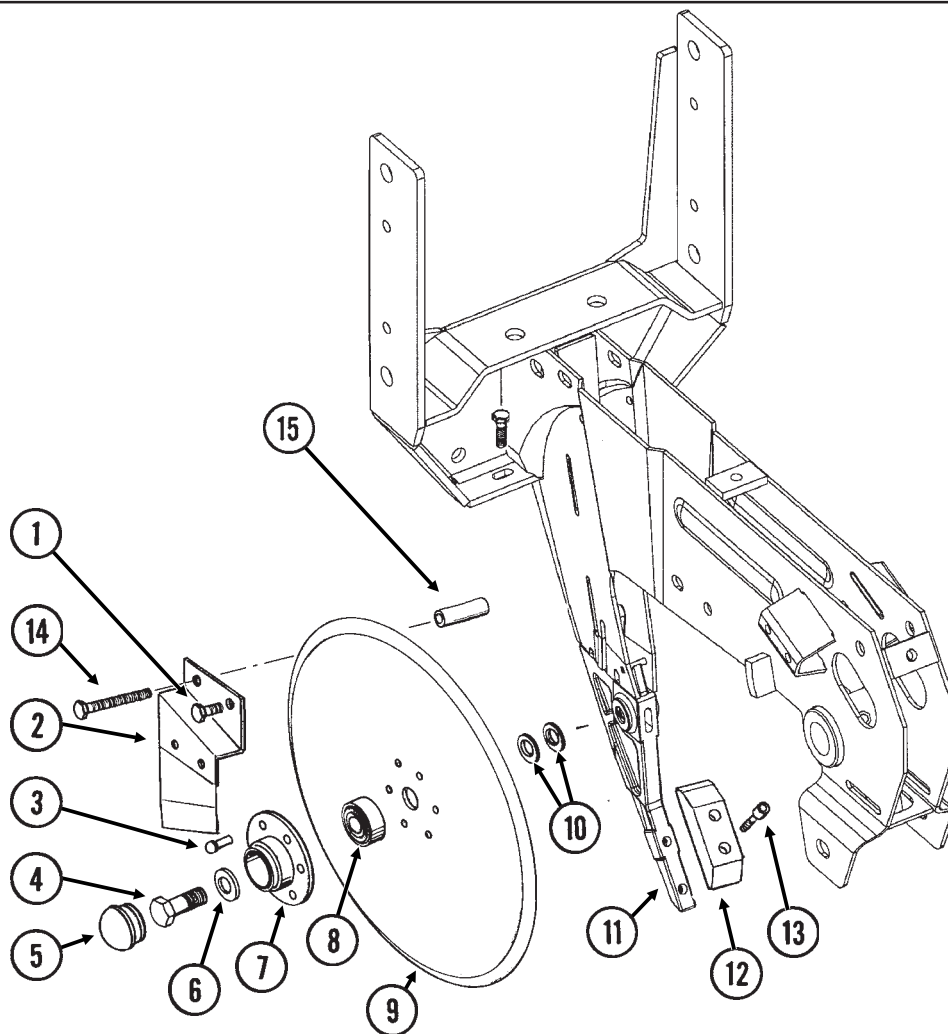


ITEM	PART NO.	QTY. (Per Row)	DESCRIPTION
1.	GD1114	2	U-Bolt, 7" x 7" x 5/8"-11
	G10152	-	Hex Head Cap Screw, 5/8"-11 x 9"
	G10217	-	Washer, 5/8" USS
	G10230	4	Lock Washer, 5/8"
	G10104	4	Hex Nut, 5/8"-11
2.	GD10036	1	Mounting Support Plate
3.	GB0218	4	Bushing, 21/32" I.D. x 7/8" O.D. x 19/32" Long
4.	GD11422	2	Upper Parallel Arm
5.	G10732	4	Hex Head Cap Screw, 5/8"-18 x 2"
	GD7805	4	Special Washer, 5/8", Hardened
	G10412	4	Lock Nut, 5/8"-18
6.	GB0186	2	Spring Anchor
7.	GD14217	2	Tab Lock Pin, 7/16" x 1 1/2"
8.	GD8249	2-4	Spring
9.		-	See "Hopper Support And Meter Drive", Page P12
10.	GA5651	1	Lower Parallel Arm
11.	GA1720	1	Bearing/Sprocket, 7/8" Hex Bore
12.	G10001	2	Hex Head Cap Screw, 3/8"-16 x 1"
	G10229	2	Lock Washer, 3/8"
	G10101	2	Hex Nut, 3/8"-16
13.	G10007	4	Hex Head Cap Screw, 5/8"-11 x 1 1/2"
	G10230	4	Lock Washer, 5/8"
	G10104	4	Hex Nut, 5/8"-11
14.	GB0366	2	Extension Bracket
15.	GA2180	-	Hanger Bearing, 7/8" Hex Bore
16.	GA11255	-	Sprocket, 19 Tooth
17.	GD1908	-	Mounting Bracket
A.	G6326X	-	U-Bolt Package For 7" x 7" Toolbar, Includes: (2) GD1114, (4) G10230, (4) G10104



15" SEED OPENER DISC BLADE/BEARING ASSEMBLY AND SCRAPERS

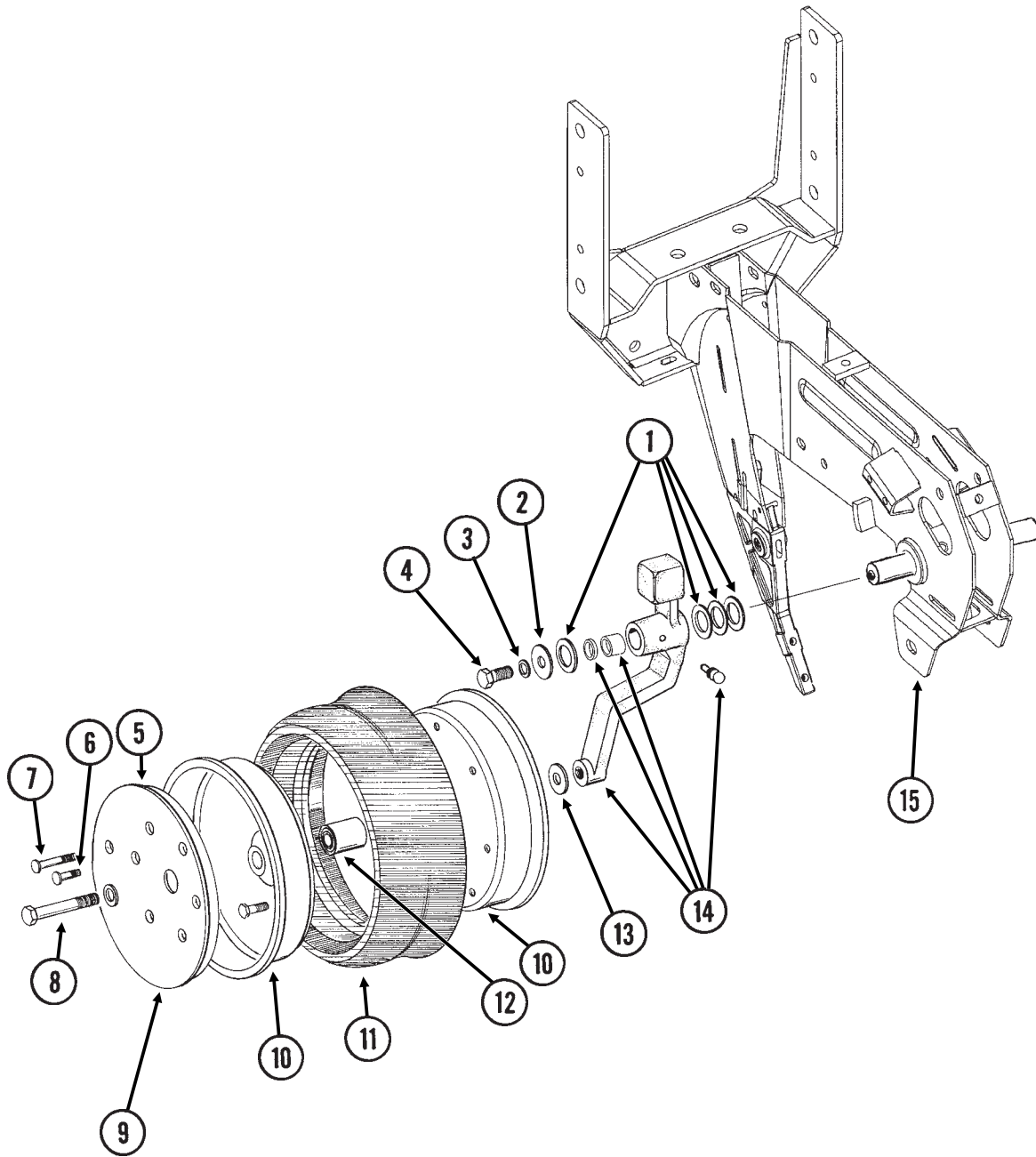
(RU139)



ITEM	PART NO.	QTY. (Per Row)	DESCRIPTION
1.	G10328	2	Hex Head Cap Screw, $\frac{3}{8}$ "-16 x $\frac{5}{8}$ "
	G10622	2	Serrated Flange Nut, $\frac{3}{8}$ "-16
2.	GA2012R	1	Disc Scraper, R.H.
	GA2012L	-	Disc Scraper, L.H. (Shown)
3.	G10427	12	Rivet, $\frac{1}{4}$ " x $\frac{1}{2}$ "
4.	GD11017	1	Special Hex Head Cap Screw, $\frac{5}{8}$ "-11 x $1 \frac{1}{2}$ ", L.H. Threads
	G10007	1	Hex Head Cap Screw, $\frac{5}{8}$ "-11 x $1 \frac{1}{2}$ "
5.	GD11845	2	Dust Cap
6.	G10204	2	Special Machine Bushing, $\frac{5}{8}$ " x 1" O.D.
7.	GD10473	2	Bearing Housing
8.	GA2014	2	Bearing
9.	GD11306	2	Disc Blade, 3.5 mm x 15"
10.	G10213	-	Machine Bushing, $\frac{5}{8}$ " (.030" Thick)(As Required)
11.		-	See "Shank Assembly", Pages P2 And P3
12.	GB0301	1	Seed Tube Guard/Inner Scraper
13.	G10912	2	Hex Socket Head Cap Screw, $\frac{5}{16}$ "-18 x 1", Grade 8
14.	G10325	1	Hex Head Cap Screw, $\frac{3}{8}$ "-16 x $2 \frac{3}{4}$ "
	G10622	1	Serrated Flange Nut, $\frac{3}{8}$ "-16
15.	GD11259	1	Sleeve, $\frac{3}{8}$ " I.D. x $\frac{5}{8}$ " O.D. x $1 \frac{25}{32}$ " Long
A.	GA8324	-	Disc Blade/Bearing Assembly, Less Dust Cap (Items 3 And 7-9)

GAUGE WHEELS

(RU140)

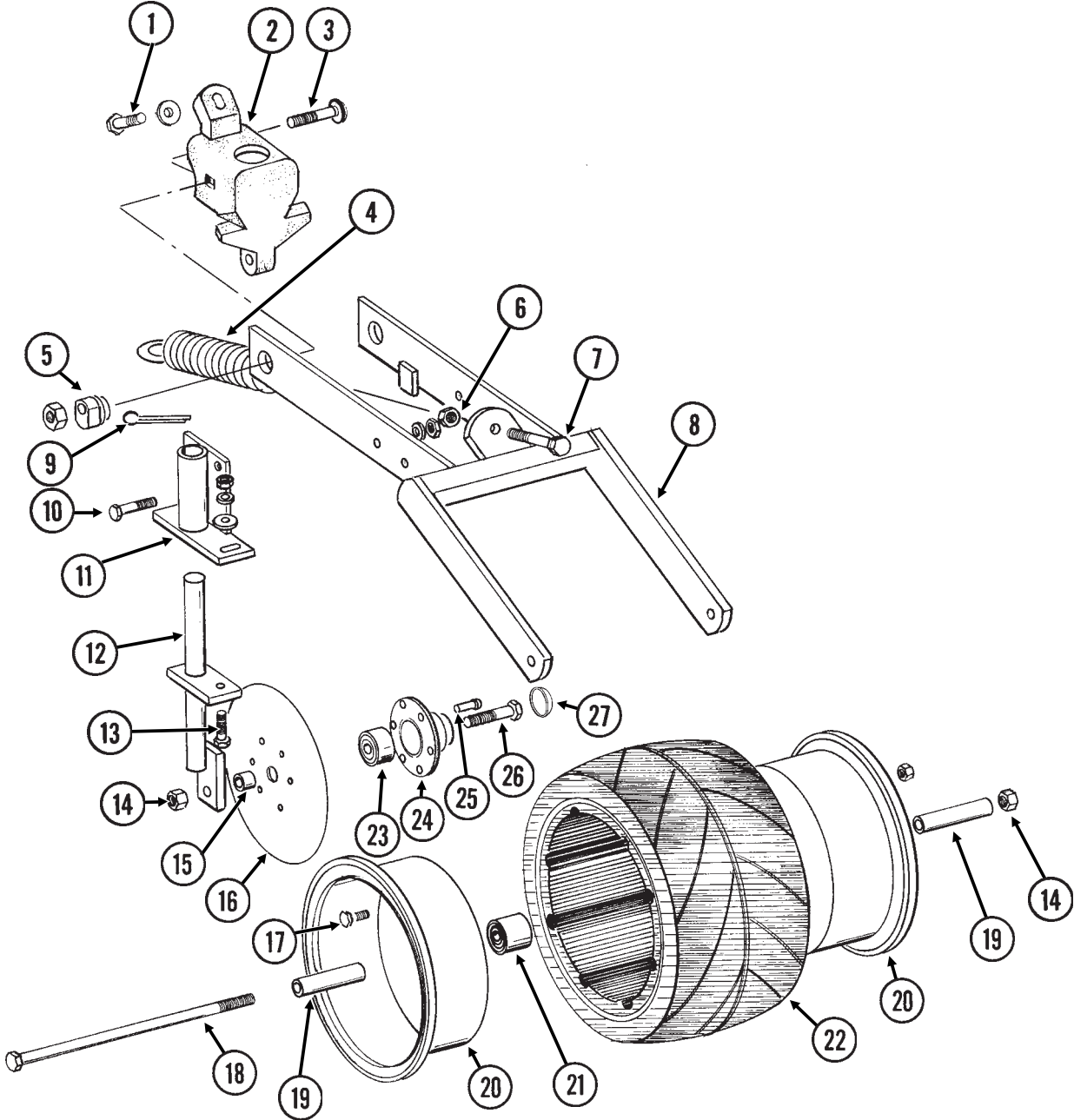


GAUGE WHEELS

ITEM	PART NO.	QTY. (Per Row)	DESCRIPTION
1.	G10940	-	Machine Bushing, 1" (.048" Thick)
2.	G10216	2	Washer, 1/2" USS
3.	G10228	2	Lock Washer, 1/2"
4.	G10014	1	Hex Head Cap Screw, 1/2"-13 x 1"
5.	GD11453	2	Cover
6.	G10338	12	Carriage Bolt, 5/16"-18 x 1 1/4"
	G10620	12	Serrated Flange Nut, 5/16"-18
7.	G10924	8	Carriage Bolt, 5/16"-18 x 1 3/4"
	G10620	8	Serrated Flange Nut, 5/16"-18
8.	G10010	2	Hex Head Cap Screw, 5/8"-11 x 3"
	G10230	2	Lock Washer, 5/8"
9.	G10018	14	Hex Head Cap Screw, 5/16"-18 x 5/8"
	G10109	14	Lock Nut, 5/16"-18, Grade 8
10.	GD11423	4	Half Wheel
11.	GD1086	2	Tire
12.	GA6171	2	Bearing
13.	G10204	2	Special Machine Bushing, 5/8" x 1" O.D.
14.	GA7975	1	Wheel Arm W/Grease Fitting, Bushings And Seals, L.H. (Shown)
	GA7976	1	Wheel Arm W/Grease Fitting, Bushings And Seals, R.H.
	G10640	1	Grease Fitting, 1/4"-28 (Per Arm)
	GB0276	2	Bushing, 1" I.D. x 1 1/4" O.D. x 1" Long (Per Arm)
	GD10991	2	Seal (Per Arm)
15.		-	See "Shank Assembly", Pages P2 And P3
A.	GA7949	-	Gauge Wheel Complete (Items 5-7 And 9-12)
B.	G1K296	-	Gauge Wheel Arm Bushing And Seal Driver Kit, Includes: (1) Seal Driver, (1) Bushing Driver, (1) Instruction

COVERING DISCS/SINGLE PRESS WHEEL

RUA054/RUB026(RU94d)

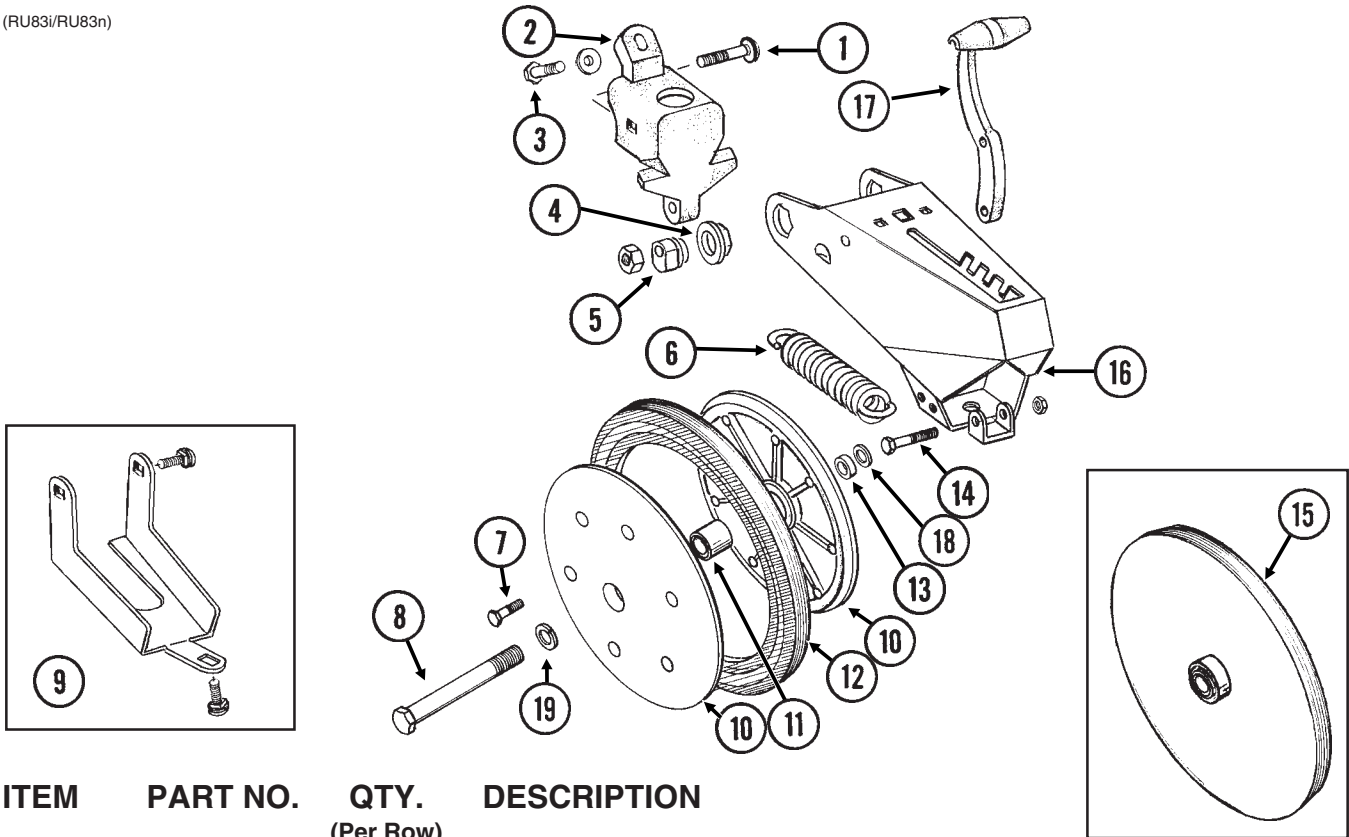


COVERING DISCS/SINGLE PRESS WHEEL

ITEM	PART NO.	QTY. (Per Row)	DESCRIPTION
1.	G10001	1	Hex Head Cap Screw, $\frac{3}{8}$ "-16 x 1"
	G10210	1	Washer, $\frac{3}{8}$ " USS
2.	GB0268	1	Wheel Arm Stop
3.	G10801	2	Carriage Bolt, $\frac{1}{2}$ "-13 x 2 $\frac{1}{4}$ "
	G10315	-	Carriage Bolt, $\frac{1}{2}$ "-13 x 2 $\frac{1}{2}$ " (Used W/Straight Drop In-Furrow Granular Chemical Bracket)
	G10102	2	Hex Nut, $\frac{1}{2}$ "-13
4.	GA2054	1	Spring
5.	GB0239	2	Eccentric Bushing
6.	G10102	1	Hex Nut, $\frac{1}{2}$ "-13
7.	G10015	1	Adjusting Bolt, $\frac{1}{2}$ "-13 x 5"
8.	GA6619	1	Mounting Arm
9.	G10463	2	Cotter Pin, $\frac{1}{4}$ " x 1 $\frac{1}{2}$ "
10.	G10171	4	Hex Head Cap Screw, $\frac{5}{16}$ "-18 x 1 $\frac{1}{4}$ "
	G10232	4	Lock Washer, $\frac{5}{16}$ "
	G10106	4	Hex Nut, $\frac{5}{16}$ "-18
11.	GA6620	2	Bracket
12.	GA6618	2	Mount
13.	G10303	2	Carriage Bolt, $\frac{5}{16}$ "-18 x 1"
	G10219	2	Washer, $\frac{5}{16}$ " USS
	G10232	2	Lock Washer, $\frac{5}{16}$ "
	G10106	2	Hex Nut, $\frac{5}{16}$ "-18
14.	G10107	3	Lock Nut, $\frac{5}{8}$ "-11
15.	GD1109	2	Bushing, $\frac{41}{64}$ " I.D. x $\frac{7}{8}$ " O.D. x $\frac{1}{4}$ " Long
16.	GD9290	2	Disc Blade, 8"
17.	G10018	7	Hex Head Cap Screw, $\frac{5}{16}$ "-18 x $\frac{5}{8}$ "
	G10109	7	Lock Nut, $\frac{5}{16}$ "-18, Grade 8
18.	G10152	1	Hex Head Cap Screw, $\frac{5}{8}$ "-11 x 9"
19.	GD3180-12	2	Sleeve, $\frac{5}{8}$ " I.D. x $\frac{7}{8}$ " O.D. x 2 $\frac{7}{8}$ " Long
20.	GD9562	2	Half Wheel
21.	GA6171	1	Bearing
22.	GD9305	1	Tire
23.	GA2014	2	Bearing
24.	GD10473	2	Bearing Housing
25.	G10427	12	Rivet, $\frac{1}{4}$ " x $\frac{1}{2}$ "
26.	G10006	2	Hex Head Cap Screw, $\frac{5}{8}$ "-11 x 2 $\frac{1}{4}$ "
27.	GD11845	2	Dust Cap
A.	GA6733	-	Single Press Wheel Complete W/Bearing (Items 17 And 20-22)
B.	GA6801	-	Covering Disc Blade Complete W/Bearing (Items 16 And 23-25)

"V" CLOSING WHEELS

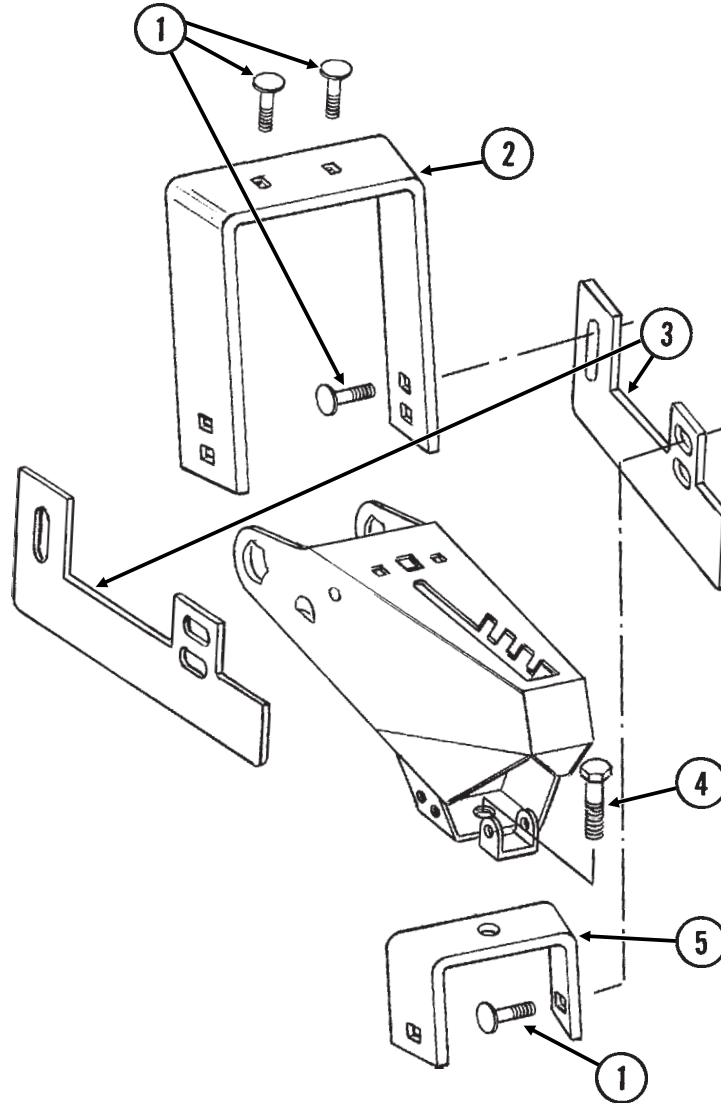
(RU83i/RU83n)



ITEM	PART NO.	QTY. (Per Row)	DESCRIPTION
1.	G10801 G10315	2 -	Carriage Bolt, 1/2"-13 x 2 1/4" Carriage Bolt, 1/2"-13 x 2 1/2" (Used W/Straight Drop In-Furrow Granular Chemical Bracket)
	G10111	2	Lock Nut, 1/2"-13
2.	GB0268	1	Wheel Arm Stop
3.	G10001 G10210	1 1	Hex Head Cap Screw, 3/8"-16 x 1" Washer, 3/8" USS
4.	GB0282	2	Stepped Bushing
5.	GB0239	2	Eccentric Bushing
6.	GD8460	1	Spring
7.	G10064	6	Hex Head Cap Screw, 1/4"-20 x 1"
8.	G10013 G10107	2 2	Hex Head Cap Screw, 5/8"-11 x 3 1/2" Lock Nut, 5/8"-11
9.	G1K345 G10308 G10599 G10210 G10229 G10101	- 2 1 1 3 3	Closing Wheel Shield Kit W/Hardware And Instruction Carriage Bolt, 3/8"-16 x 3/4" Carriage Bolt, 3/8"-16 x 1 1/4" Washer, 3/8" USS Lock Washer, 3/8" Hex Nut, 3/8"-16
10.	GD9120	4	Nylon Half Wheel
11.	GA6171	2	Bearing
12.	GD1085	2	Rubber Tire, 1" x 12"
13.	GD1109	2	Bushing, 41/64" I.D. x 7/8" O.D. x 1/4" Long
14.	G10133 G10109	1 1	Hex Head Cap Screw, 5/16"-18 x 1 1/2" Lock Nut, 5/16"-18, Grade 8
15.	GA6597 GA6171	- -	Cast Iron Closing Wheel W/Bearing Bearing
16.	GA8322	1	Arm
17.	GB0254	1	Lever
18.	GD7805	2	Special Washer, 5/8", Hardened
19.	G10230	2	Lock Washer, 5/8"
A.	GA6434	-	Rubber Closing Wheel Complete W/Bearing (Items 7 And 10-12)

DRAG CLOSING ATTACHMENT

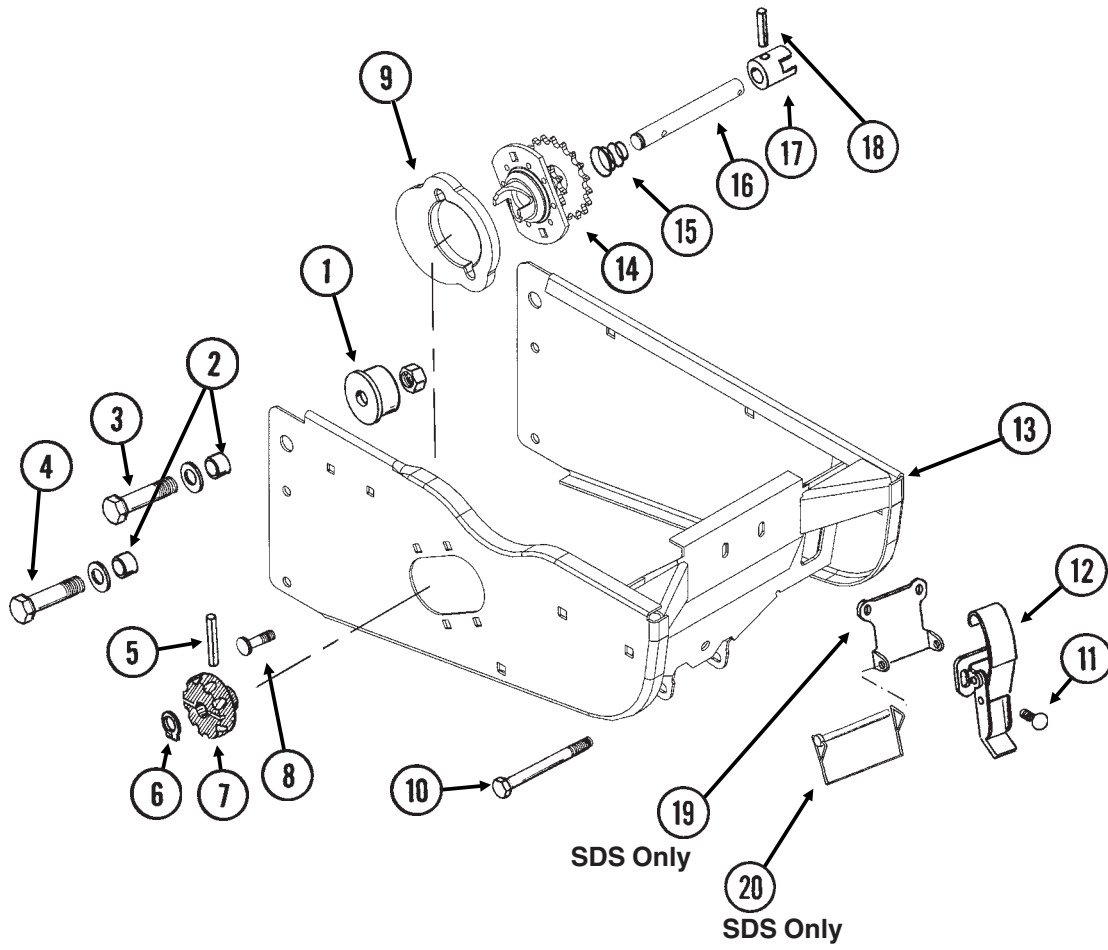
RUB050(RU90c)



ITEM	PART NO.	QTY.	DESCRIPTION
		(Per Row)	
1.	G10599	6	Carriage Bolt, $\frac{3}{8}$ "-16 x 1 $\frac{1}{4}$ "
	G10210	6	Washer, $\frac{3}{8}$ " USS
	G10229	6	Lock Washer, $\frac{3}{8}$ "
	G10101	6	Hex Nut, $\frac{3}{8}$ "-16
2.	GD11508	1	Front Bracket
3.	GD11313	2	Blade
4.	G10007	1	Hex Head Cap Screw, $\frac{5}{8}$ "-11 x 1 $\frac{1}{2}$ "
	G10230	1	Lock Washer, $\frac{5}{8}$ "
	G10104	1	Hex Nut, $\frac{5}{8}$ "-11
5.	GD11509	1	Rear Bracket
A.	G7566X	-	Drag Closing Attachment Complete (Items 1-5)

HOPPER SUPPORT AND METER DRIVE

(METR22f)

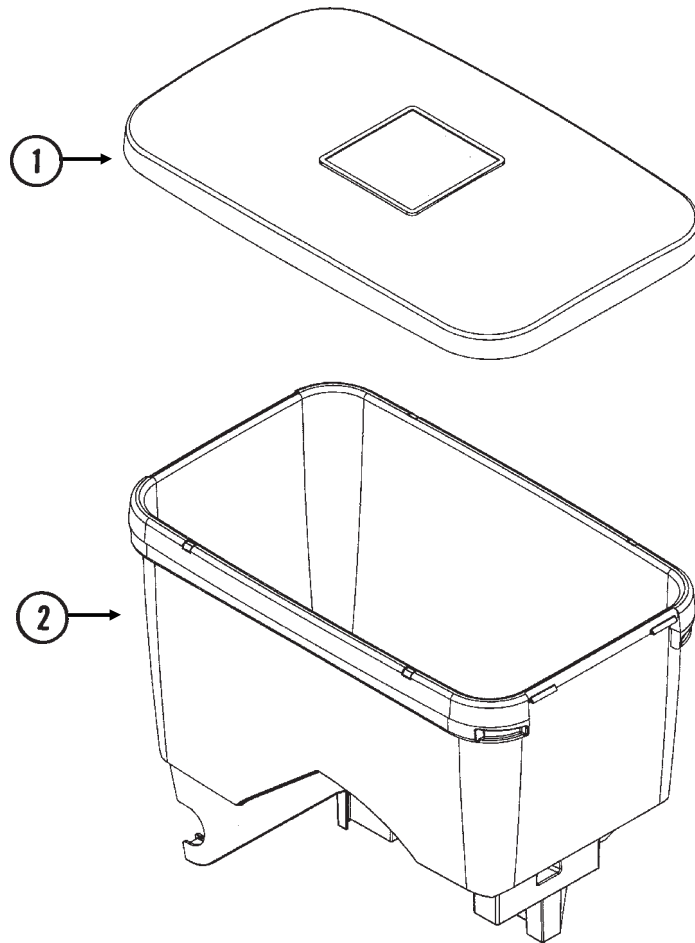


HOPPER SUPPORT AND METER DRIVE

ITEM	PART NO.	QTY. (Per Row)	DESCRIPTION
1.	GB0314	2	Hopper Mount
2.	GB0218	4	Bushing, $2\frac{1}{32}$ " I.D. x $\frac{7}{8}$ " O.D. x $1\frac{19}{32}$ " Long
3.	G10752	2	Hex Head Cap Screw, $\frac{5}{8}$ "-18 x $2\frac{1}{4}$ "
	GD7805	2	Special Washer, $\frac{5}{8}$ ", Hardened
	G10412	2	Lock Nut, $\frac{5}{8}$ "-18
4.	G10751	2	Hex Head Cap Screw, $\frac{5}{8}$ "-18 x $1\frac{3}{4}$ "
	GD7805	2	Special Washer, $\frac{5}{8}$ ", Hardened
	G10412	2	Lock Nut, $\frac{5}{8}$ "-18
5.	G10602	1	Spring Pin, $\frac{1}{4}$ " x $1\frac{1}{2}$ "
6.	G10567	1	External Retaining Ring, $\frac{5}{8}$ "
7.	GD11239	1	Knob
8.	G10338	2	Carriage Bolt, $\frac{5}{16}$ "-18 x $1\frac{1}{4}$ "
	G10620	2	Serrated Flange Nut, $\frac{5}{16}$ "-18
9.	GB0331	1	Clutch Adapter Plate
10.	G10061	1	Hex Head Cap Screw, $\frac{3}{8}$ "-16 x $3\frac{1}{2}$ "
	G10210	2	Washer, $\frac{3}{8}$ " USS
	G10108	1	Lock Nut, $\frac{3}{8}$ "-16
11.	G10309	2	Carriage Bolt, $\frac{1}{4}$ "-20 x $\frac{5}{8}$ ", Grade 2
	G10621	2	Serrated Flange Nut, $\frac{1}{4}$ "-20
12.	GA2007	1	Hopper Hold Down Latch
13.	GA10155	1	Hopper Support
14.	GA10137	1	Double Sprocket And Bearing, Drive Clutch, 11/19 Tooth
15.	GD11413	1	Spring
16.	GD15747	1	Shaft
17.	GB0278	1	Coupler
18.	G10546	1	Spring Pin, $\frac{3}{16}$ " x $1\frac{1}{4}$ "
19.	GD13110	1	Retainer (SDS Only)
20.	GD10705	1	Locking Clip Pin, $\frac{1}{4}$ " x $2\frac{1}{2}$ " (SDS Only)
A.	GA10151	-	Meter Drive Assembly, 11/19 Tooth (Items 5-7 And 14-18)

SEED HOPPER AND LID (Conventional)

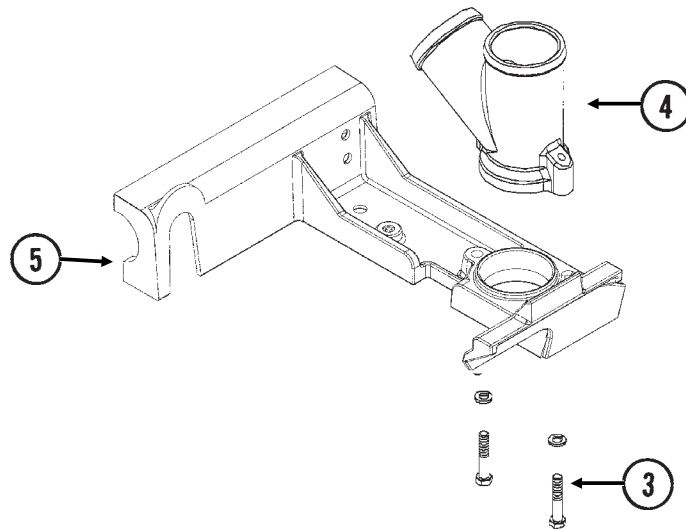
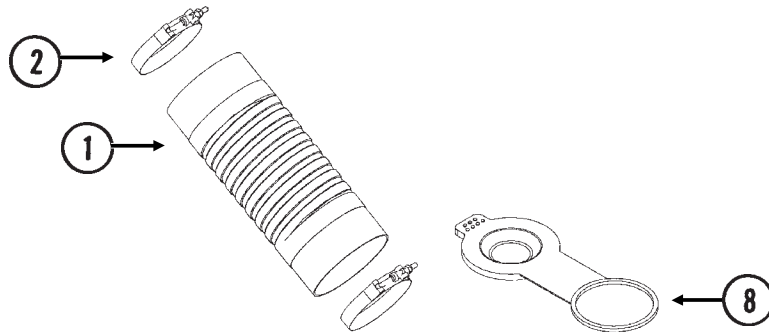
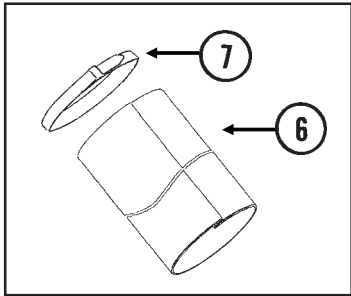
(METR12)



ITEM	PART NO.	QTY.	DESCRIPTION
1.	GD11279	1	Lid
2.	GA10634	1	Seed Hopper

SEED METER MOUNT AND DROP HOSES (SDS)

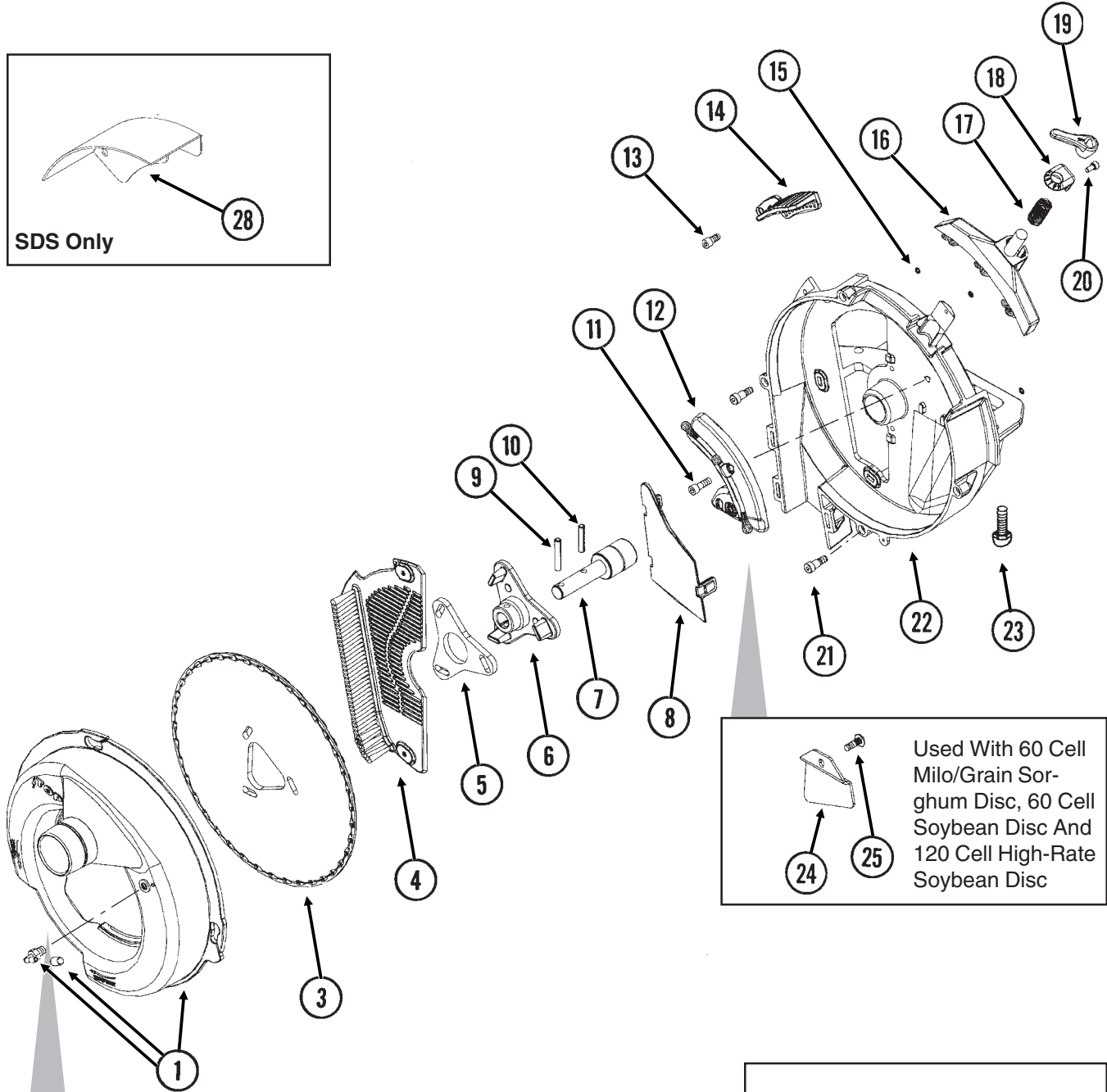
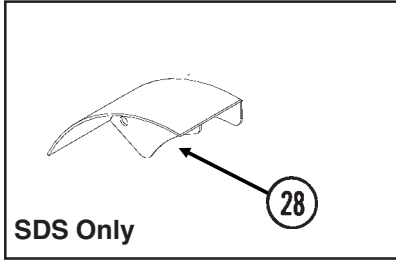
(D16399/METR63bb)



ITEM	PART NO.	QTY. (Per Row)	DESCRIPTION
1.	GD12797-02	1	Drop Hose, 3 1/4" x 30"
	GD12797-04	-	Drop Hose, 3 1/4" x 32"
	GD12797-05	-	Drop Hose, 3 1/4" x 36"
	GD12797-09	-	Drop Hose, 3 1/4" x 39"
2.	G10999	2	T-Bolt Hose Clamp, 3 1/4"
3.	G10047	2	Hex Head Cap Screw, 3/8"-16 x 1 3/4"
	G10229	2	Lock Washer, 3/8"
4.	GB0371	1	Inlet, Short
5.	GA11392	1	Meter Mount
6.	GD16399-01	-	Sleeve, 3" x 10"
7.	GD2117	-	Tie Strap, 14 1/2"
8.	GD13412	1	View Cap

SEED METER

(METR69/METR65/A12133)

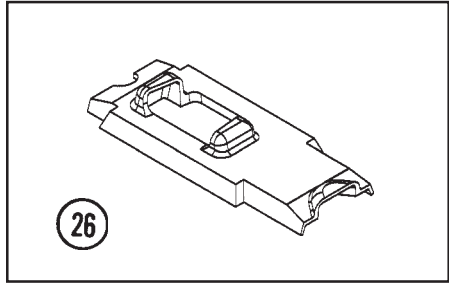


Used With 60 Cell Milo/Grain Sorghum Disc, 60 Cell Soybean Disc And 120 Cell High-Rate Soybean Disc

24 25

2 Used With 60 Cell Milo/Grain Sorghum Disc

27 Used With 20 Cell Hill-Drop Acid-Delinted Cotton Disc And 54 Cell Acid-Delinted Cotton/ Small Dry Edible Bean Disc

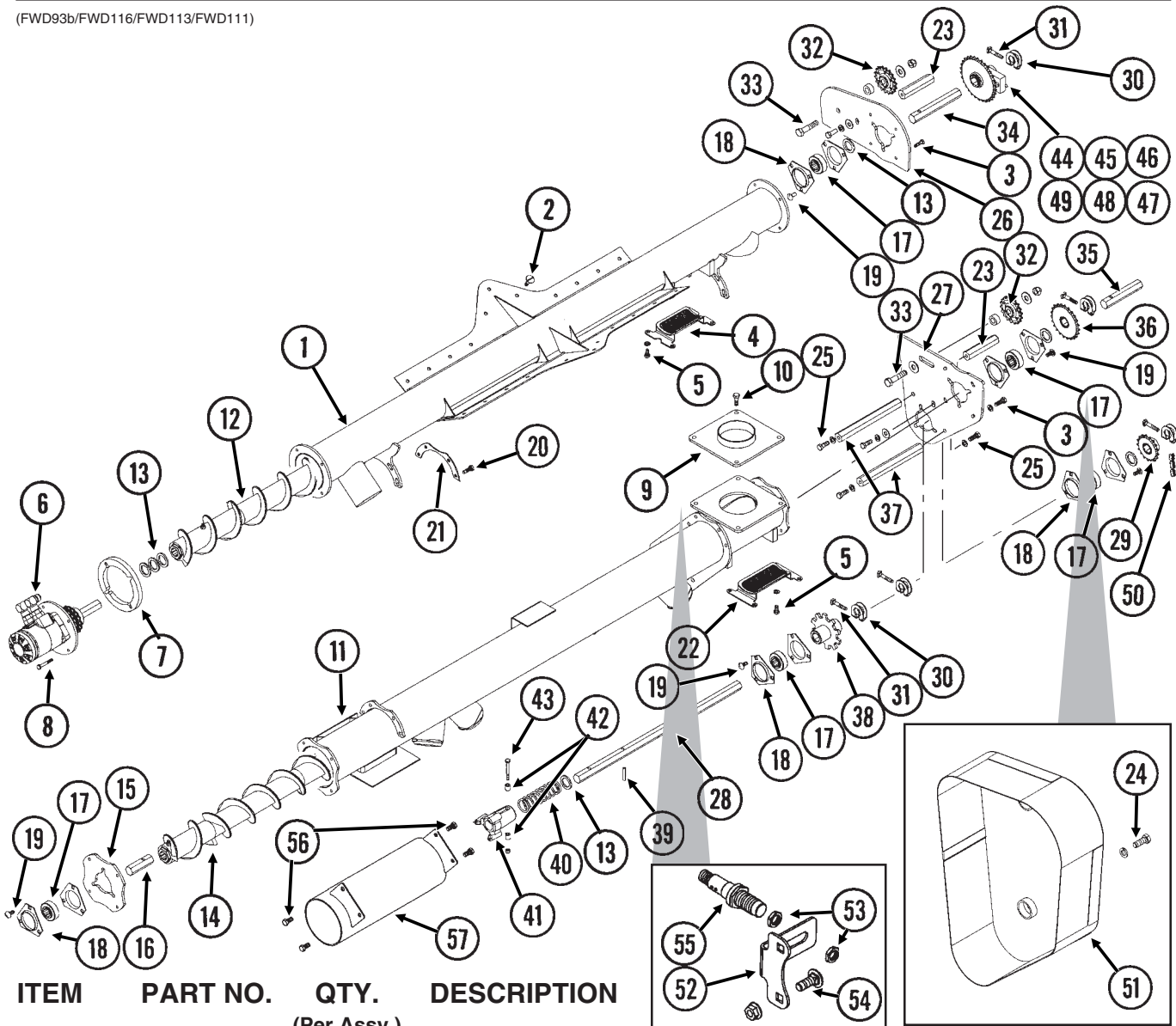


SEED METER

ITEM	PART NO.	QTY.	DESCRIPTION
1.	GA11911	1	Vacuum Cover W/Elbow And Cap
	GD17099	-	³ / ₁₆ " Hose Barb Elbow
	GD17152	-	Cap
2.	GA12133	1	Cleanout Brush (Used With 60 Cell Milo/Grain Sorghum Disc)
3.	GD17049	-	Seed Disc, Corn/Popcorn, 39 Cell, Light Blue Color-Coded
	GD17048	-	Seed Disc, Low-Rate Corn/Popcorn, 24 Cell, Light Green Color-Coded
	GD14467	-	Seed Disc, Soybean, 60 Cell, Black Color-Coded
	GD14468	-	Seed Disc, High-Rate Soybean, 120 Cell, Dark Blue Color-Coded
	GD17050	-	Seed Disc, Milo/Grain Sorghum, 60 Cell, Yellow Color-Coded
	GD17187	-	Seed Disc, Hill-Drop Cotton, Acid-Delinted, 20 Cell (3 Seeds Per Cell), Brown Color-Coded
	GD17186	-	Seed Disc, Cotton, Acid-Delinted/Small Dry Edible Bean, 54 Cell, Dark Green Color-Coded
	GD14477	-	Seed Disc, Large Dry Edible Bean, 54 Cell, Tan Color-Coded
4.	GD17028	1	Wall Brush/Vent
5.	GD17021	1	Foam Spacer
6.	GB0328	1	Mount
7.	GA5698	1	Bearing
8.	GD14541	1	Discharge Cover
9.	G10602	1	Spring Pin, ¹ / ₄ " x 1 ¹ / ₂ "
10.	G10603	1	Spring Pin, ¹ / ₄ " x 1 ¹ / ₄ "
11.	G11213	1	Hex Socket Head Cap Screw, ¹ / ₄ "-20 x ³ / ₄ "
12.	GA11935	1	Crowder Brush
13.	G10260	1	Hex Socket Head Cap Screw, ¹ / ₄ "-20 x ¹ / ₂ " (Conventional Only)
	G11213	1	Hex Socket Head Cap Screw, ¹ / ₄ "-20 x ³ / ₄ " (SDS Only)
	G10110	1	Lock Nut, ¹ / ₄ "-20, Grade B (SDS Planters)
14.	GD17047	1	Air Inlet Screen
15.	GD17162	3	Push Nut, ¹ / ₈ " I.D.
16.	GA10755	1	Singulator Brush
17.	GD14592	1	Spring
18.	GB0358	1	Cap
19.	GD15663	1	Brush Adjustment Lever
20.	G11173	1	Hex Socket Head Cap Screw, No. 10-24 x ³ / ₈ ", Stainless Steel
21.	G11172	4	Hex Socket Head Shoulder Screw, ¹ / ₄ "-20 x ³ / ₈ ", Stainless Steel
22.	GB0319	1	Housing
23.	G11009	2	Locking Thumbscrew, ⁵ / ₁₆ "-18 x ³ / ₄ " (Conventional Only)
	G10171	2	Hex Head Cap Screw, ⁵ / ₁₆ "-18 x 1 ¹ / ₄ " (SDS Only)
	G10232	2	Lock Washer, ⁵ / ₁₆ " (SDS Only)
24.	GD17104	1	Seed Baffle (Used With 60 Cell Milo/Grain Sorghum Disc, 60 Cell Soybean Disc And 120 Cell High-Rate Soybean Disc)
25.	G11210	1	Rib Neck Bolt, ¹ / ₄ "-20 x ³ / ₄ "
	G10323	1	Hex Flange Nut, ¹ / ₄ "-20, No Serration
26.	GD15700	1	Shank Cover, EdgeVac® Meter
27.	GA12154	-	Cleanout Brush W/Ball-Type Ejector (Used With 20 Cell Hill-Drop Acid-Delinted Cotton Disc And 54 Cell Acid-Delinted Cotton/Small Dry Edible Bean Disc)
28.	GD15923	1	Meter Cover (SDS Only)

CENTER AUGER ASSEMBLIES (SDS)

(FWD93b/FWD116/FWD113/FWD111)



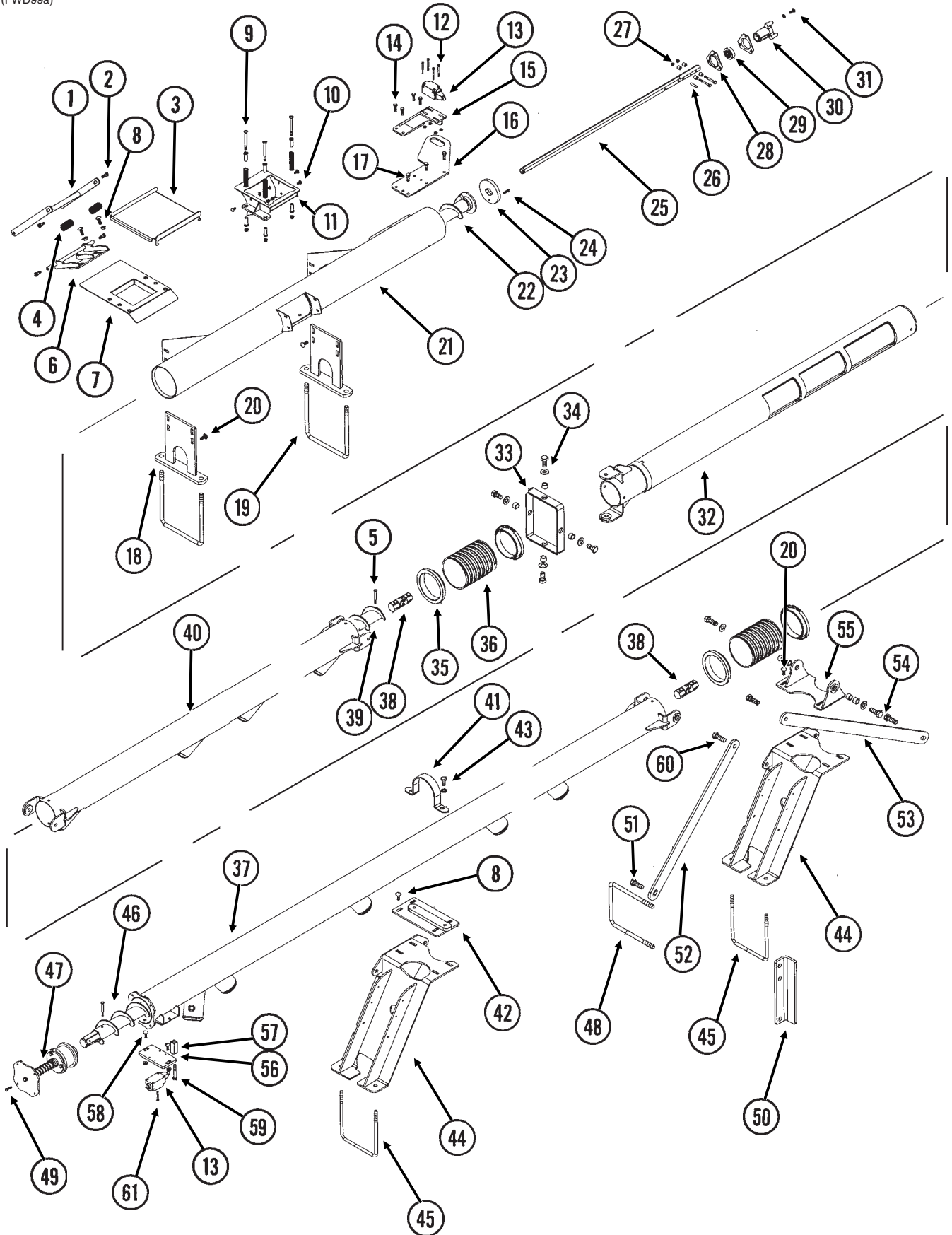
ITEM	PART NO.	QTY.	DESCRIPTION
		(Per Assy.)	
1.	GA11395	1	Upper Tube, L.H. (Shown)
	GA11396	-	Upper Tube, R.H.
2.	G11192	22	Bolt, 5/16"-18 x 1"
	G10221	22	Washer, 5/16" SAE
	G11182	22	Lock Nut, 5/16"-18
3.	G10064	10	Hex Head Cap Screw, 1/4"-20 x 1"
	G10110	10	Lock Nut, 1/4"-20, Grade B
4.	GA11623	1	Screen
5.	G10018	8	Hex Head Cap Screw, 5/16"-18 x 5/8"
	G10232	8	Lock Washer, 5/16"
6.		-	See "SDS Hydraulic System", Pages P138 And P139
7.	GD16766	1	Ring
8.	G10021	4	Hex Head Cap Screw, 1/4"-20 x 1 1/2"
	G10110	4	Lock Nut, 1/4"-20, Grade B
9.	GA11391	1	Transfer Plate
10.	G10001	1	Hex Head Cap Screw, 3/8"-16 x 1"
	G10622	-	Serrated Flange Nut, 3/8"-16
11.	GA11389	1	Lower Tube, L.H. (Shown)
	GA11390	-	Lower Tube, R.H.
12.	GA11625	1	Auger Assembly, 61 5/8", L.H. (Shown)
	GA11624	1	Auger Assembly, 61 5/8", R.H.
	G10403	-	Hex Head Cap Screw, 1/4"-20 x 2 1/2"
	G10110	-	Lock Nut, 1/4"-20, Grade B
	GD16401	-	Auger Section, L.H.
	GD16400	-	Auger Section, R.H.
	GA11584	-	Hex Tube, 61 5/8"

CENTER AUGER ASSEMBLIES (SDS)

ITEM	PART NO.	QTY.	DESCRIPTION
		(Per Assy.)	
13.	G10233	3	Machine Bushing, 1", 10 Gauge
14.	GA11627	1	Auger Assembly, 63 ³ / ₈ ", L.H. (Shown)
	GA11626	1	Auger Assembly, 63 ³ / ₈ ", R.H.
	G10403	-	Hex Head Cap Screw, ¹ / ₄ "-20 x 2 ¹ / ₂ "
	G10110	-	Lock Nut, ¹ / ₄ "-20, Grade B
	GD16401	-	Auger Section, L.H.
	GD16400	-	Auger Section, R.H.
	GA11585	-	Hex Tube, 63 ³ / ₈ "
15.	GD16547	1	Bearing Plate
16.	GD16707	1	Shaft
17.	G2100-03	5	Bearing, ⁷ / ₈ " Hex Bore, Spherical
18.	G3400-01	-	Flangette
19.	G10312	-	Carriage Bolt, ⁵ / ₁₆ "-18 x ³ / ₄ "
	G10620	-	Serrated Flange Nut, ⁵ / ₁₆ "-18
20.	G10019	8	Hex Head Cap Screw, ⁵ / ₁₆ "-16 x 1"
	G10620	8	Serrated Flange Nut, ⁵ / ₁₆ "-18
21.	GD16550	1	Shim
22.	GA11763	1	Screen
23.	GD16542	2	Guard
24.	G10001	-	Hex Head Cap Screw, ³ / ₈ "-16 x 1"
	G10210	-	Washer, ³ / ₈ " USS
	G10229	-	Lock Washer, ³ / ₈ "
25.	G10001	-	Hex Head Cap Screw, ³ / ₈ "-16 x 1"
	G10229	-	Lock Washer, ³ / ₈ "
26.	GD16539	1	Plate
27.	GD16540	1	Lower Plate
28.	GD11394-23	1	Hex Shaft, ⁷ / ₈ " x 23" (2 Holes)
29.	GA5106	1	Sprocket, 17 Tooth
30.	GD11045	5	Lock Clamp
31.	G10130	5	Square Head Machine Bolt, ⁵ / ₁₆ "-18 x 1 ³ / ₄ "
	G10923	5	Flange Nut, ⁵ / ₁₆ "-18, No Serration
32.	GA7154	2	Sprocket W/Bearing, 18 Tooth
33.	G10581	2	Hex Head Cap Screw, ¹ / ₂ "-13 x 2 ¹ / ₄ "
	GD4887-10	2	Sleeve
	G10216	3	Washer, ¹ / ₂ " USS
	G10111	2	Lock Nut, ¹ / ₂ "-13
34.	GD16705	1	Hex Shaft
35.	GD16706	1	Shaft
36.	GA5108	1	Sprocket, 23 Tooth
37.	GD17002	2	Hex Shaft, ⁷ / ₈ " x 8 ¹ / ₂ "
38.	GA11375	1	Sensor Wheel
39.	G10602	1	Spring Pin, ¹ / ₄ " x 1 ¹ / ₂ "
40.	GD2962	1	Spring
41.	GB0283	1	Coupler
42.	GD11395	2	Bushing, ¹ / ₂ "
43.	G10880	1	Hex Head Cap Screw, ¹ / ₄ "-20 x 2 ¹ / ₄ "
	G10110	1	Lock Nut, ¹ / ₄ "-20, Grade B
44.	G10464	2	Cotter Pin, ³ / ₁₆ " x 1"
45.	GD1256	2	Spring
46.	GA0378	1	Block And Hub Assembly
47.	GD1255	2	L-Pin
48.	GA5165	1	Sprocket, 30 Tooth
49.	G10430	1	External Retaining Ring, 1 ¹ / ₄ "
50.	G3310-112	1	Chain, No. 40, 112 Pitch Including Connector Link
	GR0912	-	Connector Link, No. 40
51.	GA11515	1	Guard, L.H.
	GA11513	-	Guard, R.H. (Shown)
52.	GD16535	1	Sensor Mount
53.	GD14257	2	Nut, M12 x 1"
54.	G10305	2	Carriage Bolt, ³ / ₈ "-16 x 1"
	G10622	2	Serrated Flange Nut, ³ / ₈ "-16
55.		-	Proximity Sensor, See "Electrical Components (SDS Control Console)" On Pages P142 And P143
56.	G10002	4	Hex Head Cap Screw, ³ / ₈ "-16 x ³ / ₄ "
	G10108	4	Lock Nut, ³ / ₈ "-16
57.	GA11393	1	Coupler
A.	GA5164	-	Ratchet/Sprocket Assembly, L.H. Hopper (Items 44-49)
	GA9843	-	Ratchet/Sprocket Assembly, R.H. Hopper (Items 44-49)

WING AUGER ASSEMBLIES, 24 ROW 30" (SDS)

(FWD99a)



WING AUGER ASSEMBLIES, 24 ROW 30" (SDS)

ITEM	PART NO.	QTY.	DESCRIPTION
1.	GA11539	2	Link
2.	G10183	4	Hex Socket Head Set Screw, $\frac{5}{16}$ "-18 x $\frac{3}{8}$ "
3.	GA11538	2	Lid
4.	GD16983	4	Spring
5.	G10880	-	Hex Head Cap Screw, $\frac{1}{4}$ "-20 x 2 $\frac{1}{4}$ "
	G10110	-	Lock Nut, $\frac{1}{4}$ "-20, Grade B
6.	GA11540	2	Link Mount
7.	GA11541	2	Plate
8.	G10305	-	Carriage Bolt, $\frac{3}{8}$ "-16 x 1"
	G10622	-	Serrated Flange Nut, $\frac{3}{8}$ "-16
9.	G11197	6	Slotted Flat Head Machine Screw, $\frac{5}{16}$ "-18 x 3 $\frac{1}{2}$ "
	GD16634	12	Sleeve
	GD16982	6	Spring
	G11182	6	Lock Nut, $\frac{5}{16}$ "-18
10.	G10309	8	Carriage Bolt, $\frac{1}{4}$ "-20 x $\frac{5}{8}$ ", Grade 2
	G10621	8	Serrated Flange Nut, $\frac{1}{4}$ "-20
11.	GA11555	1	Transfer Chute, L.H.
	GA11556	-	Transfer Chute, R.H.
12.	G11205	8	Hex Socket Head Cap Screw, No. 10-32 x 2"
	G10243	8	Washer, No. 10 SAE
	G11206	8	Lock Nut, No. 10-32
13.		-	Limit Switch, See "Electrical Components (SDS Control Console), Pages P142 And P143
14.	G10019	8	Hex Head Cap Screw, $\frac{5}{16}$ "-18 x 1"
	G10620	8	Serrated Flange Nut, $\frac{5}{16}$ "-18
15.	GA11548	2	Mount
16.	GD16672	2	Plate
17.	G10001	6	Hex Head Cap Screw, $\frac{3}{8}$ "-16 x 1"
	G10622	6	Serrated Flange Nut, $\frac{3}{8}$ "-16
18.	GA11531	4	Mount
19.	GD16320	4	U-Bolt, 8" x 8" x $\frac{5}{8}$ "-11
	G10230	4	Lock Washer, $\frac{5}{8}$ "
	G10104	4	Hex Nut, $\frac{5}{8}$ "-11
20.	G10305	8	Carriage Bolt, $\frac{3}{8}$ "-16 x 1"
	G10622	8	Serrated Flange Nut, $\frac{3}{8}$ "-16
21.	GA11563	1	Outer Auger Tube, L.H.
	GA11562	-	Outer Auger Tube, R.H.
22.	GA12673	1	Auger Assembly, L.H. (Shown)
	GA12672	-	Auger Assembly, R.H.
	G10403	-	Hex Head Cap Screw, $\frac{1}{4}$ "-20 x 2 $\frac{1}{2}$ "
	G10110	-	Lock Nut, $\frac{1}{4}$ "-20, Grade B
	GD16674	-	Spacer
	GD16401	-	Auger Section, L.H.
	GD16400	-	Auger Section, R.H.
	GA11581	-	Hex Tube, 64"
23.	GD16675	2	Pad
24.	G11180	2	Hex Head Cap Screw, $\frac{1}{4}$ "-20 x 1"
	G10110	2	Lock Nut, $\frac{1}{4}$ "-20, Grade B
25.	GA11580	2	Shaft
26.	G10602	2	Spring Pin, $\frac{1}{4}$ " x 1 $\frac{1}{2}$ "

(Continued On Following Page)

WING AUGER ASSEMBLIES, 24 ROW 30" (SDS)

ITEM	PART NO.	QTY.	DESCRIPTION
27.	G10880	4	Hex Head Cap Screw, 1/4"-20 x 2 1/4"
	GD11395	8	Bushing, 1/2"
	G10110	4	Lock Nut, 1/4"-20, Grade B
28.	G3400-01	4	Flangette
29.	G2100-03	2	Bearing, 7/8" Hex Bore, Spherical
30.	GB0283	2	Coupler
31.	G10043	6	Hex Head Cap Screw, 5/16"-18 x 3/4"
	G10232	6	Lock Washer, 5/16"
32.	GA11705	1	Inner Auger Tube, L.H. (Shown)
	GA11706	-	Inner Auger Tube, R.H.
33.	GD16556	2	Pivot Tube
34.	G10055	8	Hex Head Cap Screw, 5/8"-11 x 1 1/4"
	GD7805	8	Special Washer, 5/8", Hardened
	GB0218	8	Bushing, 2 1/32" I.D. x 7/8" O.D. x 1 9/32" Long
35.	GD16788	8	Hose Keeper
36.	GD16913	4	Hose, 5"
37.	GA11551	1	Auger Tube, L.H. (Shown)
	GA11552	-	Auger Tube, R.H.
38.	GA11575	4	U-Joint
39.	GA11631	1	Auger Assembly, L.H. (Shown)
	GA11630	-	Auger Assembly, R.H.
	G10403	-	Hex Head Cap Screw, 1/4"-20 x 2 1/2"
	G10110	-	Lock Nut, 1/4"-20, Grade B
	GD16401	-	Auger Section, L.H.
	GD16400	-	Auger Section, R.H.
	GD16385-04	-	Hex Tube, 97 1/4"
40.	GA11549	1	Auger Tube, L.H. (Shown)
	GA11550	-	Auger Tube, R.H.
41.	GD16631	2	Strap
42.	GA11518	2	Strap
43.	G10014	4	Hex Head Cap Screw, 1/2"-13 x 1"
	G10228	4	Lock Washer, 1/2"
44.	GA11517	4	Support
45.	GD7145	4	U-Bolt, 7" x 7" x 1/2"-13
	G10228	8	Lock Washer, 1/2"
	G10102	8	Hex Nut, 1/2"-13
46.	GA11633	1	Auger Assembly, L.H. (Shown)
	GA11632	-	Auger Assembly, R.H.
	G10403	-	Hex Head Cap Screw, 1/4"-20 x 2 1/2"
	G10110	-	Lock Nut, 1/4"-20, Grade B
	GD16401	-	Auger Section, L.H.
	GD16400	-	Auger Section, R.H.
	GA11582	-	Hex Tube, 125 7/8"
	GA11583	-	Hex Tube, 118 7/8"
47.	GA11778	2	Auger Stop
48.	GD14559	2	U-Bolt, 7" x 7" x 5/8"-11 (9" Long)
	G10230	4	Lock Washer, 5/8"
	G10102	4	Hex Nut, 5/8"-11
49.	G10064	4	Hex Head Cap Screw, 1/4"-20 x 1"
	G10110	4	Lock Nut, 1/4"-20, Grade B
50.	GD16466	1	Bracket, R.H. Side (Shown)
	GD16467	-	Bracket, L.H. Side

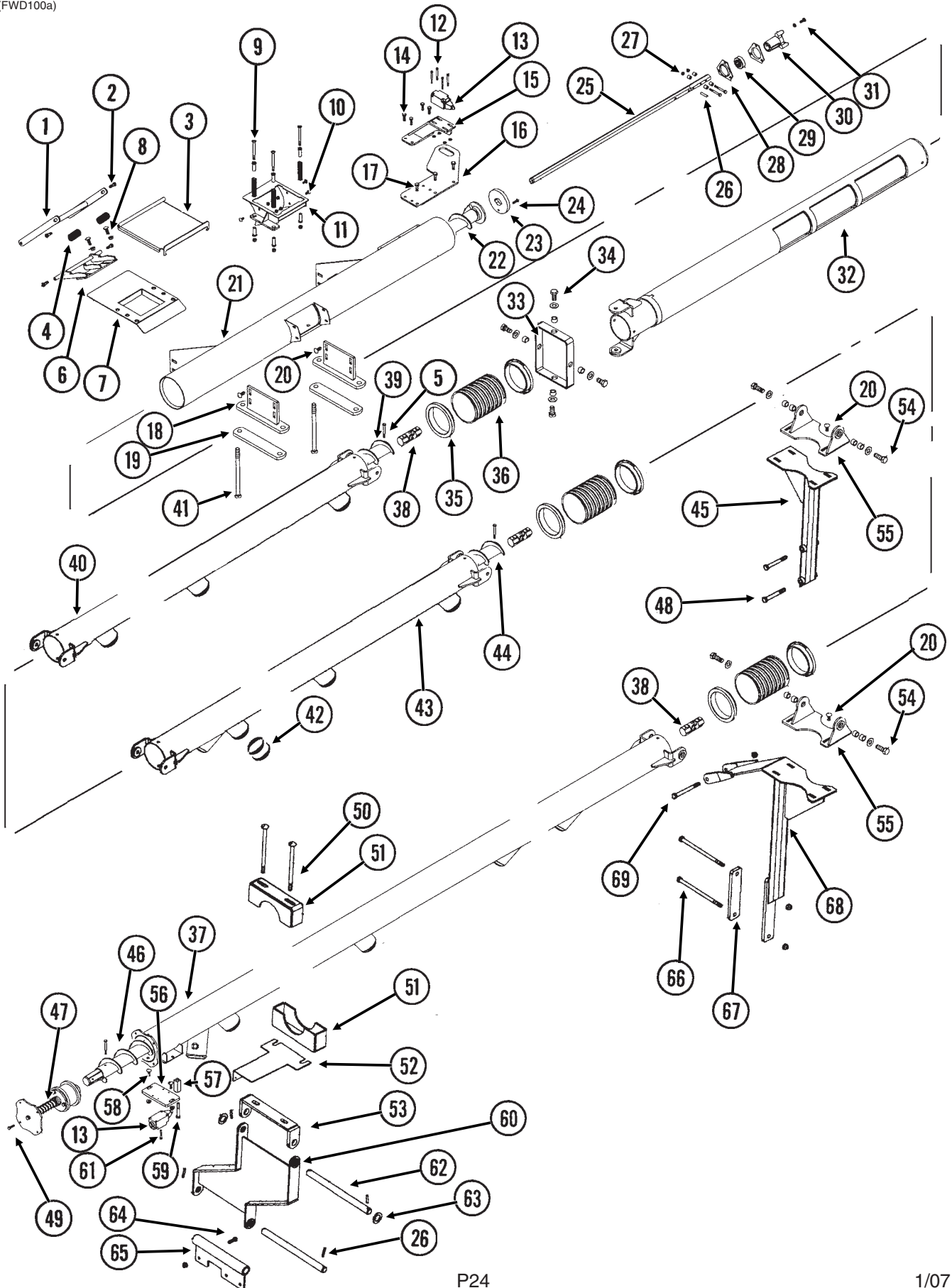
(Continued On Following Page)

WING AUGER ASSEMBLIES, 24 ROW 30" (SDS)

ITEM	PART NO.	QTY.	DESCRIPTION
51.	G10005	4	Hex Head Cap Screw, $\frac{5}{8}$ "-11 x 1 $\frac{3}{4}$ "
	G10205	4	Washer, $\frac{5}{8}$ " SAE
	G10107	4	Lock Nut, $\frac{5}{8}$ "-11
52.	GD16602	2	Brace
53.	GD16601	2	Brace
54.	G10008	4	Hex Head Cap Screw, $\frac{5}{8}$ "-11 x 2"
	GD3180-29	4	Sleeve, $\frac{7}{8}$ " O.D. x $\frac{5}{8}$ " I.D. x 1 $\frac{5}{16}$ "
55.	GA11684	2	Pivot Mount
56.	GD16680	2	Mount
57.	GD16701	2	Arm, $\frac{3}{4}$ " x $\frac{3}{4}$ " x 2"
58.	G10303	2	Carriage Bolt, $\frac{5}{16}$ "-18 x 1"
	G10620	2	Serrated Flange Nut, $\frac{5}{16}$ "-18
59.	G10049	2	Hex Head Cap Screw, $\frac{3}{8}$ "-16 x 2 $\frac{1}{2}$ "
	G10229	2	Lock Washer, $\frac{3}{8}$ "
60.	G10005	4	Hex Head Cap Screw, $\frac{5}{8}$ "-11 x 1 $\frac{3}{4}$ "
	G10107	4	Lock Nut, $\frac{5}{8}$ "-11
61.	G11167	4	Hex Socket Head Cap Screw, No. 10-32 x 1 $\frac{1}{2}$ ", Grade 8

WING AUGER ASSEMBLIES, 32 ROW 30" AND 36 ROW 30" (SDS)

(FWD100a)



WING AUGER ASSEMBLIES, 32 ROW 30" AND 36 ROW 30" (SDS)

ITEM	PART NO.	QTY.	DESCRIPTION
1.	GA11539	2	Link
2.	G10183	4	Hex Socket Head Set Screw, $\frac{5}{16}$ "-18 x $\frac{3}{8}$ "
3.	GA11538	2	Lid
4.	GD16983	4	Spring
5.	G10880	-	Hex Head Cap Screw, $\frac{1}{4}$ "-20 x 2 $\frac{1}{4}$ "
	G10110	-	Lock Nut, $\frac{1}{4}$ "-20, Grade B
6.	GA11540	2	Link Mount
7.	GA11541	2	Plate
8.	G10305	-	Carriage Bolt, $\frac{3}{8}$ "-16 x 1"
	G10622	-	Serrated Flange Nut, $\frac{3}{8}$ "-16
9.	G11197	6	Slotted Flat Head Machine Screw, $\frac{5}{16}$ "-18 x 3 $\frac{1}{2}$ "
	GD16634	12	Sleeve
	GD16982	6	Spring
	G11182	6	Lock Nut, $\frac{5}{16}$ "-18
10.	G10309	8	Carriage Bolt, $\frac{1}{4}$ "-20 x $\frac{5}{8}$ "
	G10621	8	Serrated Flange Nut, $\frac{1}{4}$ "-20
11.	GA11555	1	Transfer Chute, L.H.
	GA11556	-	Transfer Chute, R.H.
12.	G11205	8	Hex Socket Head Cap Screw, No. 10-32 x 2"
	G10243	8	Washer, No. 10 SAE
	G11206	8	Lock Nut, No. 10-32
13.		-	Limit Switch, See "Electrical Components (SDS Control Console)", Pages P142 And P143
14.	G10019	8	Hex Head Cap Screw, $\frac{5}{16}$ "-18 x 1"
	G10620	8	Serrated Flange Nut, $\frac{5}{16}$ "-18
15.	GA11548	2	Mount
16.	GD16672	2	Plate
17.	G10001	6	Hex Head Cap Screw, $\frac{3}{8}$ "-16 x 1"
	G10622	6	Serrated Flange Nut, $\frac{3}{8}$ "-16
18.	GA11532	4	Mount
19.	GD16620	4	Plate
20.	G10305	8	Carriage Bolt, $\frac{3}{8}$ "-16 x 1"
	G10622	8	Serrated Flange Nut, $\frac{3}{8}$ "-16
21.	GA11563	1	Outer Auger Tube, L.H.
	GA11562	-	Outer Auger Tube, R.H.
22.	GA12673	1	Auger Assembly, L.H. (Shown)
	GA12672	-	Auger Assembly, R.H.
	G10403	-	Hex Head Cap Screw, $\frac{1}{4}$ "-20 x 2 $\frac{1}{2}$ "
	G10110	-	Lock Nut, $\frac{1}{4}$ "-20, Grade B
	GD16674	-	Spacer
	GD16401	-	Auger Section, L.H.
	GD16400	-	Auger Section, R.H.
	GA11581	-	Hex Tube, 64"
23.	GD16675	2	Pad
24.	G11180	2	Hex Head Cap Screw, $\frac{1}{4}$ "-20 x 1"
	G10110	2	Lock Nut, $\frac{1}{4}$ "-20, Grade B
25.	GA11580	2	Shaft
26.	G10602	2	Spring Pin, $\frac{1}{4}$ " x 1 $\frac{1}{2}$ "

(Continued On Following Page)

WING AUGER ASSEMBLIES, 32 ROW 30" AND 36 ROW 30" (SDS)

ITEM	PART NO.	QTY.	DESCRIPTION
27.	G10880	4	Hex Head Cap Screw, 1/4"-20 x 2 1/4"
	GD11395	8	Bushing, 1/2"
	G10110	4	Lock Nut, 1/4"-20, Grade B
28.	G3400-01	4	Flangette
29.	G2100-03	2	Bearing, 7/8" Hex Bore, Spherical
30.	GB0283	2	Coupler
31.	G10043	6	Hex Head Cap Screw, 5/16"-18 x 3/4"
	G10232	6	Lock Washer, 5/16"
32.	GA11705	1	Inner Auger Tube, L.H. (Shown)
	GA11706	-	Inner Auger Tube, R.H.
33.	GD16556	2	Pivot Tube
34.	G10055	8	Hex Head Cap Screw, 5/8"-11 x 1 1/4"
	GD7805	8	Special Washer, 5/8", Hardened
	GB0218	8	Bushing, 21/32" I.D. x 7/8" O.D. x 19/32" Long
35.	GD16788	8	Hose Keeper
36.	GD16913	4	Hose, 5"
37.	GA11713	1	Auger Tube, L.H., 32 Row 30" (Shown)
	GA11712	-	Auger Tube, R.H., 32 Row 30"
	GA11715	1	Auger Tube, L.H., 36 Row 30" (Shown)
	GA11714	-	Auger Tube, R.H., 36 Row 30"
38.	GA11575	4	U-Joint
39.	GA11723	1	Auger Assembly, L.H. (Shown)
	GA11724	-	Auger Assembly, R.H.
	G10403	-	Hex Head Cap Screw, 1/4"-20 x 2 1/2"
	G10110	-	Lock Nut, 1/4"-20, Grade B
	GD16401	-	Auger Section, L.H.
	GD16400	-	Auger Section, R.H.
	GD16385-07	-	Hex Tube, 67 1/4"
	40.	GA11709	1
41.	GA11708	-	Auger Tube, R.H.
	G10046	8	Hex Head Cap Screw, 5/8"-11 x 5"
42.	G10230	8	Lock Washer, 5/8"
	G10104	8	Hex Nut, 5/8"-11
	G11000	-	Cap, 3"
43.	GA11711	1	Auger Tube, L.H. (Shown)
	GA11710	-	Auger Tube, R.H.
44.	GA11721	1	Auger Assembly, L.H. (Shown)
	GA11722	-	Auger Assembly, R.H.
	G10403	-	Hex Head Cap Screw, 1/4"-20 x 2 1/2"
	G10110	-	Lock Nut, 1/4"-20, Grade B
	GD16401	-	Auger Section, L.H.
	GD16400	-	Auger Section, R.H.
	GD16385-08	-	Hex Tube, 112"
	45.	GA11729	2

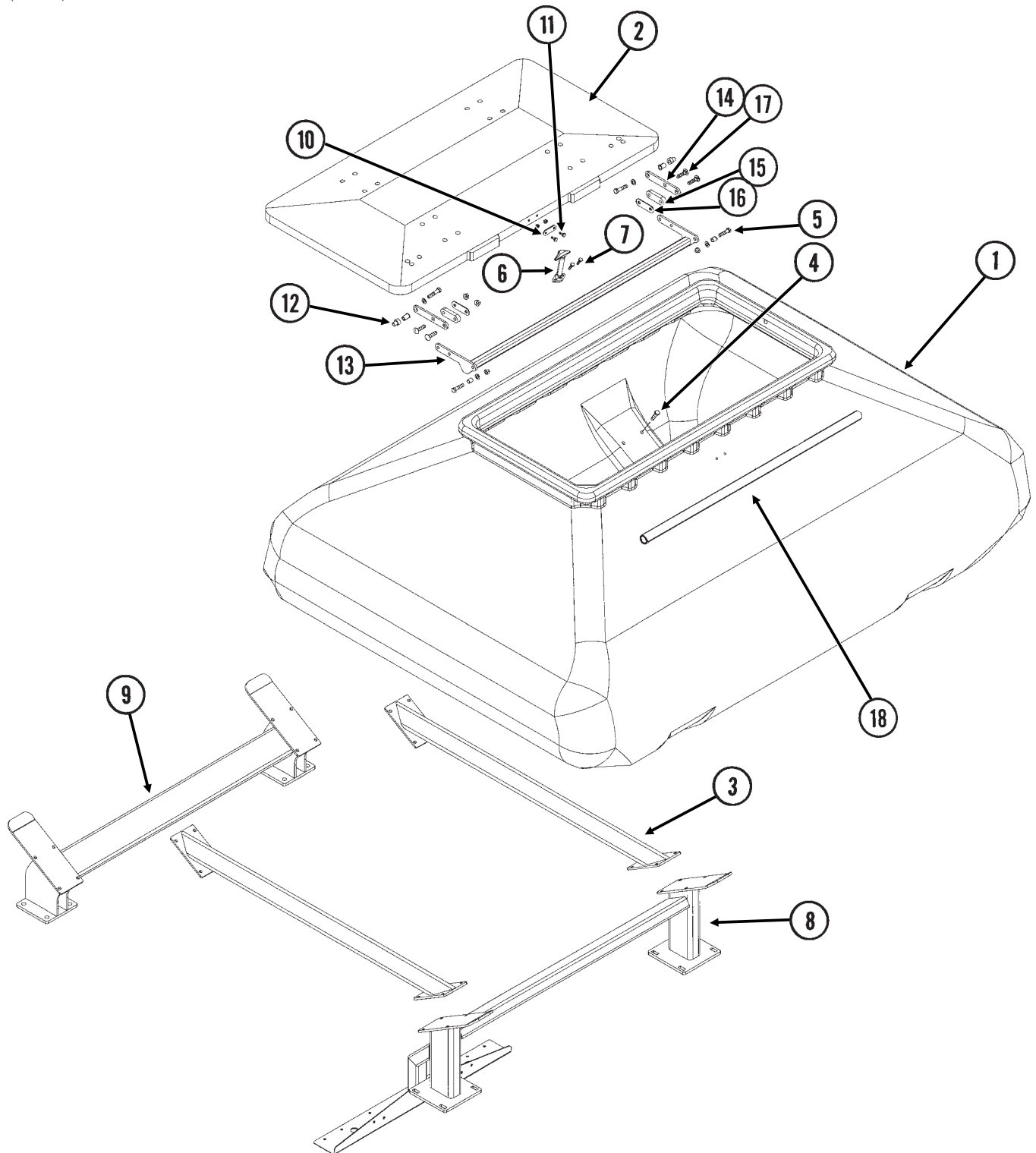
(Continued On Following Page)

WING AUGER ASSEMBLIES, 32 ROW 30" AND 36 ROW 30" (SDS)

ITEM	PART NO.	QTY.	DESCRIPTION
46.	GA11719	1	Auger Assembly, L.H., 32 Row 30" (Shown)
	GA11720	-	Auger Assembly, R.H., 32 Row 30"
	GA11717	1	Auger Assembly, L.H., 36 Row 30" (Shown)
	GA11718	-	Auger Assembly, R.H., 36 Row 30"
	G10403	-	Hex Head Cap Screw, 1/4"-20 x 2 1/2"
	G10110	-	Lock Nut, 1/4"-20, Grade B
	GD16401	-	Auger Section, L.H.
	GD16400	-	Auger Section, R.H.
	GA11725	-	Hex Tube, 155 3/8", 32 Row 30"
	GA11726	-	Hex Tube, 162 3/8", 32 Row 30"
	GA11728	-	Hex Tube, 222 3/8", 36 Row 30"
	GA11727	-	Hex Tube, 215 3/8", 36 Row 30"
47.	GA11778	2	Auger Stop
48.	G10035	4	Hex Head Cap Screw, 1/2"-13 x 4"
	G10111	4	Lock Nut, 1/2"-13
49.	G10064	8	Hex Head Cap Screw, 1/4"-20 x 1"
	G10110	8	Lock Nut, 1/4"-20, Grade B
50.	G11207	8	Carriage Bolt, 1/2"-13 x 8 1/2"
	G10216	8	Washer, 1/2" USS
	G10111	8	Lock Nut, 1/2"-13
51.	GA11733	4	Clamp
52.	GD16972	1	Mount, L.H. Only
53.	GA11731	2	Support
54.	G10008	4	Hex Head Cap Screw, 5/8"-11 x 2"
	GD3180-29	4	Sleeve, 7/8" O.D. x 5/8" I.D. x 1 5/16"
55.	GA11684	2	Pivot Mount
56.	GD16680	2	Mount
57.	GD16701	2	Arm, 3/4" x 3/4" x 2"
58.	G10303	2	Carriage Bolt, 5/16"-18 x 1"
	G10620	2	Serrated Flange Nut, 5/16"-18
59.	G10049	2	Hex Head Cap Screw, 3/8"-16 x 2 1/2"
	G10229	2	Lock Washer, 3/8"
60.	GA11732	2	Support
61.	G11167	4	Hex Socket Head Cap Screw, No. 10-32 x 1 1/2", Grade 8
62.	GD16973	4	Pin, 1" x 13 1/2"
63.	G10082	8	Washer, 1" SAE
64.	G10004	-	Hex Head Cap Screw, 3/8"-16 x 1 1/4"
	G10622	-	Serrated Flange Nut, 3/8"-16
65.	GA11730	2	Support
66.	G10909	4	Hex Head Cap Screw, 1/2"-13 x 9"
	G10111	4	Lock Nut, 1/2"-13
67.	GD16957	2	Bracket
68.	GA11716	2	Hook Plate Mount
69.	G10348	2	Hex Head Cap Screw, 1/2"-13 x 5"
	G10111	2	Lock Nut, 1/2"-13

BULK SEED HOPPER ASSEMBLY (SDS)

(FWD93a)

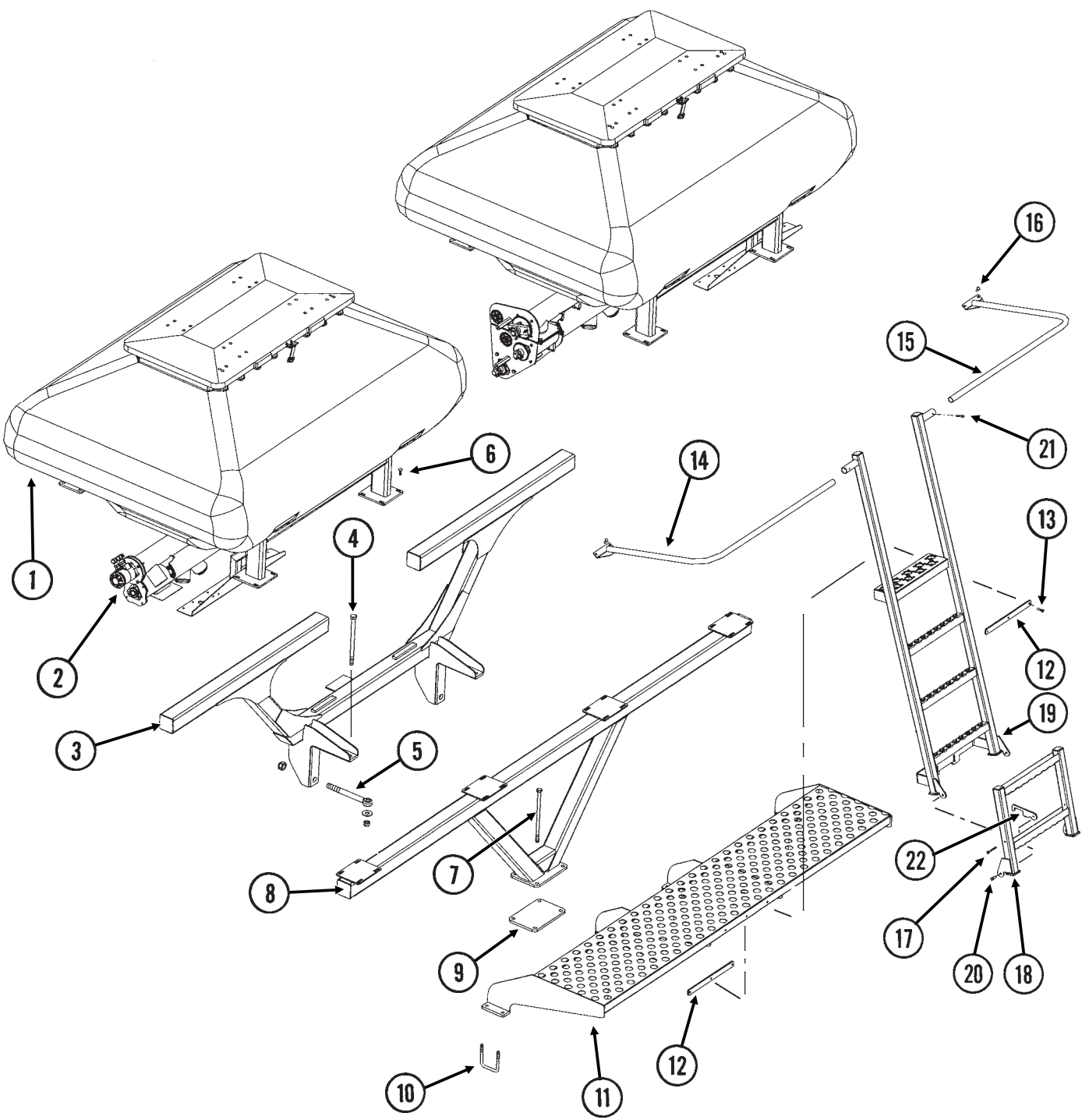


BULK SEED HOPPER ASSEMBLY (SDS)

ITEM	PART NO.	QTY.	DESCRIPTION
		(Per Assy.)	
1.	GD17308	1	Hopper, R.H.
	GD17309	-	Hopper, L.H.
2.	GA11579	1	Lid
3.	GA11381	2	Hopper Stiffener
4.	G10003	16	Hex Head Cap Screw, 3/8"-16 x 1 1/2"
	G10203	16	Washer, 3/8" SAE
	G10108	16	Lock Nut, 3/8"-16
5.	G10003	2	Hex Head Cap Screw, 3/8"-16 x 1 1/2"
	GD11963-03	2	Tube, 1/2" O.D. x 25/64" I.D. x 9/16"
	G10203	2	Washer, 3/8" SAE
	G10108	2	Lock Nut, 3/8"-16
6.	GA11635	1	Latch Cover
7.	G10064	2	Hex Head Cap Screw, 1/4"-20 x 1"
	G10211	2	Washer, 1/4" SAE
	G10110	2	Lock Nut, 1/4"-20, Grade B
8.	GA11617	1	Rear Mount, L.H.
	GA11616	-	Rear Mount, R.H.
9.	GA11615	1	Front Mount
10.	GD16979	1	Latch
11.	G10020	2	Hex Head Cap Screw, 1/4"-20 x 5/8"
	G10110	2	Lock Nut, 1/4"-20, Grade B
12.	G10047	2	Hex Head Cap Screw, 3/8"-16 x 1 3/4"
	G10203	2	Washer, 3/8" SAE
	GD16694	2	Bushing
	G11226	2	Tee Nut, 3/8"-16
13.	GA11587	1	Hinge
14.	GD16692	2	Bar
15.	GD16693	2	Spacer
16.	GD16691	2	Shim
17.	G10301	4	Carriage Bolt, 3/8"-16 x 1 1/2"
	G10622	4	Serrated Flange Nut, 3/8"-16
18.	GD13575-05	-	Tube, 1" x 43" (If Applicable)

BULK SEED HOPPER CATWALK (SDS)

(FWD97)

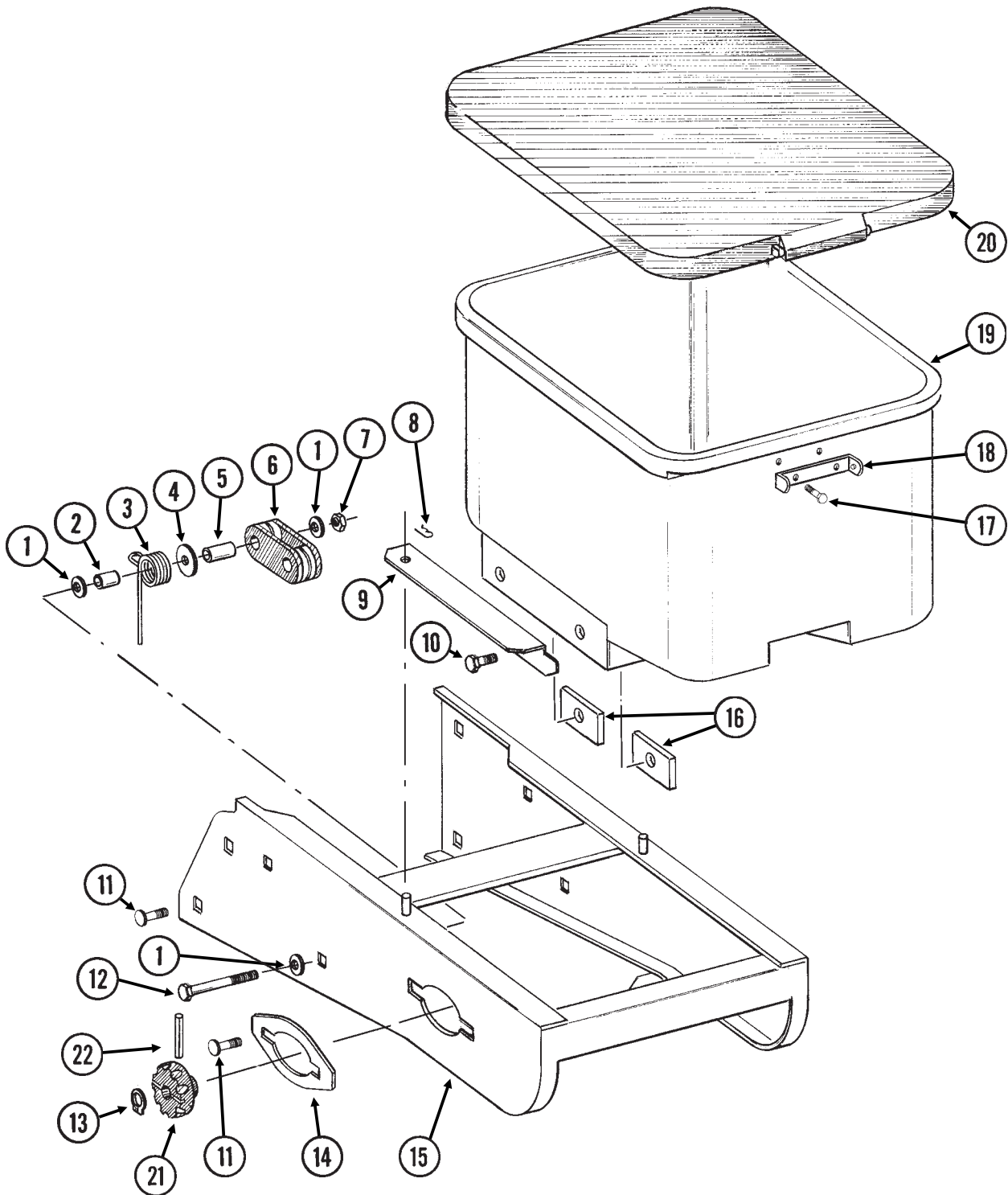


BULK SEED HOPPER CATWALK (SDS)

ITEM	PART NO.	QTY.	DESCRIPTION
1.		-	See "Bulk Seed Hopper Assembly (SDS)", Pages P28 And P29
2.		-	See "Center Auger Assemblies (SDS)", Pages P18 And P19
3.	GA11355	1	Hopper Mount, Front, 24 Row 30"
	GA11536	-	Hopper Mount, Front, 32 Row 30" And 36 Row 30"
4.	G10541	1	Hex Head Cap Screw, 3/4"-10 x 11"
	G10218	1	Washer, 3/4" USS
	G10112	1	Lock Nut, 3/4"-10
5.	GD15283	1	Eye Bolt, 1"-14 x 10"
	G11108	1	Lock Nut, 1"-14
6.	G10599	4	Carriage Bolt, 3/8"-16 x 1 1/4", 24 Row 30"
	G10301	-	Carriage Bolt, 3/8"-16 x 1 1/2", 32 Row 30" And 36 Row 30"
	G10622	4	Serrated Flange Nut, 3/8"-16
7.	G11122	4	Hex Head Cap Screw, 5/8"-11 x 12", 24 Row 30"
	GA11775	-	Special Bolt, 5/8"-11 x 18 1/2", 32 Row 30" And 36 Row 30"
	G10205	4	Washer, 5/8" SAE
	G10107	4	Lock Nut, 5/8"-11
8.	GA11356	1	Hopper Mount, Rear, 24 Row 30"
	GA11537	-	Hopper Mount, Rear, 32 Row 30" And 36 Row 30"
9.	GD16530	1	Plate
10.	GD16356	4	U-Bolt, 3 1/2" x 3 1/2" x 1/2"-13
	G10228	8	Lock Washer, 1/2"
	G10102	8	Hex Nut, 1/2"-13
11.	GA11638	1	Catwalk
12.	GD16778	2	Bracket
13.	G10171	3	Hex Head Cap Screw, 5/16"-18 x 1 1/4"
	G10109	3	Lock Nut, 5/16"-18, Grade 8
14.	GA11639	1	Railing, L.H.
15.	GA11640	1	Railing, R.H.
16.	G10303	4	Carriage Bolt, 5/16"-18 x 1"
	G10219	4	Washer, 5/16" USS
	G10109	4	Lock Nut, 5/16"-18, Grade 8
17.	G10403	1	Hex Head Cap Screw, 1/4"-20 x 2 1/2"
	G10110	1	Lock Nut, 1/4"-20, Grade B
18.	GA11637	1	Lower Ladder
19.	GA11636	1	Ladder
20.	G10001	2	Hex Head Cap Screw, 3/8"-16 x 1"
	G10108	2	Lock Nut, 3/8"-16
21.	G10040	2	Hex Head Cap Screw, 1/4"-20 x 1 3/4"
	G10110	2	Lock Nut, 1/4"-20, Grade B
22.	GD16779	1	Hook

GRANULAR CHEMICAL HOPPER AND HOPPER PANEL EXTENSION

(METR14d)

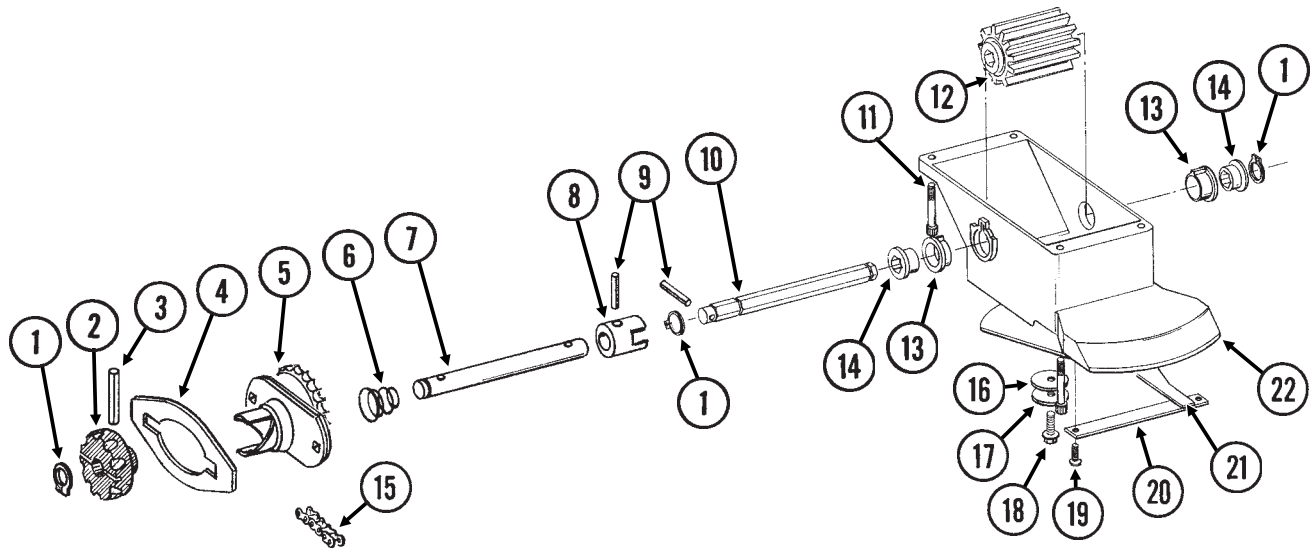


GRANULAR CHEMICAL HOPPER AND HOPPER PANEL EXTENSION

ITEM	PART NO.	QTY. (Per Row)	DESCRIPTION
1.	G10210	3	Washer, 3/8" USS
2.	GD2971-10	1	Sleeve, 9/16" Long
3.	GD11219	1	Spring
4.	G10201	1	Special Washer, 3/8" x 1 1/2" O.D.
5.	GD1026	1	Sleeve, 1 3/16" Long
6.	GD11962	1	Idler
7.	G10108	1	Lock Nut, 3/8"-16
8.	G10670	2	Hair Pin Clip, No. 3
9.	GD1059L	1	Support, L.H. (Shown)
	GD1059R	1	Support, R.H.
10.	G10002	4	Hex Head Cap Screw, 3/8"-16 x 3/4"
	G10229	4	Lock Washer, 3/8"
11.	G10312	8	Carriage Bolt, 5/16"-18 x 3/4"
	G10620	8	Serrated Flange Nut, 5/16"-18
12.	G10325	1	Hex Head Cap Screw, 3/8"-16 x 2 3/4"
13.	G10567	3	External Retaining Ring, 5/8"
14.	GD11305	1	Plate
15.	A10759	1	Hopper Panel Extension (Non-Stock Item) (Sub Wholegoods Order Code 700-01099)
16.	GD11424	4	Block
17.	G10023	2	Hex Head Cap Screw, 1/4"-20 x 3/4"
	G10621	2	Serrated Flange Nut, 1/4"-20
18.	GD1060	1	Hinge
19.	GA8371	1	Hopper
20.	GA4444	1	Lid
21.	GD11239	1	Knob
22.	G10602	1	Spring Pin, 1/4" x 1 1/2"

GRANULAR CHEMICAL METER AND METER DRIVE

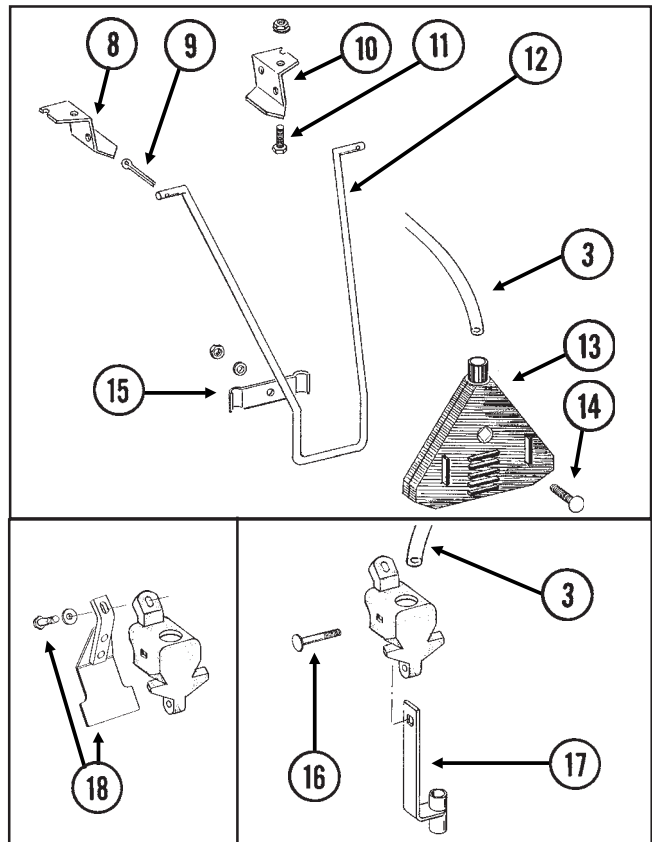
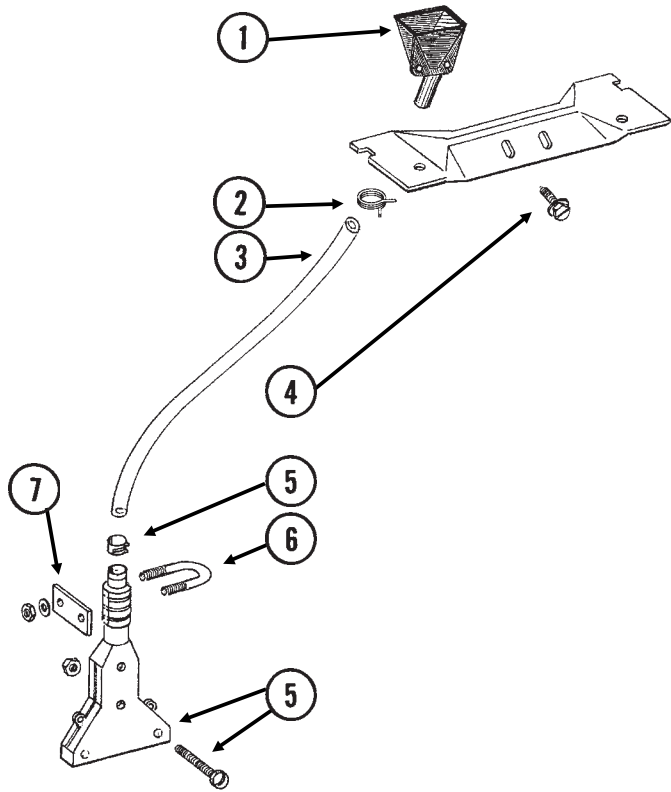
RUA051/RUB028(RU91a)



ITEM	PART NO.	QTY. (Per Row)	DESCRIPTION
1.	G10567	3	External Retaining Ring, $\frac{5}{8}$ "
2.	GD11239	1	Knob
3.	G10602	1	Spring Pin, $\frac{1}{4}$ " x $1 \frac{1}{2}$ "
4.		-	See "Granular Chemical Hopper And Hopper Panel Extension", Pages P32 And P33
5.	GA8364	1	Sprocket And Bearing, Drive Clutch, 24 Tooth
6.	GD11413	1	Spring
7.	GD11240	1	Shaft
8.	GB0278	1	Coupler
9.	G10546	2	Spring Pin, $\frac{3}{16}$ " x $1 \frac{1}{4}$ "
10.	GD11297	1	Shaft
11.	G10921	4	Hex Socket Head Cap Screw, No. 10-24 x $\frac{7}{8}$ "
	G10257	4	Lock Washer, No. 10
12.	GD7148	1	Feed Roller, Hex Bore
13.	GB0115	2	Bearing
14.	GD7258	2	Hex Bushing
15.	G3303-114	1	Chain, No. 41, 114 Pitch Including Connector Link
	GR0196	1	Connector Link, No. 41
16.	G10660	1	Wave Washer, $\frac{1}{2}$ "
17.	G10209	1	Washer, $\frac{1}{4}$ " USS
18.	G10570	1	Slotted Hex Self-Tapping Screw, $\frac{1}{4}$ "-20 x $\frac{3}{4}$ "
19.	G11073	2	Slotted Hex Self-Tapping Screw, No. 10 x $\frac{3}{8}$ "
20.	GD1061	1	Support Strap
21.	GD1063	1	Metering Gate
22.	GB0116	1	Granular Housing
A.	GA8326	-	Granular Chemical Meter Complete (Items 1, 9, 10, 12-14 And 16-22)

GRANULAR CHEMICAL BANDING OPTIONS

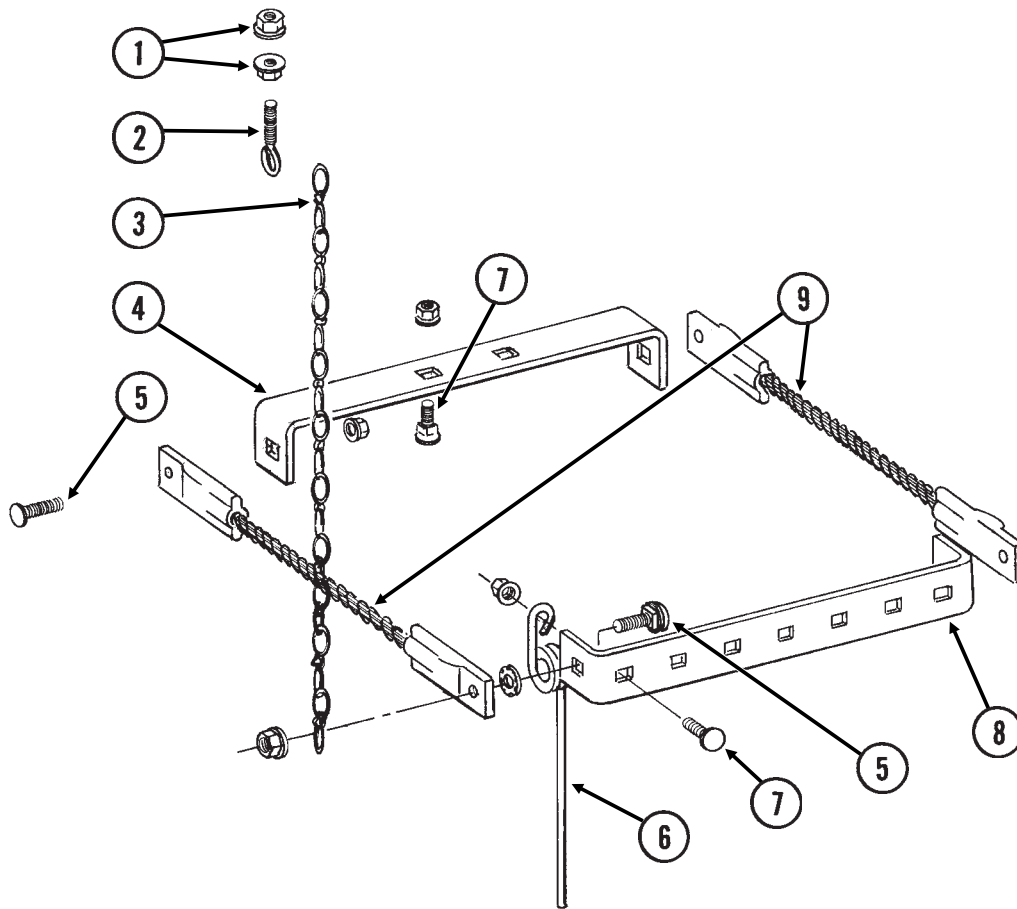
RUA061/RUA073(RU101mm/RU83m)



ITEM	PART NO.	QTY.	DESCRIPTION
1.	GD2423	1	Funnel
2.	G11209	1	Wire Hose Clamp, 3/4"
3.	GD2947	1	Hose, 7/16" x 28"
4.	G10523	2	Slotted Pan Head Self-Tapping Screw, No. 10 x 1/2"
5.	GA6907	1	Slope-Compensating Bander W/Hardware (4 1/2" Band Width)
	G10864	1	Uni-Clamp
	G10757	2	Pan Head Screw, No. 10-32 x 1 1/4"
	G10758	2	Hex Nut, No. 10-32
6.	GD10963	1	U-Bolt, 1 1/2" x 1 5/16" x 1/4"-20
	G10209	2	Washer, 1/4" USS
	G10110	2	Lock Nut, 1/4"-20, Grade B
7.	GD10984	1	Spacer
8.	GD1115L	-	Hanger Bracket, L.H.
9.	G10452	-	Cotter Pin, 1/8" x 1/2"
10.	GD1115R	-	Hanger Bracket, R.H.
11.	G10310	-	Carriage Bolt, 1/4"-20 x 3/4", Grade 2
	G10227	-	Lock Washer, 1/4"
	G10103	-	Hex Nut, 1/4"-20
12.	GD1116	-	Hanger
13.	GA2075	-	Diffuser, 14" Band
14.	G10306	-	Carriage Bolt, 3/8"-16 x 2"
	G10229	-	Lock Washer, 3/8"
	G10101	-	Hex Nut, 3/8"-16
15.	GD1118	-	Clamp
16.	G10315	1	Carriage Bolt, 1/2"-13 x 2 1/2" (Replaces Existing 1/2" x 2 1/4" Hardware)
17.	GA6741	1	Bracket (Straight Drop In-Furrow)
18.	G1K385	-	Bander Shield Kit W/Hardware And Instruction
	G10003	1	Hex Head Cap Screw, 3/8"-16 x 1 1/2"
	GD14659	1	Special Washer, 3/8", Hardened

SPRING TOOTH INCORPORATOR

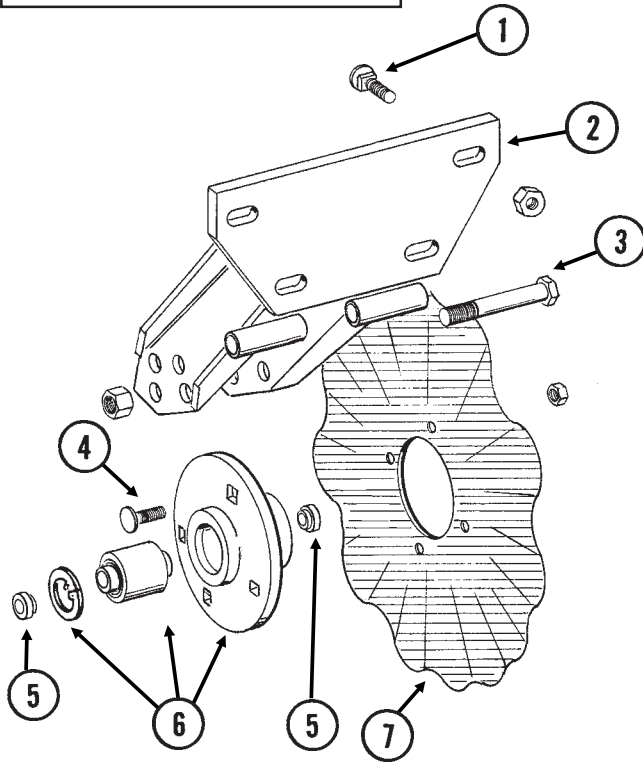
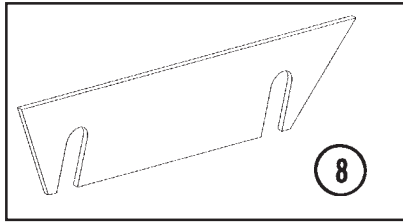
RUA055(RU95)



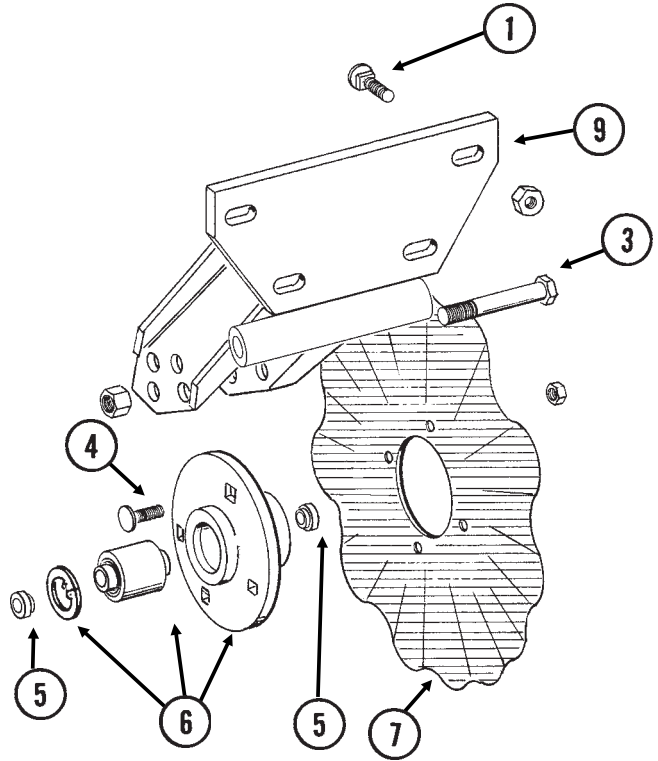
ITEM	PART NO.	QTY. (Per Row)	DESCRIPTION
1.	G10621	4	Serrated Flange Nut, 1/4"-20
2.	GD2460	2	Eyebolt, 1/4"-20
3.	G3305-01	4	Twin Loop Chain, 9 Links
4.	GD1143	1	Front Bracket
5.	G10305	4	Carriage Bolt, 3/8"-16 x 1"
	G10529	4	External Tooth Lock Washer, 3/8"
	G10622	4	Serrated Flange Nut, 3/8"-16
6.	GD1145	7	Spring Tooth
7.	G10308	9	Carriage Bolt, 3/8"-16 x 3/4"
	G10622	9	Serrated Flange Nut, 3/8"-16
8.	GD1144	1	Rear Bracket
9.	GA2094	2	Cable Assembly

ROW UNIT MOUNTED NO TILL COULTER

(D14398/RU102c/RU152)



STYLE A

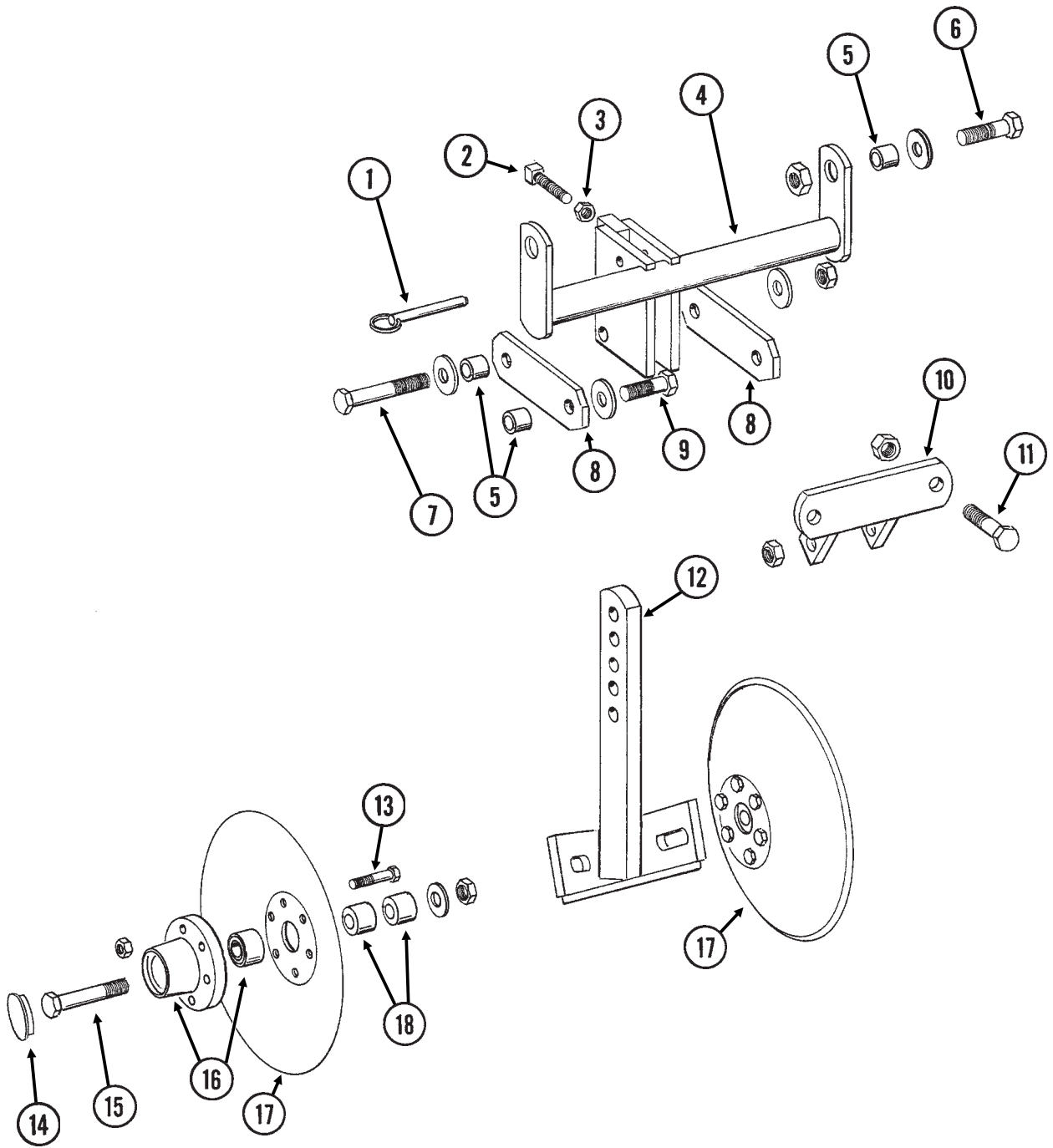


STYLE B

ITEM	PART NO.	QTY.	DESCRIPTION
		(Per Row)	
1.	G10574	4	Carriage Bolt, 1/2"-13 x 1 1/4"
	G10111	4	Lock Nut, 1/2"-13
2.	GA5625	1	Arm (Style A)
3.	G10036	1	Hex Head Cap Screw, 5/8"-11 x 4"
	G10107	1	Lock Nut, 5/8"-11
4.	G10574	4	Carriage Bolt, 1/2"-13 x 1 1/4"
	G10111	4	Lock Nut, 1/2"-13
5.	GD11677	2	Adapter
6.	GA8641	1	Hub W/Bearing And Retaining Ring
	GA8603	-	Bearing, Double Row
	GD11652	-	Retaining Ring, 2 7/16"
7.	GD7803	-	Disc Blade, Fluted, 1", 8 Flutes (Shown)
	GD7804	-	Disc Blade, Bubbled, 1"
	GD9254	-	Disc Blade, Fluted, 3/4", 13 Flutes
8.	GD14398	-	Spacer
9.	GA11520	1	Arm (Style B)

ROW UNIT MOUNTED DISC FURROWER

RUA059/RUA058(RU99/RU98g)

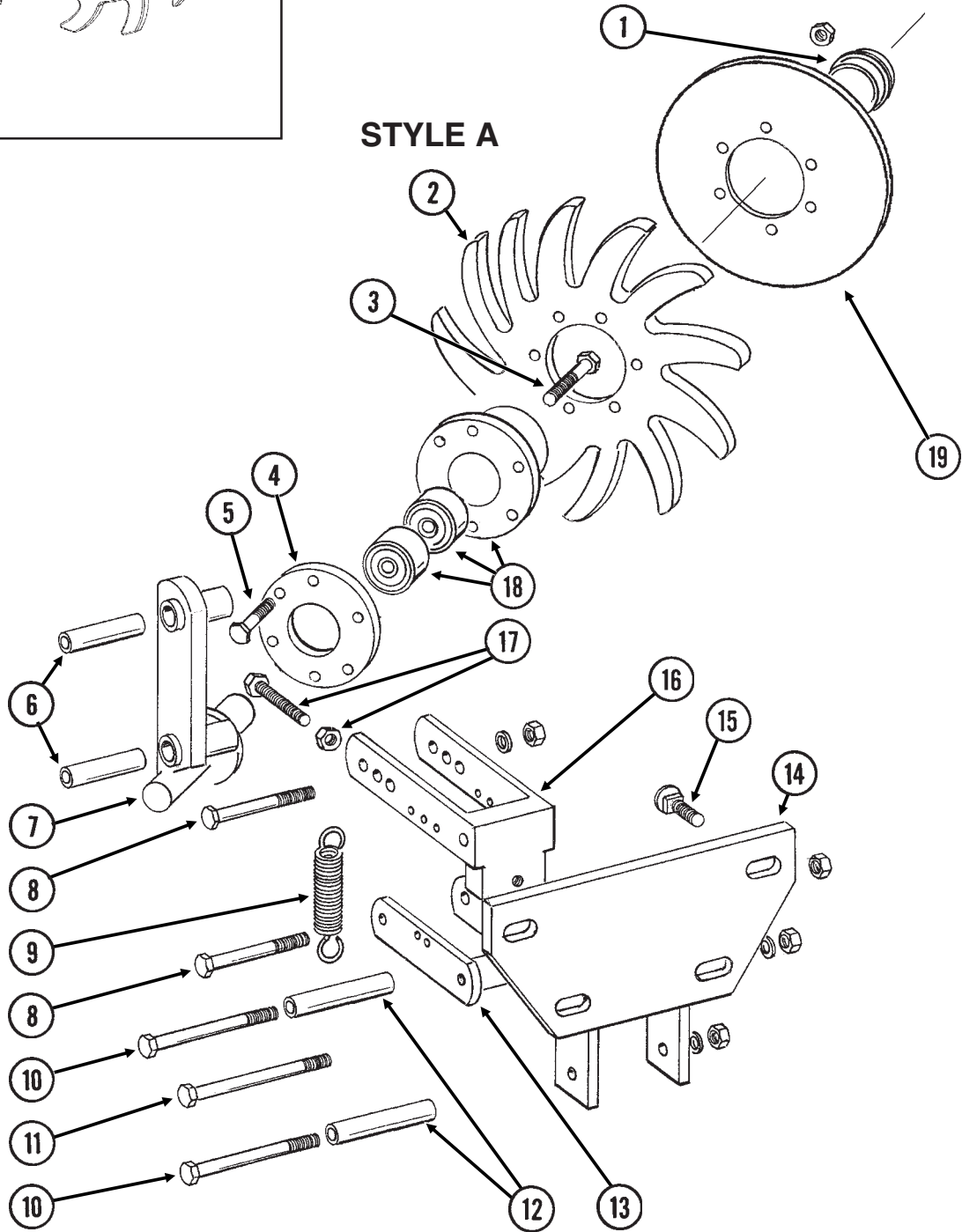
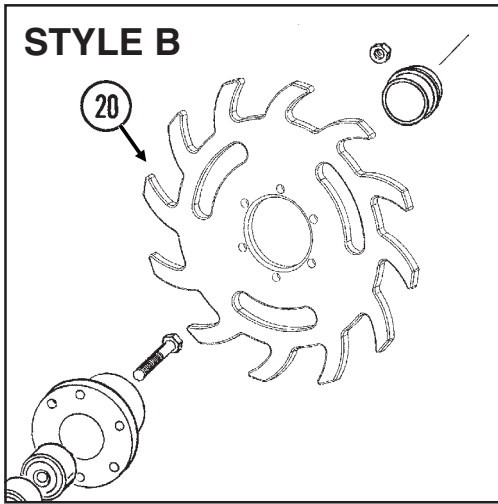


ROW UNIT MOUNTED DISC FURROWER

ITEM	PART NO.	QTY. (Per Row)	DESCRIPTION
1.	G10536	1	Detent Pin, 1/2" x 2 1/2" Grip
2.	G10597	1	Square Head Set Screw, 5/8"-11 x 2 1/4"
3.	G10503	1	Hex Jam Nut, 5/8"-11, Grade 2
4.	GA5719	1	Mounting Bracket
5.	GD7889	6	Bushing, 1" O.D. x 9/16" I.D. x 7/16" Long
6.	G10039	2	Hex Head Cap Screw, 1/2"-13 x 1 3/4"
	GD14674	2	Special Washer, 1/2", Hardened
	G10111	2	Lock Nut, 1/2"-13
7.	G10585	1	Hex Head Cap Screw, 1/2"-13 x 3 1/4"
	G10216	2	Washer, 1/2" USS
	G10111	1	Lock Nut, 1/2"-13
8.	GD7890	2	Link
9.	G10017	2	Hex Head Cap Screw, 1/2"-13 x 1 1/2"
	G10216	2	Washer, 1/2" USS
	G10111	2	Lock Nut, 1/2"-13
10.	GA5715	1	Anchor
11.	G10017	2	Hex Head Cap Screw, 1/2"-13 x 1 1/2"
	G10111	2	Lock Nut, 1/2"-13
12.	GA5718	1	Support Arm
13.	G10572	6	Truss Head Slotted Machine Screw, 5/16"-18 x 7/8"
	G10106	6	Hex Nut, 5/16"-18
14.	GD1132	2	Dust Cap
15.	G10318	2	Hex Head Cap Screw, 5/8"-11 x 4 1/2"
	GD7805	2	Special Washer, 5/8", Hardened
	G10107	2	Lock Nut, 5/8"-11
16.	GA5654	2	Hub W/Bearings
	GA2014	-	Bearing
17.	GD7823	-	Disc Blade, Solid, 12" (Shown)
	GD8307	-	Disc Blade, Notched, 12"
18.	GD7817-01	2	Spacer, 1 1/16" I.D. x 3/4" Long
	GD7817-04	2	Spacer, 1 1/16" I.D. x 1/2" Long

ROW UNIT MOUNTED RESIDUE WHEEL

(RU103dd/RU103d)



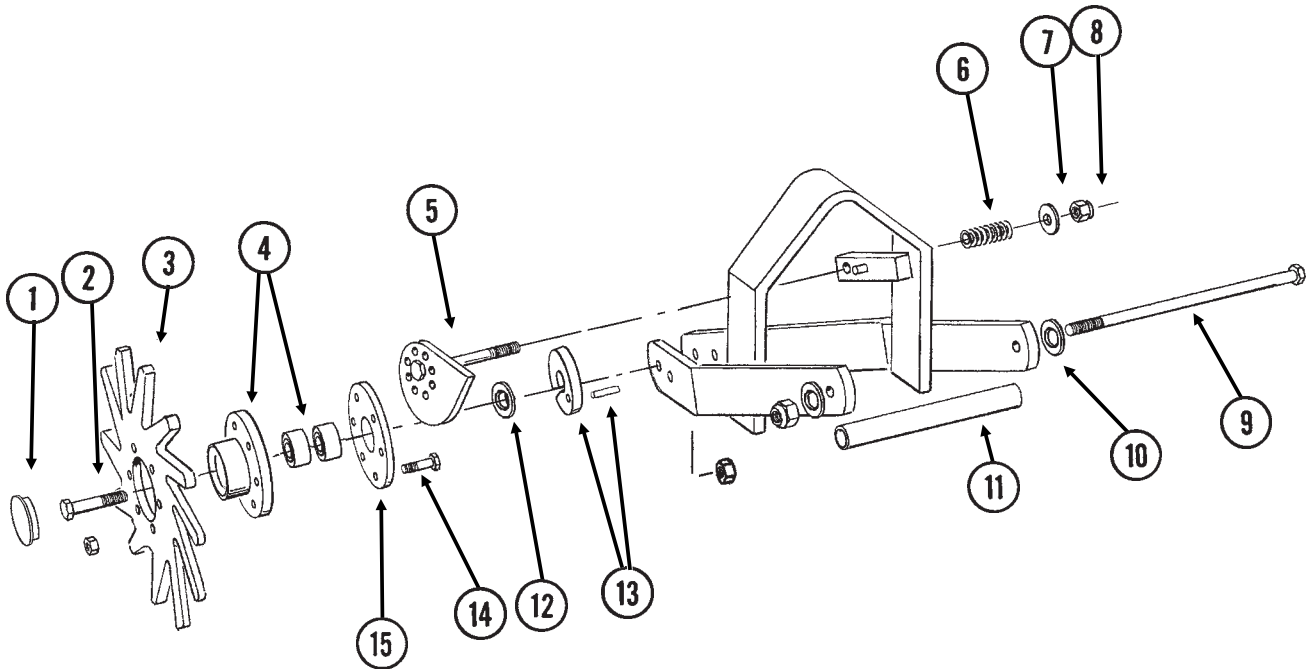
ROW UNIT MOUNTED RESIDUE WHEEL

ITEM	PART NO.	QTY. (Per Row)	DESCRIPTION
1.	GD1132	1	Dust Cap
2.	GD10552	1	Wheel, 12 Tine, $\frac{3}{8}$ " x 12"
3.	G10006	1	Hex Head Cap Screw, $\frac{5}{8}$ "-11 x 2 $\frac{1}{4}$ "
4.	GD9724	1	Backing Plate
5.	G10133	6	Hex Head Cap Screw, $\frac{5}{16}$ "-18 x 1 $\frac{1}{2}$ "
	G10109	6	Lock Nut, $\frac{5}{16}$ "-18, Grade 8
6.	GD9720	2	Spacer, $\frac{1}{2}$ " x 2 $\frac{3}{16}$ " Long
7.	GA6838	1	Wheel Mount
8.	G10033	2	Hex Head Cap Screw, $\frac{1}{2}$ "-13 x 3 $\frac{1}{2}$ "
	G10228	2	Lock Washer, $\frac{1}{2}$ "
	G10102	2	Hex Nut, $\frac{1}{2}$ "-13
9.	GD5857	2	Spring
10.	G10045	2	Hex Head Cap Screw, $\frac{1}{2}$ "-13 x 4 $\frac{1}{2}$ "
	G10228	2	Lock Washer, $\frac{1}{2}$ "
	G10102	2	Hex Nut, $\frac{1}{2}$ "-13
11.	G10348	1	Hex Head Cap Screw, $\frac{1}{2}$ "-13 x 5" (Lockup Bolt)
	G10111	1	Lock Nut, $\frac{1}{2}$ "-13
12.	GD9715	2	Spacer, $\frac{1}{2}$ " x 3" Long
13.	GA6834	1	Lower Link
14.	GA6832	1	Mount
15.	G10574	4	Carriage Bolt, $\frac{1}{2}$ "-13 x 1 $\frac{1}{4}$ "
	G10111	4	Lock Nut, $\frac{1}{2}$ "-13
16.	GA6833	1	Upper Link
17.	G10371	1	Hex Head Cap Screw, $\frac{1}{2}$ "-13 x 3", Full Thread
	G10501	1	Hex Jam Nut, $\frac{1}{2}$ "-13, Grade 2
18.	GA5654	1	Hub W/Bearings
	GA2014	-	Bearing
19.	GD12534	-	Cover
20.	GB0387	1	Wheel, 12 Tine, $\frac{3}{8}$ " x 12"
A.	GA7446	-	Wheel Assembly, 12 Tine, R.H. (Items 2, 4, 5 And 18)
B.	GA12236	-	Wheel Assembly, 12 Tine, R.H. (Items 4, 5, 18 And 20)

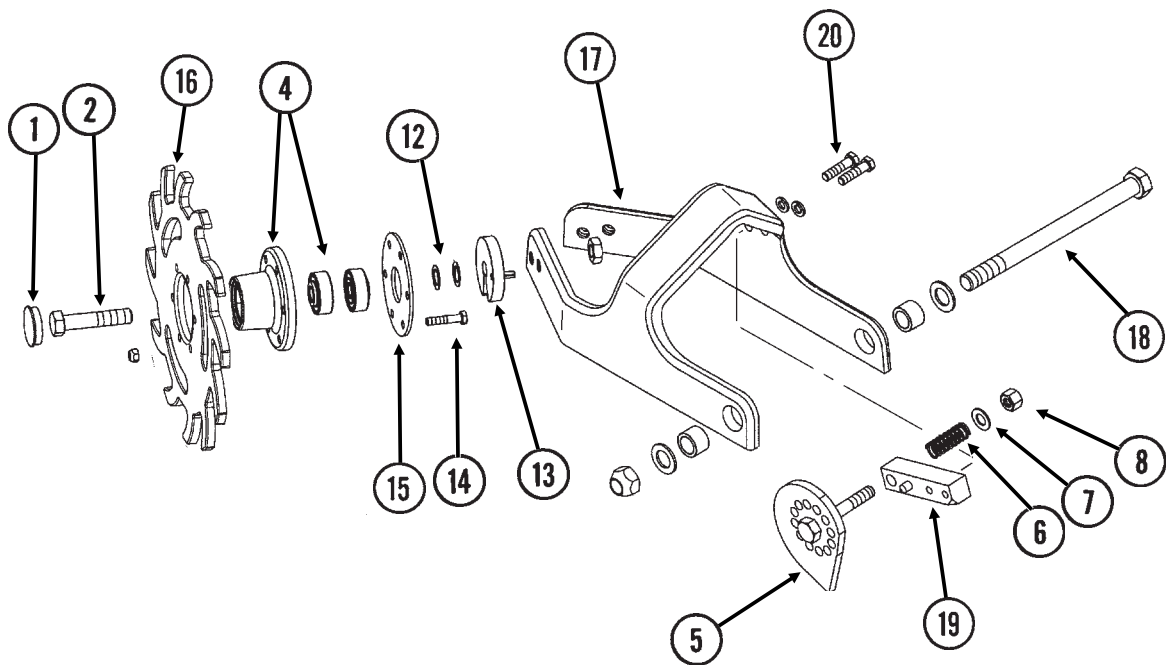
COULTER MOUNTED RESIDUE WHEELS

(RU104uuu/RU153)

STYLE A - Used With Style A Row Unit Mounted No Till Coulter



STYLE B - Used With Style B Row Unit Mounted No Till Coulter

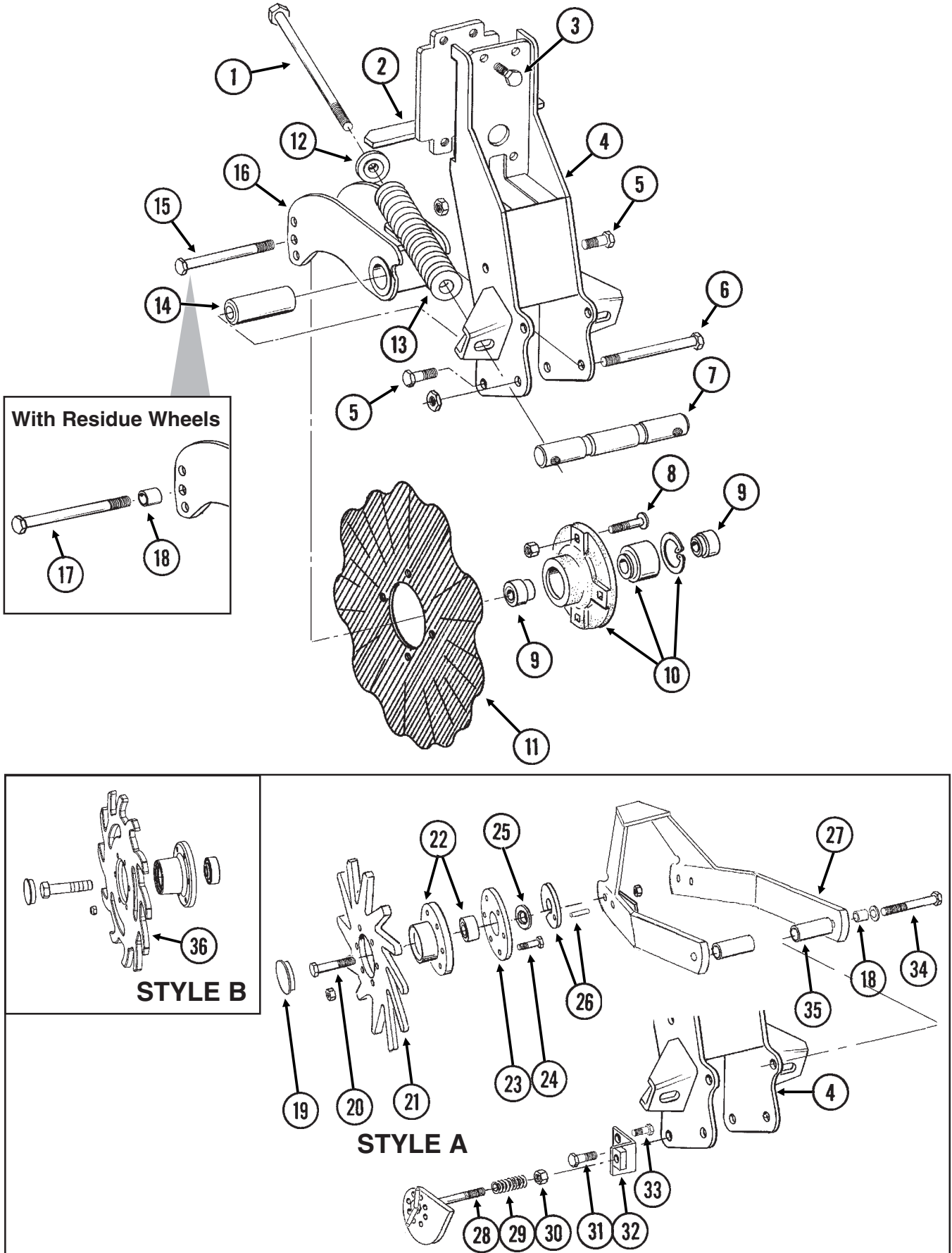


COULTER MOUNTED RESIDUE WHEELS

ITEM	PART NO.	QTY. (Per Row)	DESCRIPTION
1.	GD1132	2	Dust Cap
2.	G10010	2	Hex Head Cap Screw, $\frac{5}{8}$ "-11 x 3"
	G10503	2	Hex Jam Nut, $\frac{5}{8}$ "-11, Grade 2
3.	GD10552	2	Wheel, 12 Tine, $\frac{3}{8}$ " x 12"
4.	GA5654	2	Hub W/Bearings
	GA2014	-	Bearing
5.	GA7412	1	Cam
6.	GD10519	1	Spring
7.	G10206	1	Washer, $\frac{1}{2}$ " SAE
8.	G10974	1	Lock Nut W/Nylon Insert, $\frac{1}{2}$ "-13
9.	G11098	1	Hex Head Cap Screw, $\frac{1}{2}$ "-13 x 9 $\frac{1}{2}$ ", Grade 8
	GD14674	2	Special Washer, $\frac{1}{2}$ ", Hardened
	G10974	1	Lock Nut W/Nylon Insert, $\frac{1}{2}$ "-13
10.	GA7271	1	Mount
11.	GD10526	1	Sleeve, 7 $\frac{1}{2}$ "
12.	G10213	2-4	Machine Bushing, $\frac{5}{8}$ " (.030" Thick)
13.	GA8760	2	Weed Guard W/Spring Pin
	G10765	-	Spring Pin, $\frac{1}{4}$ " x 1"
14.	G10133	12	Hex Head Cap Screw, $\frac{5}{16}$ "-18 x 1 $\frac{1}{2}$ "
	G10109	12	Lock Nut, $\frac{5}{16}$ "-18, Grade 8
15.	GD9724	2	Backing Plate
16.	GB0387	2	Wheel, 12 Tine, $\frac{3}{8}$ " x 12"
17.	GB0401	1	Mount
18.	G11236	1	Hex Head Cap Screw, $\frac{3}{4}$ "-10 x 10 $\frac{1}{2}$ "
	GB0383	2	Bushing, 1 $\frac{1}{8}$ " O.D. x $\frac{25}{32}$ " I.D. x $\frac{3}{4}$ " Long
	G10194	2	Washer, $\frac{3}{4}$ " SAE
	G11228	1	Lock Nut, $\frac{3}{4}$ "-10
19.	GA12256	1	Locking Pin
20.	G10003	2	Hex Head Cap Screw, $\frac{3}{8}$ "-16 x 1 $\frac{1}{2}$ "
	G10229	2	Lock Washer, $\frac{3}{8}$ "
A.	GA7446	-	Wheel Assembly, 12 Tine, R.H. (Items 3, 4, 14 And 15) (Shown)
	GA7445	-	Wheel Assembly, 12 Tine, L.H. (Items 3, 4, 14 And 15)
B.	GA12236	-	Wheel Assembly, 12 Tine, R.H. (Items 4, 14, 15 And 16) (Shown)
	GA12235	-	Wheel Assembly, 12 Tine, L.H. (Items 4, 14, 15 And 16)
C.	G1K467	-	Residue Wheel Mount Kit (Items 17-20)

FRAME MOUNTED COULTER W/RESIDUE WHEELS

(RU135c/RU135g/RU153b/RU135hh)

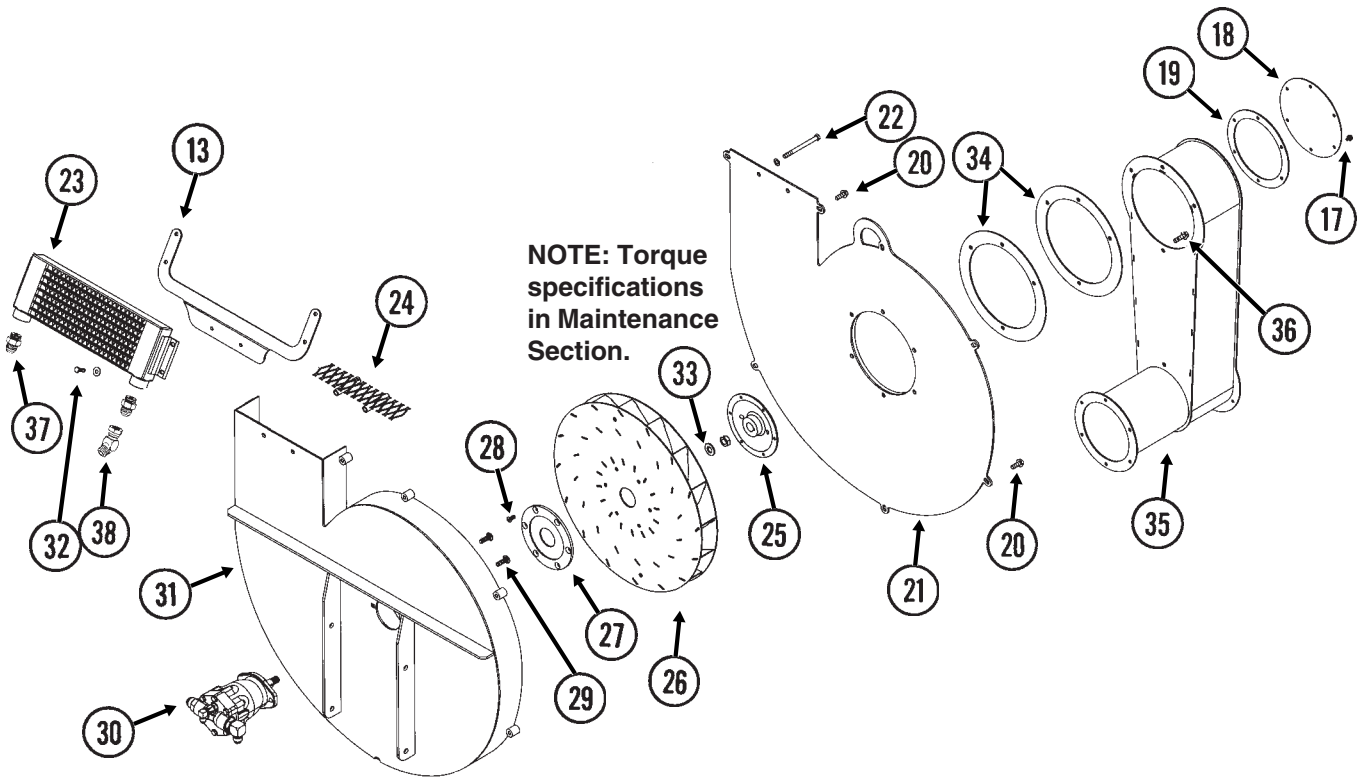
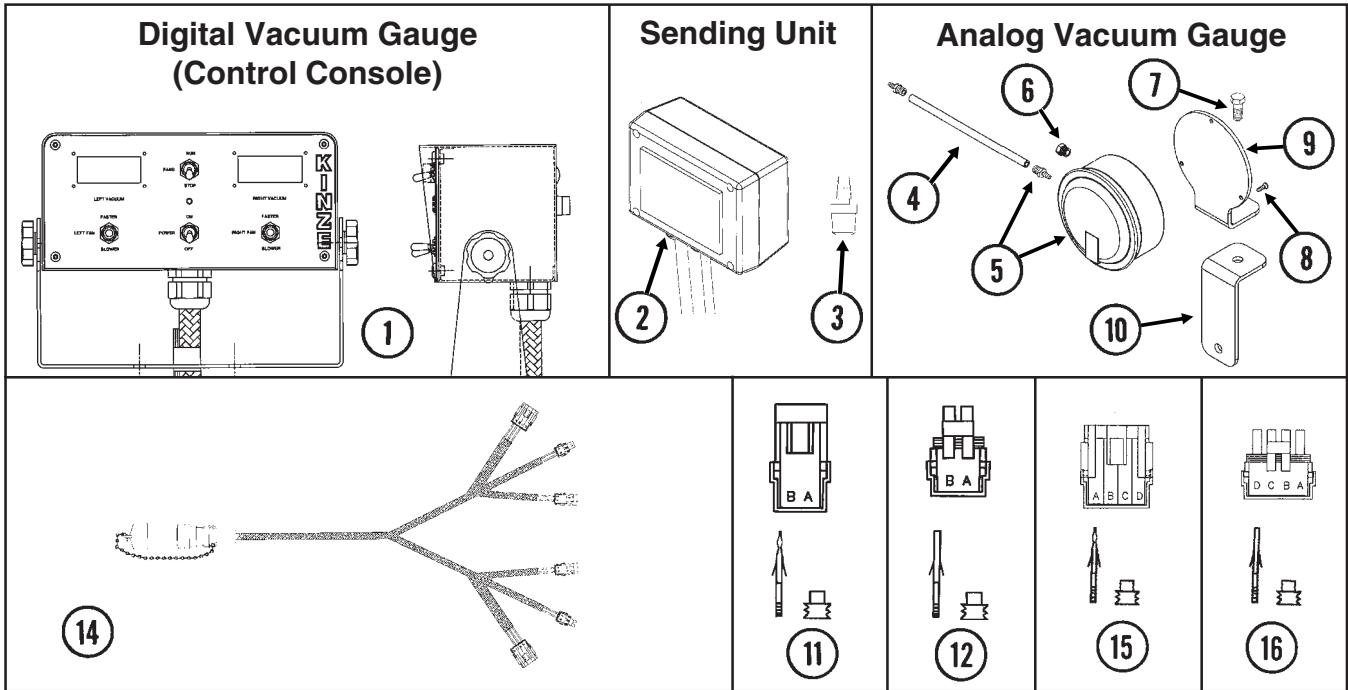


FRAME MOUNTED COULTER W/RESIDUE WHEELS

ITEM	PART NO.	QTY. (Per Row)	DESCRIPTION
1.	G11010	2	Hex Head Cap Screw, $\frac{3}{4}$ "-10 x 12"
2.	GA9844	1	Plate W/Angle
3.	G10039	4	Hex Head Cap Screw, $\frac{1}{2}$ "-13 x 1 $\frac{3}{4}$ "
4.	GA9131	1	Coulter Frame
5.	G10007	4	Hex Head Cap Screw, $\frac{5}{8}$ "-11 x 1 $\frac{1}{2}$ "
	G10107	4	Lock Nut, $\frac{5}{8}$ "-11
6.	G10400	1	Hex Head Cap Screw, $\frac{3}{4}$ "-10 x 6 $\frac{1}{2}$ "
	G10112	1	Lock Nut, $\frac{3}{4}$ "-10
7.	GD12826	1	Spring Anchor Bar
8.	G10574	4	Carriage Bolt, $\frac{1}{2}$ "-13 x 1 $\frac{1}{4}$ "
	G10111	4	Lock Nut, $\frac{1}{2}$ "-13
9.	GD12827	2	Adapter
10.	GA8641	1	Hub W/Bearing And Retaining Ring
	GA8603	1	Bearing, Double Row
	GD11652	1	Retaining Ring, 2 $\frac{7}{16}$ "
11.	GD7803	1	Disc Blade, Fluted, 1", 8 Flutes (Shown)
	GD7804	-	Disc Blade, Bubbled, 1"
	GD9254	-	Disc Blade, Fluted, $\frac{3}{4}$ ", 13 Flutes
12.	GB0213	2	Spring Seat
13.	GD12817	2	Compression Spring
14.	GD12829	1	Sleeve
15.	G10046	1	Hex Head Cap Screw, $\frac{5}{8}$ "-11 x 5"
	G10107	1	Lock Nut, $\frac{5}{8}$ "-11
16.	GA9845	1	Coulter Arm W/Grease Fitting
	G10643	-	Grease Fitting, 45°, $\frac{1}{4}$ "-28
17.	G10011	1	Hex Head Cap Screw, $\frac{5}{8}$ "-11 x 5 $\frac{1}{2}$ "
	G10107	1	Lock Nut, $\frac{5}{8}$ "-11
18.	GB0218	3	Bushing, $\frac{21}{32}$ " I.D. x $\frac{7}{8}$ " O.D. x $\frac{19}{32}$ " Long
19.	GD1132	2	Dust Cap
20.	G10010	2	Hex Head Cap Screw, $\frac{5}{8}$ "-11 x 3"
	G10503	2	Hex Jam Nut, $\frac{5}{8}$ "-11, Grade 2
21.	GD10552	2	Wheel, 12 Tine, $\frac{3}{8}$ " x 12"
22.	GA5654	2	Hub W/Bearings
	GA2014	-	Bearing
23.	GD9724	2	Backing Plate
24.	G10133	12	Hex Head Cap Screw, $\frac{5}{16}$ "-18 x 1 $\frac{1}{2}$ "
	G10109	12	Lock Nut, $\frac{5}{16}$ "-18, Grade 8
25.	G10213	2	Machine Bushing, $\frac{5}{8}$ " (.030" Thick)
26.	GA9862	2	Weed Guard W/Spring Pin
	G10765	-	Spring Pin, $\frac{1}{4}$ " x 1"
27.	GA9865	1	Mount
28.	GA9861	1	Cam
29.	GD10519	1	Spring
30.	G10974	1	Lock Nut W/Nylon Insert, $\frac{1}{2}$ "-13
31.	G10005	1	Hex Head Cap Screw, $\frac{5}{8}$ "-11 x 1 $\frac{3}{4}$ "
	G10107	4	Lock Nut, $\frac{5}{8}$ "-11
32.	GA9864	1	Support
33.	G10014	1	Hex Head Cap Screw, $\frac{1}{2}$ "-13 x 1"
	G10102	1	Hex Nut, $\frac{1}{2}$ "-13
34.	G10011	2	Hex Head Cap Screw, $\frac{5}{8}$ "-11 x 5 $\frac{1}{2}$ "
	G10205	2	Washer, $\frac{5}{8}$ " SAE
	G10730	2	Lock Nut W/Nylon Insert, $\frac{5}{8}$ "-11
35.	GD14170	2	Sleeve, 3"
36.	GB0386	2	Wheel, 12 Tine, $\frac{3}{8}$ " x 12"
A.	GA7446	-	Wheel Assembly, 12 Tine, R.H. (Items 21-24) (Shown)
	GA7445	-	Wheel Assembly, 12 Tine, L.H. (Items 21-24)
B.	GA12236	-	Wheel Assembly, 12 Tine, R.H. (Items 22, 23, 24 And 36) (Shown)
	GA12235	-	Wheel Assembly, 12 Tine, L.H. (Items 22, 23, 24 And 36)

VACUUM GAUGES, CONTROL CONSOLE AND VACUUM FAN ASSEMBLY WITH OIL COOLER

(A11692/A11156/GR1736/A10765/A11158/A11699/A7856/A11155/A8329/FWD127)

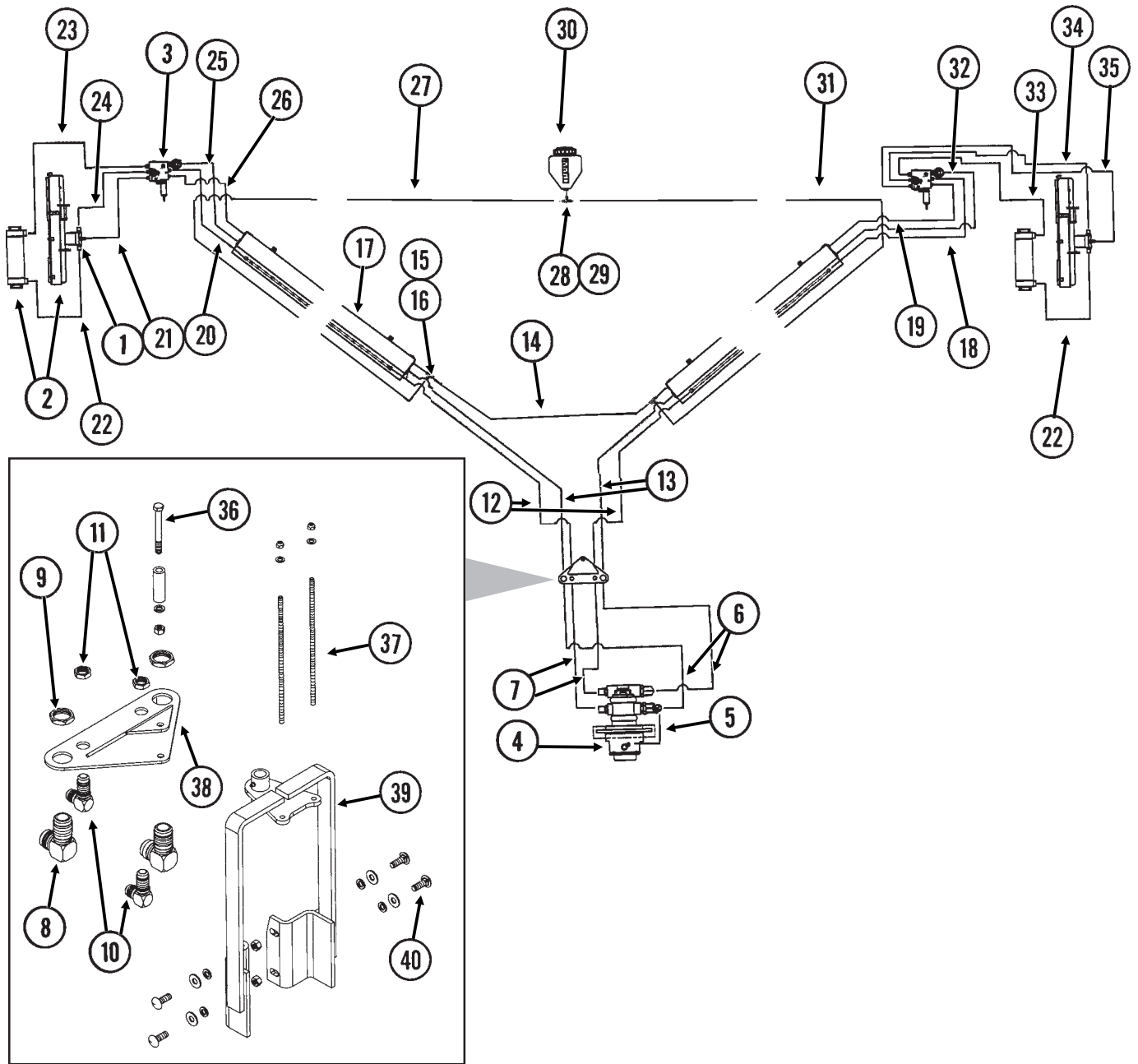


VACUUM GAUGES, CONTROL CONSOLE AND VACUUM FAN ASSEMBLY WITH OIL COOLER

ITEM	PART NO.	QTY.	DESCRIPTION
		(Per Assy.)	
1.	G8081X	1	Backlit Control Console Assembly W/Mounting Brackets, Harness W/Dust Cap And Power Cable
	GD14640	-	Mounting Bracket
	GA6975	-	Knob
	GD2829	-	Fuse, 15 Amp, Type AGC
2.	GA11156	1	Sending Unit W/1/4" Tubing And Harness
	GD16324-01	-	Clear Plastic Tubing, 1/4" x 45"
	GA9964	-	Strain Relief
3.	GR1736	1	Hose Barb, 1/8" Male NPT To Barb
4.	GD15849-02	1	Clear Tube, 5/16" O.D. x 3/16" I.D. x 120"
5.	GA10765	1	Analog Vacuum Gauge W/Hose Barb
	GR1777	-	Hose Barb, 1/8" NPT To 3/16" Barb
6.	GA10799	1	Breather, 1/8" Male NPT
7.	G10001	1	Hex Head Cap Screw, 3/8"-16 x 1"
	G10210	1	Washer, 3/8" USS
	G10108	1	Lock Nut, 3/8"-16
8.	G11138	3	Hex Socket Head Cap Screw, No. 6-32 x 1/2", Grade 8
9.	GD15804	1	Mount
10.	GD15803	1	Support
11.	G1K321	-	2-Pin Female Connector Kit (Black), Includes: (3) 2-Pin Female Housings, (6) Pin Contacts, (6) Seals
12.	G1K320	-	2-Pin Male Connector Kit (Black), Includes: (3) 2-Pin Male Housings, (6) Socket Contacts, (6) Seals
13.	GD16608	1	Bracket
14.	GA11689	1	Harness, 432", 24 Row 30"
	GA11691	-	Harness, 519", 32 Row 30" And 36 Row 30"
15.	GA8328	-	4-Pin Female Connector Kit, Includes: (1) 4-Pin Female Housing, (4) Seals, (4) Pin Contacts
16.	GA8329	-	4-Pin Male Connector Kit, Includes: (1) 4-Pin Male Housing, (4) Seals, (4) Sockets
17.	G11166	6	Whiz Lock Bolt, 1/4"-20 x 3/4"
18.	GD16840	1	Cover
19.	GD16991	1	Cover Gasket, 1/8" x 8 3/8" (6 1/2" I.D.)
20.	G11124	7	Whiz Lock Bolt, 3/8"-18 x 1"
21.	GA10752	1	Cover
22.	G10063	2	Hex Head Cap Screw, 3/8"-16 x 4"
	G10203	2	Washer, 3/8" SAE
	G10108	2	Lock Nut, 3/8"-16
23.	GA10917	1	Oil Cooler
24.	GA11987	2	Screen
25.	GD15790	1	Hub
26.	GA10635	1	Impeller
27.	GD15789	1	Backing Plate
28.	G11133	6	Hex Socket Head Cap Screw, 5/16"-18 x 3/4", Grade 8
29.	G10599	2	Carriage Bolt, 3/8"-16 x 1 1/4"
	G10229	2	Lock Washer, 3/8"
	G10101	2	Hex Nut, 3/8"-16
30.		-	See "Vacuum Fan Hydraulic Motor Assembly", Page P50
31.	GA10148	1	Shroud
32.	G10019	4	Hex Head Cap Screw, 5/16"-18 x 1"
	G10219	4	Washer, 5/16" USS
	G10109	4	Lock Nut, 5/16"-18, Grade B
33.	G10205	1	Washer, 5/8" SAE
	G10499	1	Hex Jam Nut, 5/8"-18, Grade 2
34.	GD16992	2	Gasket, 1/8" x 11 7/8"
35.	GA11651	1	Outlet
36.	G11204	4	Hex Head Cap Screw, 3/8"-16 x 1 1/4"
37.	G6400-12	2	Connector W/O-Ring, 1 1/16"-12 Male JIC To O-Ring
	GR1467	-	O-Ring
38.	G6502-12	1	Swivel Elbow, 45°, 1 1/16"-12 Male JIC To Female
A.	GA11757	-	Vacuum Fan Assembly (Items 13, 20-31 And 33)

VACUUM FAN HYDRAULIC COMPONENTS

(FWD122b/FWD137)



ITEM	PART NO.	QTY.	DESCRIPTION
------	----------	------	-------------

1.		-	See "Vacuum Fan Hydraulic Motor Assembly", Page P50
2.		-	See "Vacuum Gauges, Control Console And Vacuum Fan Assembly With Oil Cooler", Pages P46 And P47
3.		-	See "Vacuum Fan Motor Valve Block Assembly (Located On Both Sides Of Planter)", Page P51
4.		-	See "PTO Pump Assembly", Pages P56 And P57
5.	*A3292	1	Hose Assembly, 3/8" x 22"
6.	*A11801	2	Hose Assembly, 1 1/4" x 64"
7.	*A11405	2	Hose Assembly, 5/8" x 62"
8.	G2701-20	2	Bulkhead Elbow, 90°, 1 5/8"-12 Male JIC

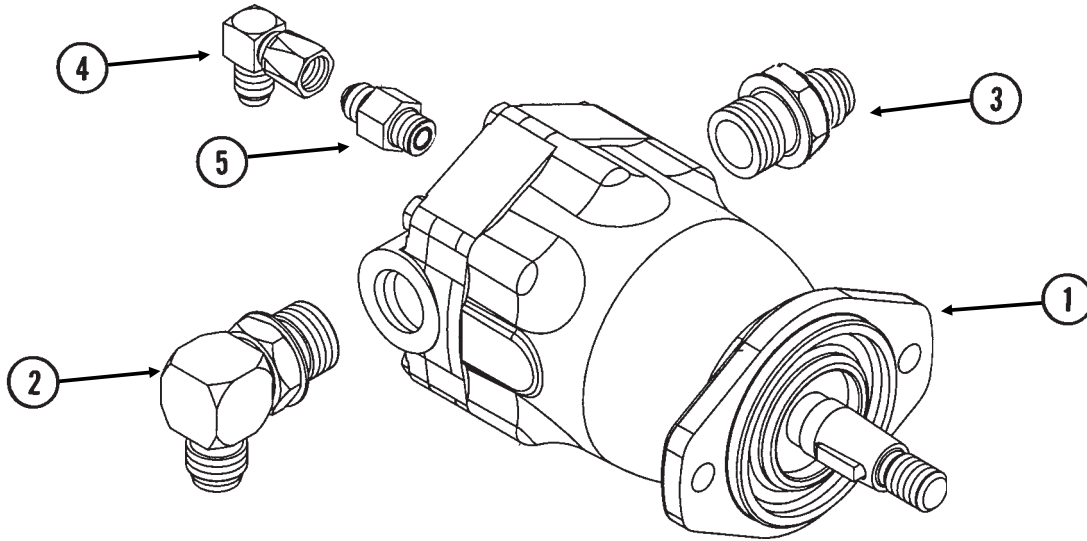
VACUUM FAN HYDRAULIC COMPONENTS

ITEM	PART NO.	QTY.	DESCRIPTION
9.	G306-20	2	Lock Nut, 1 5/8"-12
10.	G2701-12	2	Bulkhead Elbow, 90°, 1 1/16"-12 Male JIC
11.	G306-12	2	Lock Nut, 1 1/16"-12
12.	*A11406	2	Hose Assembly, 5/8" x 110"
13.	*A11802	2	Hose Assembly, 1 1/4" x 100"
14.	*A1021	1	Hose Assembly, 3/8" x 56"
15.	G6602-08	2	Swivel Tee, 3/4"-16 JIC
16.	G6502-08	2	Swivel Elbow, 45°, 3/4"-16 Male JIC To Female
17.		-	See "Draft Link With Reservoir Tank", Pages P78 And P79
18.	*A11407	1	Hose Assembly, 5/8" x 84", 24 Row 30"
	*A11412	-	Hose Assembly, 5/8" x 216", 36 Row 30"
19.	*A3288	1	Hose Assembly, 3/8" x 76", 24 Row 30"
	*A3172	-	Hose Assembly, 3/8" x 205", 36 Row 30"
20.	*A11408	1	Hose Assembly, 5/8" x 91", 24 Row 30"
	*A11411	-	Hose Assembly, 5/8" x 264", 36 Row 30"
21.	*A3290	1	Hose Assembly, 3/8" x 98", 24 Row 30"
	*A3296	-	Hose Assembly, 3/8" x 88", 36 Row 30"
22.	*A3381	2	Hose Assembly, 3/4" x 26"
23.	*A3384	1	Hose Assembly, 3/4" x 122", 24 Row 30"
	*A3387	-	Hose Assembly, 3/4" x 100", 36 Row 30"
24.	*A11410	1	Hose Assembly, 5/8" x 98", 24 Row 30"
	*A11413	-	Hose Assembly, 5/8" x 88", 36 Row 30"
25.	*A3380	1	Hose Assembly, 3/4" x 78", 24 Row 30"
	*A3386	-	Hose Assembly, 3/4" x 252", 36 Row 30"
26.	*A3289	1	Hose Assembly, 3/8" x 84", 24 Row 30"
	*A3295	-	Hose Assembly, 3/8" x 252", 36 Row 30"
27.	*A3294	2	Hose Assembly, 3/8" x 136", 24 Row 30"
	*A1089	-	Hose Assembly, 3/8" x 240", 36 Row 30"
28.	G2404-08-12	1	Adapter, 3/4"-16 Male JIC To 3/4" NPT
29.	G6600-08	1	Swivel Tee, 3/4"-16 JIC
30.	GA11683	1	Expansion Tank W/Lid
	GR1760	-	Lid
31.	*A3293	2	Hose Assembly, 3/8" x 264", 24 Row 30"
	*A3298	-	Hose Assembly, 3/8" x 360", 36 Row 30"
32.	*A3383	1	Hose Assembly, 3/4" x 70", 24 Row 30"
	*A3388	-	Hose Assembly, 3/4" x 204", 36 Row 30"
33.	*A3385	1	Hose Assembly, 3/4" x 182", 24 Row 30"
	*A3389	-	Hose Assembly, 3/4" x 176", 36 Row 30"
34.	*A11409	1	Hose Assembly, 5/8" x 170", 24 Row 30"
	*A11414	-	Hose Assembly, 5/8" x 162", 36 Row 30"
35.	*A3291	1	Hose Assembly, 3/8" x 168", 24 Row 30"
	*A3297	-	Hose Assembly, 3/8" x 162", 36 Row 30"
36.	G10045	1	Hex Head Cap Screw, 1/2"-13 x 4 1/2"
	GD4887-11	1	Sleeve, 1" x 3"
	G10228	1	Lock Washer, 1/2"
	G10102	1	Hex Nut, 1/2"-13
37.	GD15187-01	2	Threaded Rod, 3/8"-16 x 13"
	G10203	2	Washer, 3/8" USS
	G10108	2	Lock Nut, 3/8"-16
38.	GA11662	1	Pivot
39.	GA11663	1	Mount
40.	G10636	4	Carriage Bolt, 1/2"-13 x 1 1/2"
	G10216	4	Washer, 1/2" USS
	G10228	4	Lock Washer, 1/2"
	G10102	4	Hex Nut, 1/2"-13

* Hydraulic hose is not stocked by KINZE® Repair Parts, but can be made available on a special order basis. Call for quote.

VACUUM FAN HYDRAULIC MOTOR ASSEMBLY

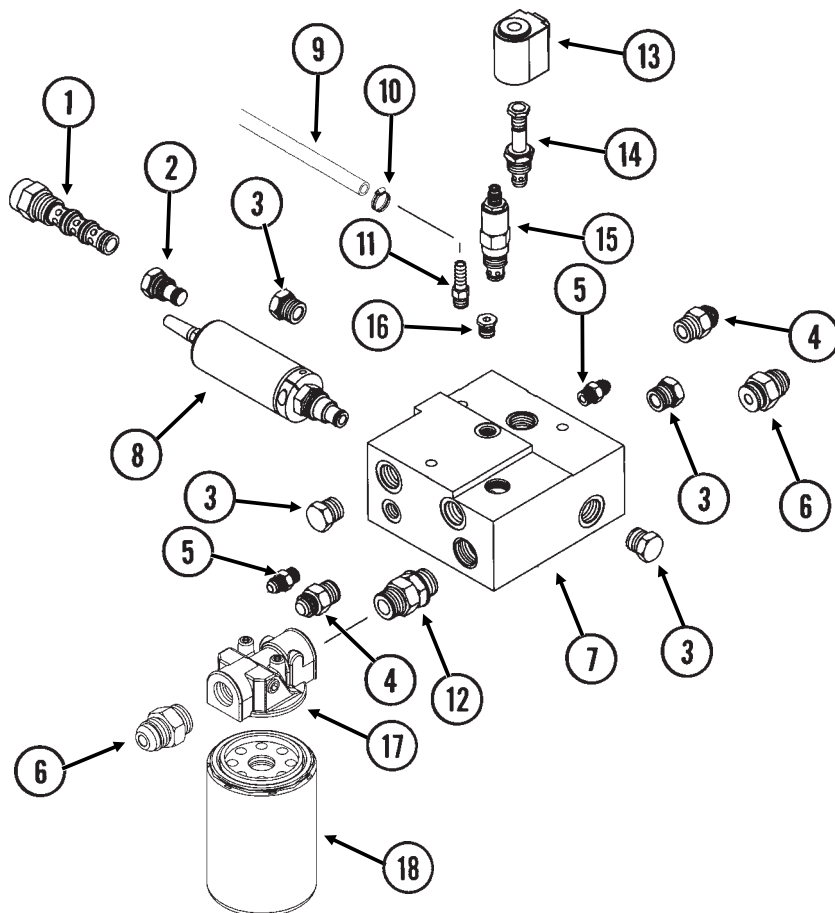
(METR21b)



ITEM	PART NO.	QTY.	DESCRIPTION
1.	GA10149 GR1734	1 -	Hydraulic Motor Seal Kit
2.	G6801-10-12 GR1467	1 -	Elbow W/O-Ring, 90°, 7/8"-14 Male JIC To 1 1/16"-12 O-Ring O-Ring
3.	G6400-12 GR1467	2 -	Connector W/O-Ring, 1 1/16"-12 Male JIC To O-Ring O-Ring
4.	G6500-06	1	Swivel Elbow, 90°, 9/16"-18 Male JIC To Female
5.	G6400-06 GR1045	1 -	Connector W/O-Ring, 9/16"-18 Male JIC To O-Ring O-Ring

VACUUM FAN MOTOR VALVE BLOCK ASSEMBLY (Located On Both Sides Of Planter)

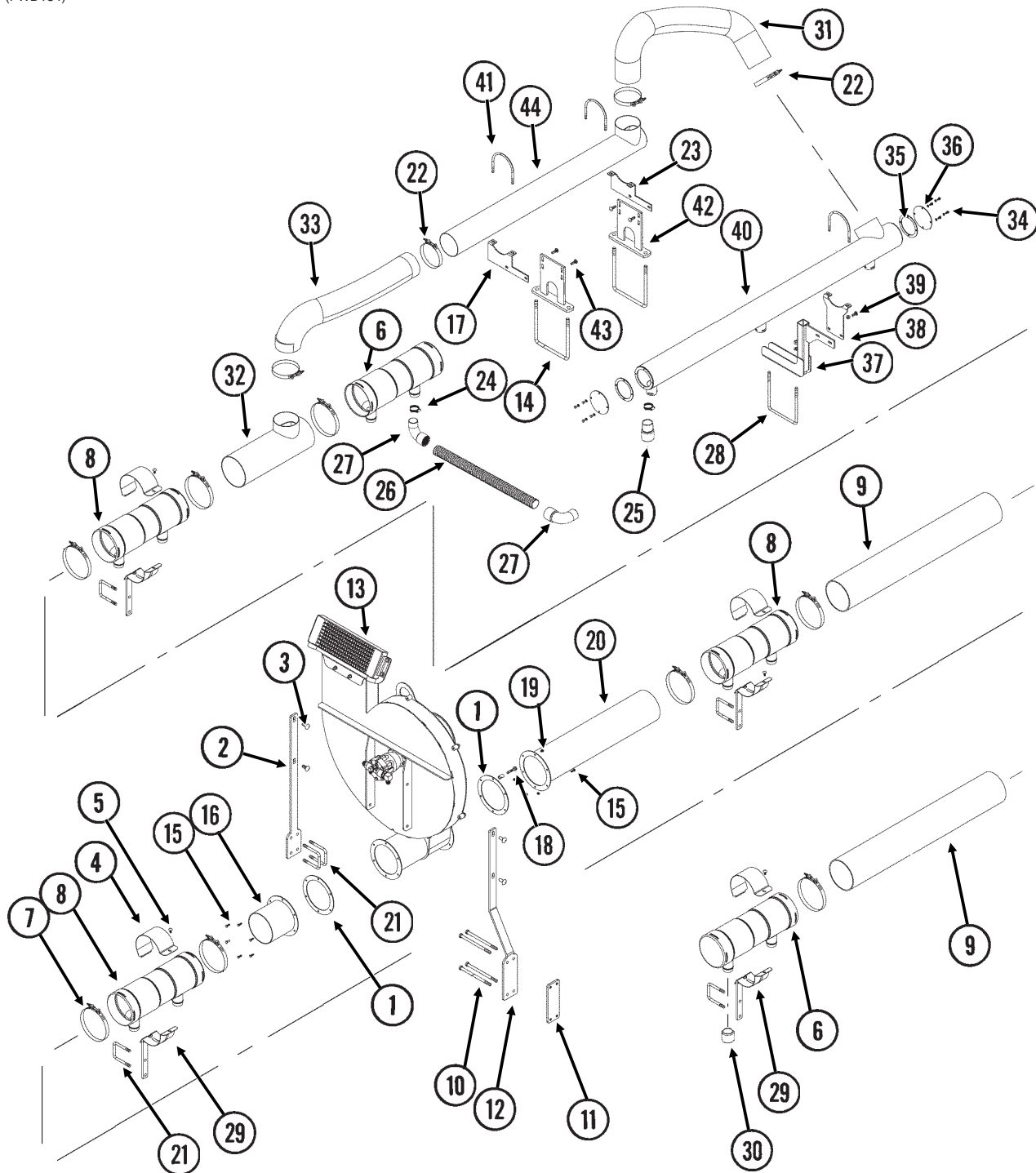
(FWD126)



ITEM	PART NO.	QTY.	DESCRIPTION
1.	GA11682	1	Pressure Compensating Element
2.	GA11934	1	Relief Valve Cartridge
3.	G6408-10	4	Plug W/O-Ring, 7/8"-14 O-Ring
	GR1466	-	O-Ring
4.	G6400-10	1-2	Connector W/O-Ring, 7/8"-14 Male JIC To O-Ring
	GR1466	-	O-Ring
5.	G6400-06	2	Connector W/O-Ring, 9/16"-18 Male JIC To O-Ring
	GR1045	-	O-Ring
6.	G6400-12	2	Connector W/O-Ring, 1 1/16"-12 Male JIC To O-Ring
	GR1467	-	O-Ring
7.	GD16873	1	Valve Block
8.	GA11799	1	Flow Control Cartridge W/Terminals
9.	GD6279-05	1	Clear Plastic Tubing, 9/16" O.D. x 60"
10.	G10681	1	Hose Clamp, No. 6
11.	GD11700	1	Adapter, 1/4" NPT To 3/8" Barb
12.	G6403-NWO-12	1	Adjustable Union, 1 1/16"-12 O-Ring
	GR1467	-	O-Ring
13.	GA11900	1	Coil W/Terminals
14.	GA11680	1	Cartridge
15.	GA11679	1	Relief Valve
16.	G6408-H06-O	1	Hex Socket Head Plug W/O-Ring, 9/16"-18 O-Ring
	GR1045	-	O-Ring
17.	GD16038	1	Filter Head
18.	GD16037	1	Oil Filter, 10 Micron

MANIFOLDS AND DISTRIBUTION HOSES, 24 ROW 30"

(FWD134)



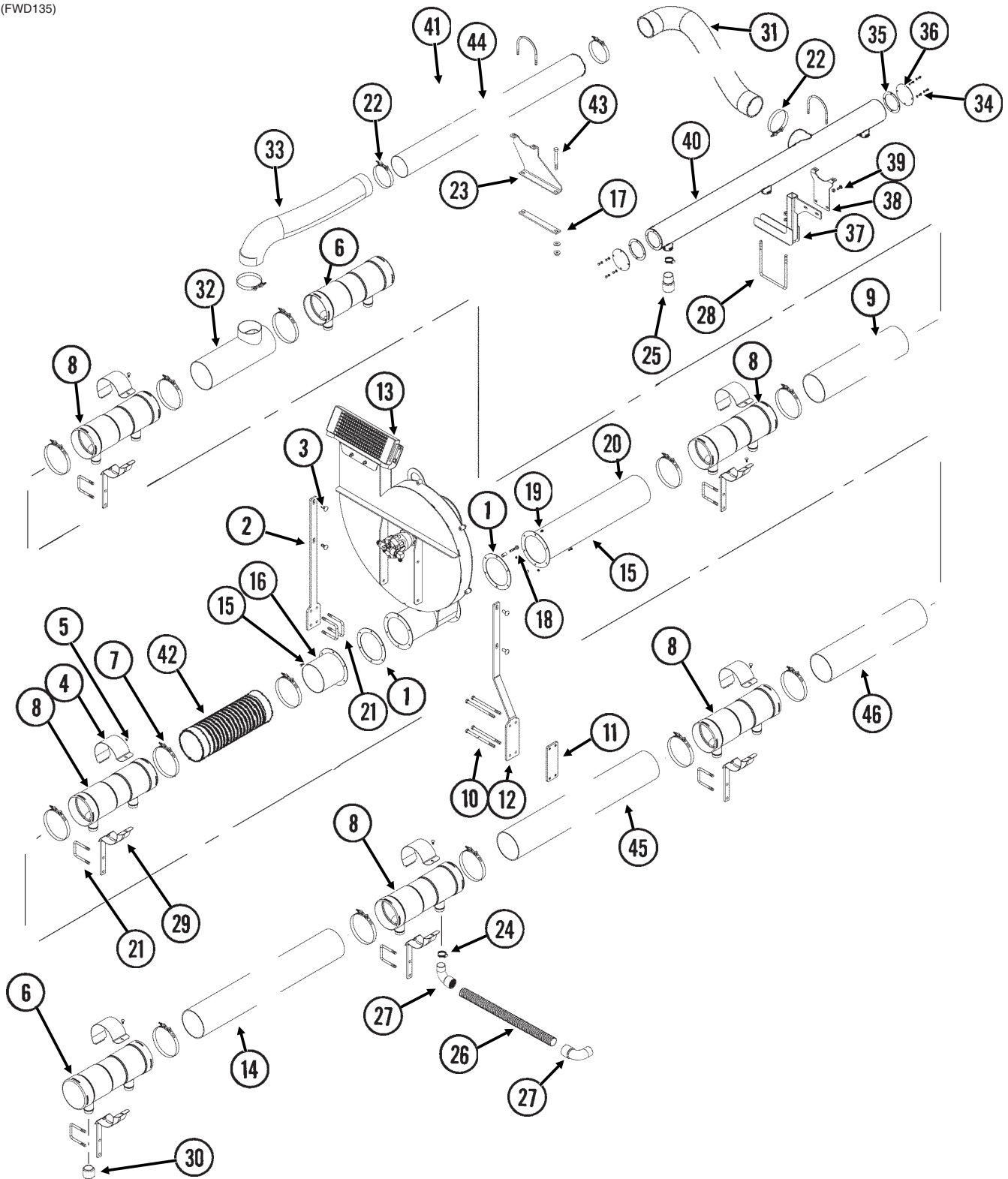
ITEM	PART NO.	QTY.	DESCRIPTION
1.	GD16842	4	Manifold Gasket, 1/8" x 8 3/8" (6 5/8" I.D.)
2.	GD16844	-	Support
3.	G10574	-	Carriage Bolt, 1/2"-13 x 1 1/4"
	G10071	-	Serrated Flange Nut, 1/2"-13
4.	GD15854	10	Clamp
5.	G10312	-	Carriage Bolt, 5/16"-18 x 3/4"
	G10620	-	Serrated Flange Nut, 5/16"-18
6.	GD15850	4	Manifold, 21" (Open One End)
7.	G11145	-	T-Bolt Clamp, 7"

MANIFOLDS AND DISTRIBUTION HOSES, 24 ROW 30"

ITEM	PART NO.	QTY.	DESCRIPTION
8.	GD15799	6	Manifold, 21" (Open Both Ends)
9.	GD15856-07	2	Pipe, 6" x 42"
10.	G11200	8	Hex Head Cap Screw, 1/2"-13 x 8"
11.	GD16843	2	Tap Block
12.	GD16845	2	Support
13.		-	See "Vacuum Gauges, Control Console And Vacuum Fan Assembly With Oil Cooler", Pages P46 And P47
14.	GD16320	-	U-Bolt, 8" x 8" x 5/8"-11
	G10230	-	Lock Washer, 5/8"
	G10104	-	Hex Nut, 5/8"-11
15.	G10023	-	Hex Head Cap Screw, 1/4"-20 x 3/4"
	G10110	-	Lock Nut, 1/4"-20, Grade B
16.	GA11653	2	Manifold Flange, 6"
17.	GD16862	2	Support, R.H.
18.	G11199	2	Whiz Lock Bolt, 3/8"-16 x 2"
	GD8893-07	2	Sleeve, 1" Long
19.	G11166	-	Whiz Lock Bolt, 1/4"-20 x 3/4"
20.	GA11655	1	Manifold Flange, 31"
	GA11654	-	Manifold Flange, 26"
21.	GD4743	-	U-Bolt, 3" x 3" x 1/2"-13
	G10228	-	Lock Washer, 1/2"
	G10102	-	Hex Nut, 1/2"-13
22.	G11188	4	T-Bolt Clamp, 5 1/4"
23.	GD16863	2	Support, L.H.
	GD16862	-	Support, R.H.
24.	G10676	24	Hose Clamp, No. 36
25.	GD14627	6	Coupler
26.	GD15792-03	1	Hose, 2" x 28"
	GD15792-05	1	Hose, 2" x 38"
	GD15792-06	7	Hose, 2" x 42"
	GD15792-12	11	Hose, 2" x 44"
	GD15792-19	4	Hose, 2" x 26"
27.	GD14626	42	Elbow, 90°, 2"
28.	GD7145	-	U-Bolt, 7" x 7" x 1/2"-13
	G10228	-	Lock Washer, 1/2"
	G10102	-	Hex Nut, 1/2"-13
29.	GA11656	10	Support
30.	G11147	-	Cap, 2"
31.	GD15867-05	2	Hose, 5" x 55"
32.	GA11204	2	Manifold, 19"
33.	GD15867-02	2	Hose, 5" x 50"
34.	G10022	-	Hex Head Cap Screw, 1/4"-20 x 1/2"
	G10227	-	Lock Washer, 1/4"
35.	GD16864	4	Gasket, 1/8"
36.	GD16854	4	Cover
37.	GA11660	4	Support
38.	GD16855	4	Support
39.	G10305	-	Carriage Bolt, 3/8"-16 x 1"
	G10622	-	Serrated Flange Nut, 3/8"-16
40.	GA11659	1	Manifold, 68 55/64", L.H.
	GA11658	1	Manifold, 53 23/64", R.H.
41.	GD15833	-	U-Bolt, 5" Diameter x 3/8"-16
	G10622	-	Serrated Flange Nut, 3/8"-16
42.	GA11531	4	Mount
43.	G10599	-	Carriage Bolt, 3/8"-16 x 1 1/4"
	G10622	-	Serrated Flange Nut, 3/8"-16
44.	GA11657	2	Manifold, 52 7/64"

MANIFOLDS AND DISTRIBUTION HOSES, 36 ROW 30"

(FWD135)



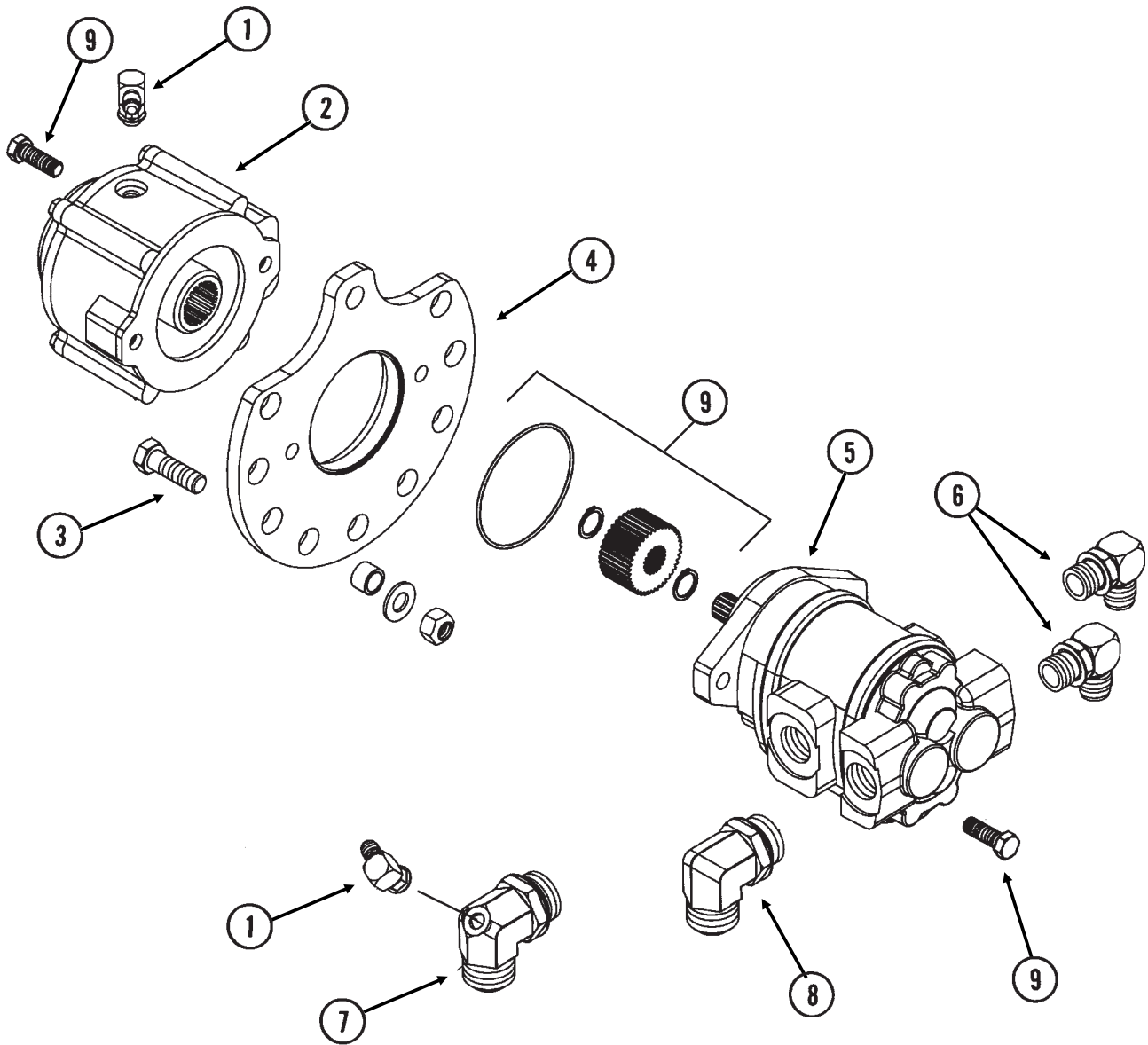
ITEM	PART NO.	QTY.	DESCRIPTION
1.	GD16842	4	Manifold Gasket, 1/8" x 8 3/8" (6 5/8" I.D.)
2.	GD16844	-	Support
3.	G10574	-	Carriage Bolt, 1/2"-13 x 1 1/4"
	G10071	-	Serrated Flange Nut, 1/2"-13
4.	GD15854	14	Clamp
5.	G10312	-	Carriage Bolt, 5/16"-18 x 3/4"
	G10620	-	Serrated Flange Nut, 5/16"-18

MANIFOLDS AND DISTRIBUTION HOSES, 36 ROW 30"

ITEM	PART NO.	QTY.	DESCRIPTION
6.	GD15850	4	Manifold, 21" (Open One End)
7.	G11145	-	T-Bolt Clamp, 7"
8.	GD15799	10	Manifold, 21" (Open Both Ends)
9.	GD15856-09	1	Pipe, 6" x 45 1/2", L.H.
	GD15856-12	-	Pipe, 6" x 67", R.H.
10.	G11200	8	Hex Head Cap Screw, 1/2"-13 x 8"
11.	GD16843	2	Tap Block
12.	GD16845	2	Support
13.		-	See "Vacuum Gauges, Control Console And Vacuum Fan Assembly With Oil Cooler", Pages P46 And P47
14.	GD15856-08	1	Pipe, 6" x 43 1/2", L.H.
	GD15856-07	-	Pipe, 6" x 42", R.H.
15.	G10023	-	Hex Head Cap Screw, 1/4"-20 x 3/4"
	G10110	-	Lock Nut, 1/4"-20, Grade B
16.	GA11673	2	Manifold Flange, 5"
17.	GD17016	4	Plate, 1 1/4" x 10"
18.	G11199	2	Whiz Lock Bolt, 3/8"-16 x 2"
	GD8893-07	2	Sleeve, 1" Long
19.	G11166	-	Whiz Lock Bolt, 1/4"-20 x 3/4"
20.	GA11675	1	Manifold Flange, 37 41/64", L.H.
	GA11674	-	Manifold Flange, 11 9/64", R.H.
21.	GD4743	-	U-Bolt, 3" x 3" x 1/2"-13
	G10228	-	Lock Washer, 1/2"
	G10102	-	Hex Nut, 1/2"-13
22.	G11188	4	T-Bolt Clamp, 5 1/4"
23.	GD16898	4	Support
24.	G10676	36	Hose Clamp, No. 36
25.	GD14627	8	Coupler
26.	GD15792-05	2	Hose, 2" x 38"
	GD15792-06	17	Hose, 2" x 42"
	GD15792-14	5	Hose, 2" x 46"
	GD15792-16	1	Hose, 2" x 55"
	GD15792-20	5	Hose, 2" x 32"
	GD15792-21	4	Hose, 2" x 52"
	GD15792-22	2	Hose, 2" x 58"
27.	GD14626	64	Elbow, 90°, 2"
28.	GD7145	-	U-Bolt, 7" x 7" x 1/2"-13
	G10228	-	Lock Washer, 1/2"
	G10102	-	Hex Nut, 1/2"-13
29.	GA11656	10	Support
30.	G11147	-	Cap, 2"
31.	GD15867-03	2	Hose, 5" x 36"
32.	GA11204	2	Manifold, 19"
33.	GD15867-04	2	Hose, 5" x 42"
34.	G10022	-	Hex Head Cap Screw, 1/4"-20 x 1/2"
	G10227	-	Lock Washer, 1/4"
35.	GD16864	4	Gasket, 1/8"
36.	GD16854	4	Cover
37.	GA11660	4	Support
38.	GD16855	4	Support
39.	G10305	-	Carriage Bolt, 3/8"-16 x 1"
	G10622	-	Serrated Flange Nut, 3/8"-16
40.	GA11671	1	Manifold, 68 55/64", L.H.
	GA11672	1	Manifold, 53 23/64", R.H.
41.	GD15833	-	U-Bolt, 5" Diameter x 3/8"-16
	G10230	-	Lock Washer, 3/8"
	G10104	-	Hex Nut, 3/8"-16
42.	GD17317-01	2	Hose, 7" x 21"
43.	G10045	-	Hex Head Cap Screw, 1/2"-13 x 4 1/2"
	G10216	-	Washer, 1/2" USS
	G10071	-	Serrated Flange Nut, 1/2"-13
44.	GD16119-12	2	Tube, 5" O.D. x 72"
45.	GD15856-08	1	Pipe, 6" x 43 1/2", L.H.
	GD15856-09	-	Pipe, 6" x 44 1/2", R.H.
46.	GD15856-10	1	Pipe, 6" x 55", L.H.
	GD15856-11	-	Pipe, 6" x 60", R.H.

PTO PUMP ASSEMBLY

(FWD123)

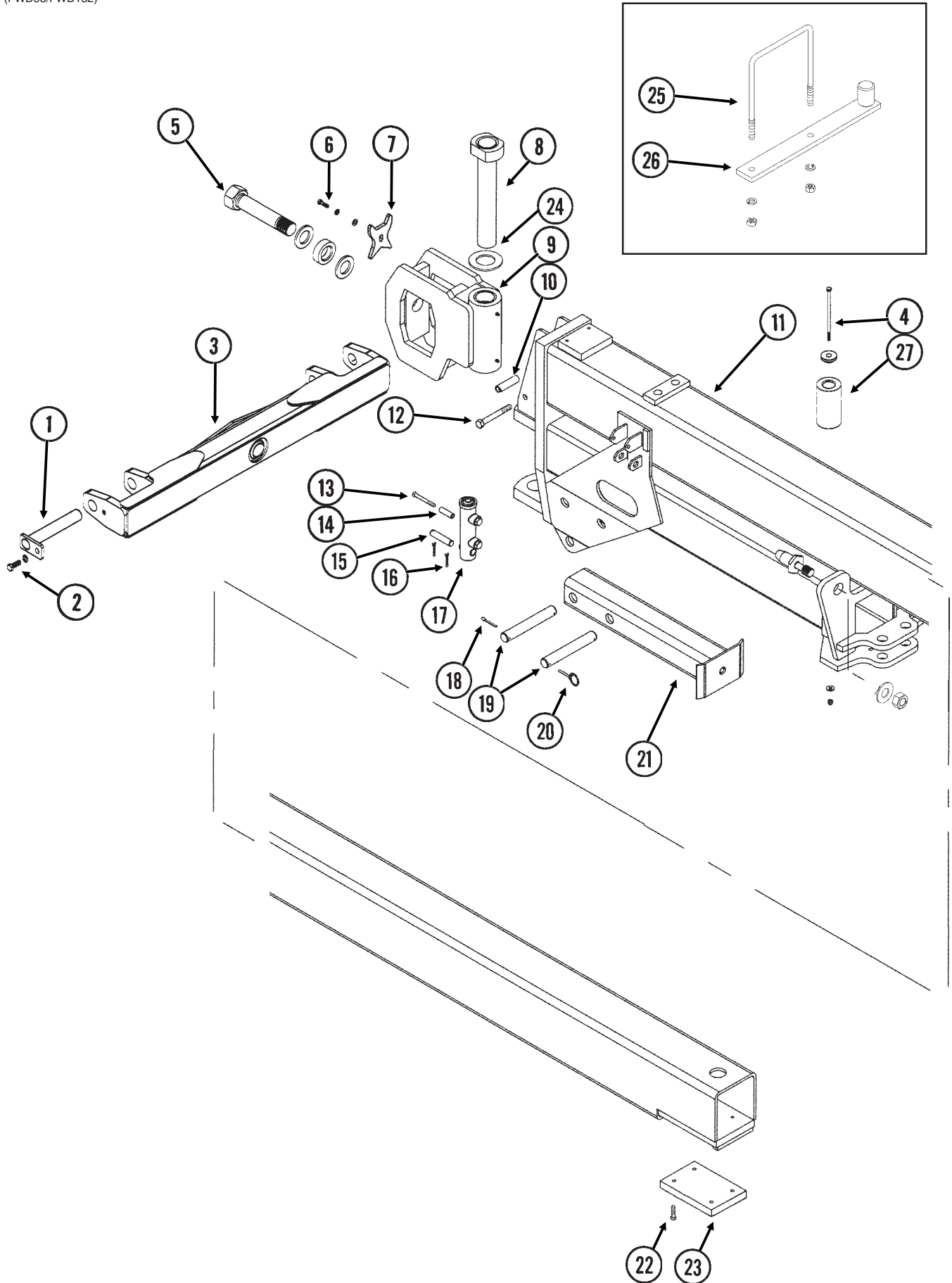


PTO PUMP ASSEMBLY

ITEM	PART NO.	QTY.	DESCRIPTION
1.	G6801-06	2	Elbow W/O-Ring, 90°, 9/16"-18 Male JIC To O-Ring
	GR1045	-	O-Ring
2.	GA11677	1	Planetary Gearbox
3.	G10008	5	Hex Head Cap Screw, 5/8"-11 x 2"
	GB0218	5	Bushing, 21/32" I.D. x 7/8" O.D. x 19/32" Long
	GD7805	5	Special Washer, 5/8", Hardened
	G10107	5	Lock Nut, 5/8"-11
4.	GD17215	1	Plate
5.	GA11676	1	PTO Pump
6.	G6801-12	2	Elbow W/O-Ring, 90°, 1 1/16"-12 Male JIC To O-Ring
	GR1467	-	O-Ring
7.	GD16994	1	Special Elbow W/O-Ring, 90°, 1 5/8"-12 Male JIC To O-Ring
	GR1787	-	O-Ring
8.	G6801-20	1	Elbow W/O-Ring, 90°, 1 5/8"-12 Male JIC To O-Ring
	GR1787	-	O-Ring
9.	GA11678	1	Gearbox Mounting Kit, Includes: (4) Bolts, (1) O-Ring, (2) Retainers, (1) Gear

INNER SLIDE HITCH

(FWD58/FWD132)

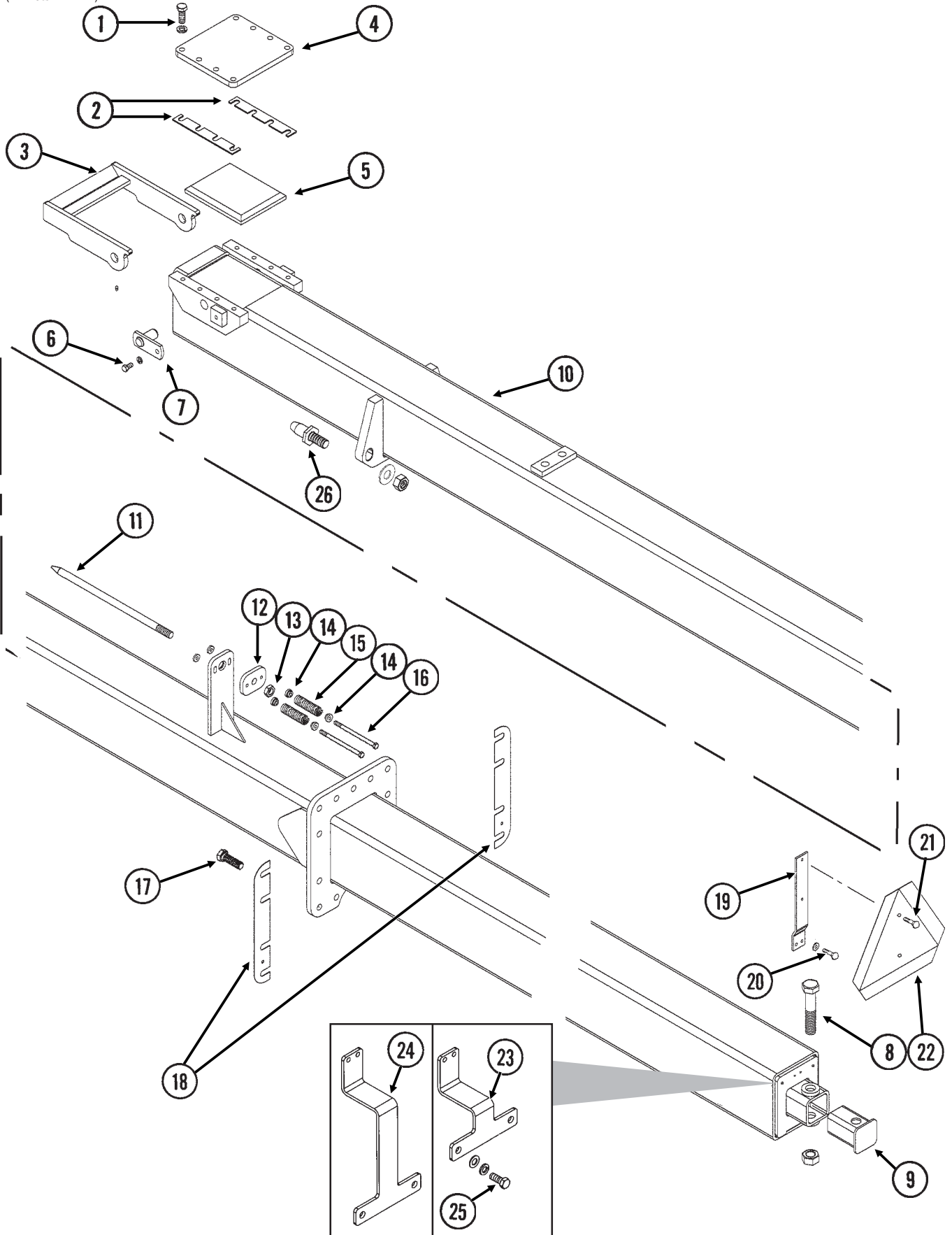


INNER SLIDE HITCH

ITEM	PART NO.	QTY.	DESCRIPTION
1.	GA11079	2	Hammer Strap, Category 3N And 3
2.	G10007	2	Hex Head Cap Screw, $\frac{5}{8}$ "-11 x 1 $\frac{1}{2}$ "
	G10230	2	Lock Washer, $\frac{5}{8}$ "
3.	GA11078	1	Hitch Bar
4.	G11048	2	Hex Head Cap Screw, $\frac{3}{8}$ "-16 x 7 $\frac{1}{2}$ "
	GB0212	2	Spring Washer
	G10210	2	Washer, $\frac{3}{8}$ " USS
	G10108	2	Lock Nut, $\frac{3}{8}$ "-16
5.	GA11082	1	Pivot Bolt W/Grease Fitting, 1 $\frac{3}{4}$ " x 10 $\frac{3}{8}$ " (Total Length)
	G10640	-	Grease Fitting, $\frac{1}{4}$ "-28
	GD16303	2	Washer, 3" O.D. x 1 $\frac{25}{32}$ " x $\frac{1}{4}$ " Thick
	GD16226	1	Sleeve, 3" O.D. x 1 $\frac{25}{32}$ " x $\frac{29}{32}$ " Thick
6.	G10005	1	Hex Head Cap Screw, $\frac{5}{8}$ "-11 x 1 $\frac{1}{4}$ "
	G10230	1	Lock Washer, $\frac{5}{8}$ "
7.	GD15100	1	Pivot Lock
8.	GA10346	1	Pin, 15"
9.	GA11083	1	Hitch Pivot W/Bushings And Grease Fittings
	GD14562	2	Hardened Bushing, 2 $\frac{3}{4}$ " O.D. x 2 $\frac{1}{4}$ " I.D. x 3"
	G10779	2	Grease Fitting, 90°, $\frac{1}{4}$ "-28
10	GD3180-10	1	Sleeve, $\frac{5}{8}$ " I.D. x $\frac{7}{8}$ " O.D. x 3 $\frac{1}{4}$ " Long
11.	GA10420	1	Inner Hitch, 287 $\frac{1}{4}$ ", 24 Row 30"
	GA10210	-	Inner Hitch, 347 $\frac{1}{4}$ ", 32 Row 30"
	GA10271	-	Inner Hitch, 377 $\frac{1}{4}$ ", 36 Row 30"
12.	G10046	1	Hex Head Cap Screw, $\frac{5}{8}$ "-11 x 5"
	G10107	1	Lock Nut, $\frac{5}{8}$ "-11
13.	G10809	1	Hex Head Cap Screw, $\frac{3}{8}$ "-16 x 3 $\frac{1}{4}$ "
	G10108	1	Lock Nut, $\frac{3}{8}$ "-16
14.	GD7137	1	Pin, $\frac{3}{4}$ " x 3 $\frac{3}{8}$ "
15.	GD2971-09	1	Sleeve, 2" Long
16.	G10457	2	Cotter Pin, $\frac{5}{32}$ " x 1 $\frac{1}{2}$ "
17.		1	See "Tongue Latch Cylinder", Page P117
18.	G10460	3	Cotter Pin, $\frac{1}{4}$ " x 2"
19.	GD3737	2	Pin, 1 $\frac{1}{4}$ " x 8 $\frac{1}{2}$ "
20.	GD2558	1	Lynch Pin, $\frac{1}{4}$ "
21.	GA10280	1	Hitch Stand
22.	G11099	4	Hex Socket Head Cap Screw, $\frac{3}{8}$ "-16 x 1 $\frac{1}{2}$ ", Grade 8
23.	GD14812	1	Wear Pad, 5 $\frac{7}{8}$ " x 6 $\frac{1}{2}$ " x 1"
24.	GD15725	1	Washer, 4" O.D. x 2 $\frac{1}{4}$ " I.D. x $\frac{1}{4}$ "
25.	GD7145	1	U-Bolt, 7" x 7" x $\frac{1}{2}$ "-13
	G10228	2	Lock Washer, $\frac{1}{2}$ "
	G10102	2	Hex Nut, $\frac{1}{2}$ "-13
26.	GA11762	1	Pump Storage Bracket
27.	GD16227	2	Bushing, 2" O.D. x 1 $\frac{29}{64}$ " I.D. x 5 $\frac{5}{8}$ ", Category 4

OUTER SLIDE HITCH

(FWD9a/FWD112)



OUTER SLIDE HITCH

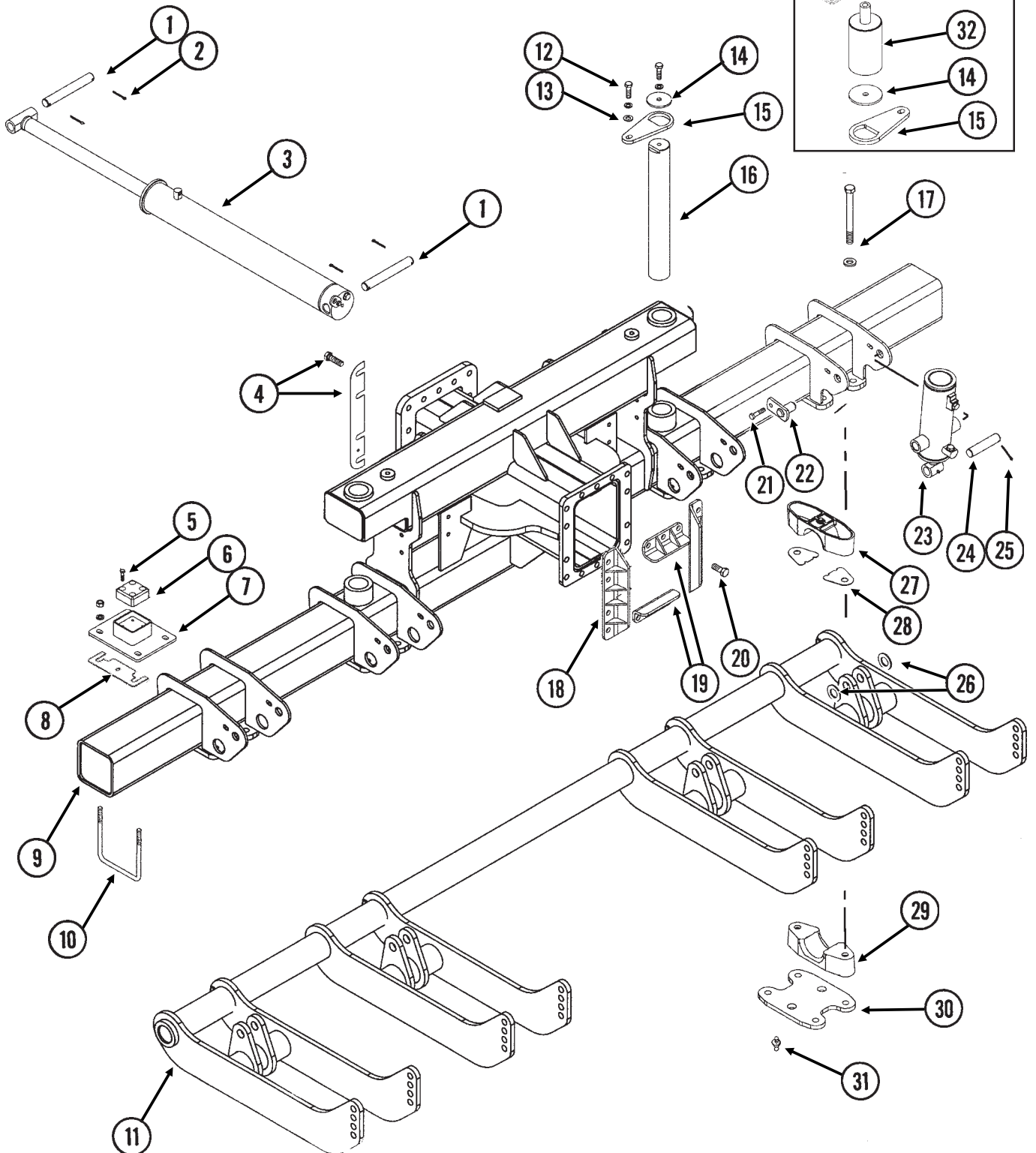
ITEM	PART NO.	QTY.	DESCRIPTION
1.	G10026	8	Hex Head Cap Screw, $\frac{3}{4}$ "-10 x 2"
	G10231	8	Lock Washer, $\frac{3}{4}$ "
2.	GD14842	4	Shim, 1 $\frac{1}{2}$ " x 10 $\frac{1}{2}$ ", 10 Gauge
3.	GA10281	1	Catch W/Grease Fittings
	G10640	-	Grease Fitting, $\frac{1}{4}$ "-28
4.	GD14841	1	Cover, 10 $\frac{1}{2}$ " x 11" x $\frac{3}{4}$ "
5.	GD14843	1	Wear Pad
6.	G10014	2	Hex Head Cap Screw, $\frac{1}{2}$ "-13 x 1"
	G10228	2	Lock Washer, $\frac{1}{2}$ "
7.	GA10282	2	Pin, 2 $\frac{1}{4}$ "
8.	G10042	1	Hex Head Cap Screw, 1 $\frac{1}{4}$ "-7 x 6 $\frac{1}{2}$ "
	G10239	1	Hex Nut, 1 $\frac{1}{4}$ "-7
9.	GA10483	1	Hitch Endcap
10.	GA10421	1	Outer Hitch, 265 $\frac{5}{8}$ ", 24 Row 30"
	GA10221	1	Outer Hitch, 325 $\frac{5}{8}$ ", 32 Row 30"
	GA10269	1	Outer Hitch, 355 $\frac{5}{8}$ ", 36 Row 30"
11.	GD15669	1	Rod, $\frac{7}{8}$ " x 21"
12.	GD15668	1	Tap Block, 4" x 3" x $\frac{1}{2}$ "
13.	G10189	1	Hex Jam Nut, $\frac{7}{8}$ "-14
14.	GD15674	4	Spring Seat
15.	GD15675	2	Compression Spring
16.	G10756	2	Hex Head Cap Screw, $\frac{3}{8}$ "-16 x 6"
	G10203	2	Washer, $\frac{3}{8}$ " SAE
	G10108	2	Lock Nut, $\frac{3}{8}$ "-16
17.	G10027	8	Hex Head Cap Screw, $\frac{3}{4}$ "-10 x 2 $\frac{1}{2}$ "
	G10026	-	Hex Head Cap Screw, $\frac{3}{4}$ "-10 x 2"
	G10231	8	Lock Washer, $\frac{3}{4}$ "
	G10105	8	Hex Nut, $\frac{3}{4}$ "-10
18.	GD15451	3	Shim, 2 $\frac{3}{4}$ " x 18", 16 Gauge, 24 Row 30"
	GD15780	3	Shim, 1 $\frac{7}{8}$ " x 18", 22 Gauge, 24 Row 30"
	GD14842	-	Shim, 1 $\frac{1}{2}$ " x 10 $\frac{1}{2}$ ", 10 Gauge, 32 Row 30" And 36 Row 30"
	GD15450	-	Shim, 2 $\frac{3}{4}$ " x 24", 16 Gauge, 32 Row 30" And 36 Row 30"
	GD15796	-	Shim, 2 $\frac{3}{4}$ " x 24", 22 Gauge, 32 Row 30" And 36 Row 30"
19.	GD15624	1	SMV Bracket
20.	G10043	2	Hex Head Cap Screw, $\frac{5}{16}$ "-18 x $\frac{3}{4}$ "
	G10232	2	Lock Washer, $\frac{5}{16}$ "
21.	G10020	2	Hex Head Cap Screw, $\frac{1}{4}$ "-20 x $\frac{5}{8}$ "
	G10227	2	Lock Washer, $\frac{1}{4}$ "
	G10103	2	Hex Nut, $\frac{1}{4}$ "-20
22.	GD2199	1	SMV Sign
23.	GD16786	1	SMV Extension Bracket, 9 $\frac{3}{4}$ ", 24 Row 30" SDS
24.	GD16787	-	SMV Extension Bracket, 15 $\frac{3}{4}$ ", 32 Row 30" And 36 Row 30" SDS
25.	G10037	2	Hex Head Cap Screw, $\frac{1}{2}$ "-13 x 1 $\frac{1}{4}$ "
	G10228	2	Lock Washer, $\frac{1}{2}$ "
	G10206	2	Washer, $\frac{1}{2}$ " SAE
26.	GD18004	2	Hitch Lock Pin
	G11132	2	Washer, 1 $\frac{1}{8}$ " SAE
	G11097	2	Hex Nut, 1 $\frac{1}{8}$ "-12

CENTER TOOLBAR/REAR H-FRAME ASSEMBLY

(FWD10b/FWD115)

24 Row 30" SDS Only

This inset diagram shows the assembly of a 24 Row 30" SDS. It includes a long pin (33), a bracket (34), a sleeve (32), a washer (14), a nut (15), and a hook (15).

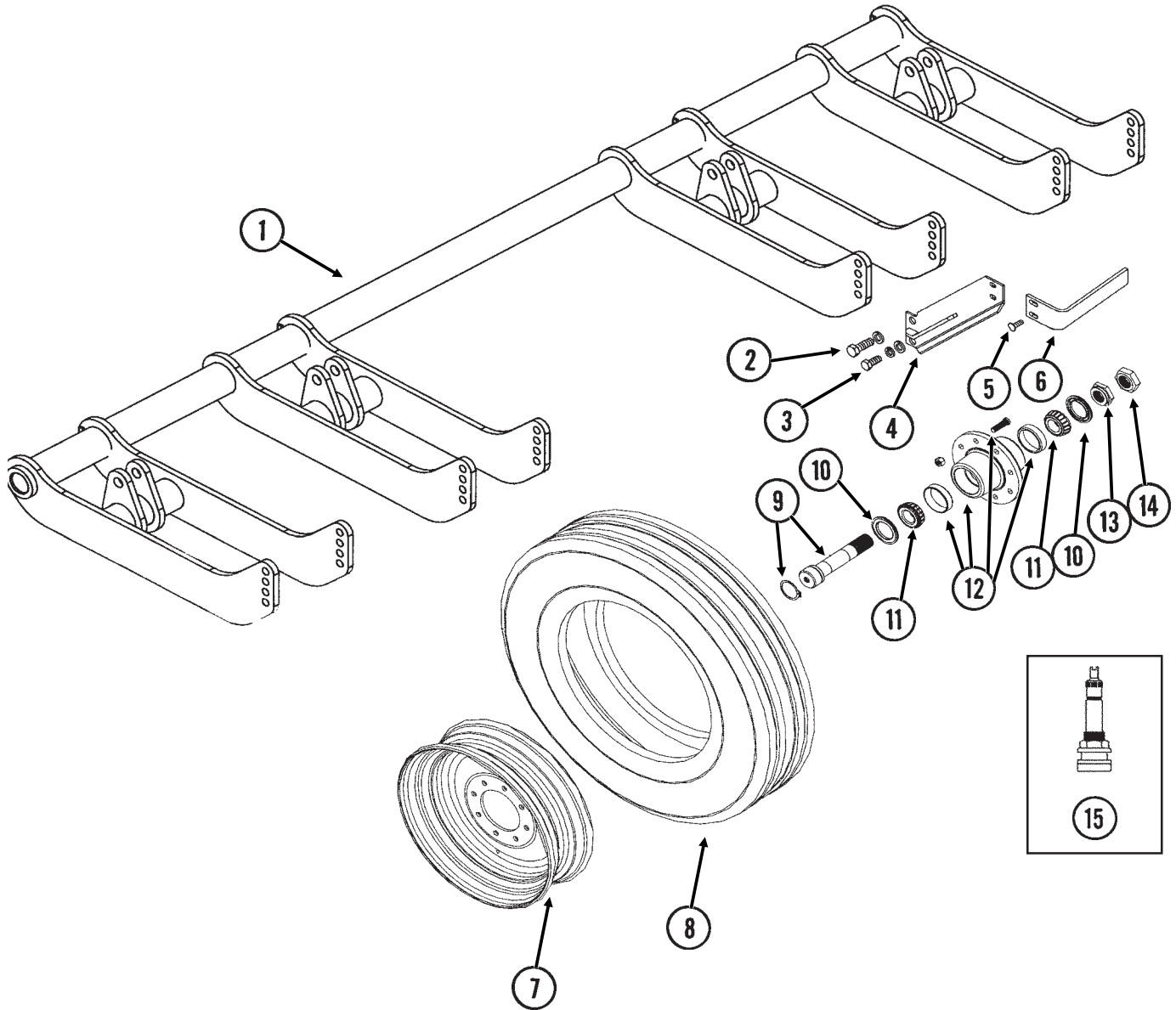


CENTER TOOLBAR/REAR H-FRAME ASSEMBLY

ITEM	PART NO.	QTY.	DESCRIPTION
1.	GD15051	2	Pin, 1 1/4" x 9 1/4"
2.	G10460	4	Cotter Pin, 1/4" x 2"
3.		-	See "Axle Slide Cylinder", Pages P115 And P116
4.		-	See "Outer Hitch", Pages P48 And P49
5.	G11099	8	Hex Socket Head Cap Screw, 3/8"-16 x 1 1/2", Grade 8
6.	GD15169	2	Wear Block
7.	GA10343	2	Mount, 8" x 10"
8.	GD15170	-	Shim, 3 1/4" x 10", 16 Gauge (As Required)
9.	GA11210	1	H-Frame Assembly, 24 Row 30"
	GA11215	-	H-Frame Assembly, 32 Row 30" And 36 Row 30"
10.	GD17039	4	U-Bolt, 7" x 7" x 5/8"-11
	G10230	8	Lock Washer, 5/8"
	G10104	8	Hex Nut, 5/8"-11
11.			See "Rock Shaft Axle Assembly And Wheels", Pages P64 And P65
12.	G10008	4	Hex Head Cap Screw, 5/8"-11 x 2"
	G10230	4	Lock Washer, 5/8"
13.	G10217	2	Washer, 5/8" USS
14.	GD15046	2	Washer, 21/32" I.D. x 4" O.D. x 1/4"
15.	GD15045	2	Capture Plate
16.	GD15369	2	Pivot Pin, 3" x 22 1/2", 24 Row 30"
	GD15047	2	Pivot Pin, 3" x 28 1/2", 32 Row 30" And 36 Row 30"
17.	G11095	16	Hex Head Cap Screw, 7/8"-9 x 9"
	GD10063	16	Washer, 7/8", Hardened
	G10418	16	Lock Nut, 7/8"-9
18.	GB0357	2	Keeper, 24 Row 30"
	GB0356	-	Keeper, 32 Row 30" And 36 Row 30"
19.	GB0355	2	Keeper
20.	G10802	16	Hex Head Cap Screw, 3/4"-10 x 2 3/4"
	G10231	16	Lock Washer, 3/4"
	G10105	16	Hex Nut, 3/4"-10
21.	G10017	8	Hex Head Cap Screw, 1/2"-13 x 1 1/2"
	G10111	8	Lock Nut, 1/2"-13
22.	GA6761	8	Pin, 2 1/8"
23.		-	See "Master Cylinder", Page P110
24.	GD5841	4	Pin, 1 1/4" x 5 5/8"
25.	G10460	8	Cotter Pin, 1/4" x 2"
26.	G10226	8	Washer, 1 1/4" SAE
27.	GB0332	8	Bearing
28.	GD15172	16	Shim
29.	GD14941	8	Bearing
30.	GD14926	4	Clamp Plate
31.	G10640	8	Grease Fitting, 1/4"-28
32.	GA11385	1	Pivot Post, 24 Row 30"
33.	G10953	1	Hex Head Cap Screw, 5/8"-11 x 10"
	G10230	1	Lock Washer, 5/8"
34.		-	See "Wing Auger Assemblies, 24 Row 30" (SDS)", Pages P20 And P21

ROCK SHAFT AXLE ASSEMBLY AND WHEELS

(FWD10c)



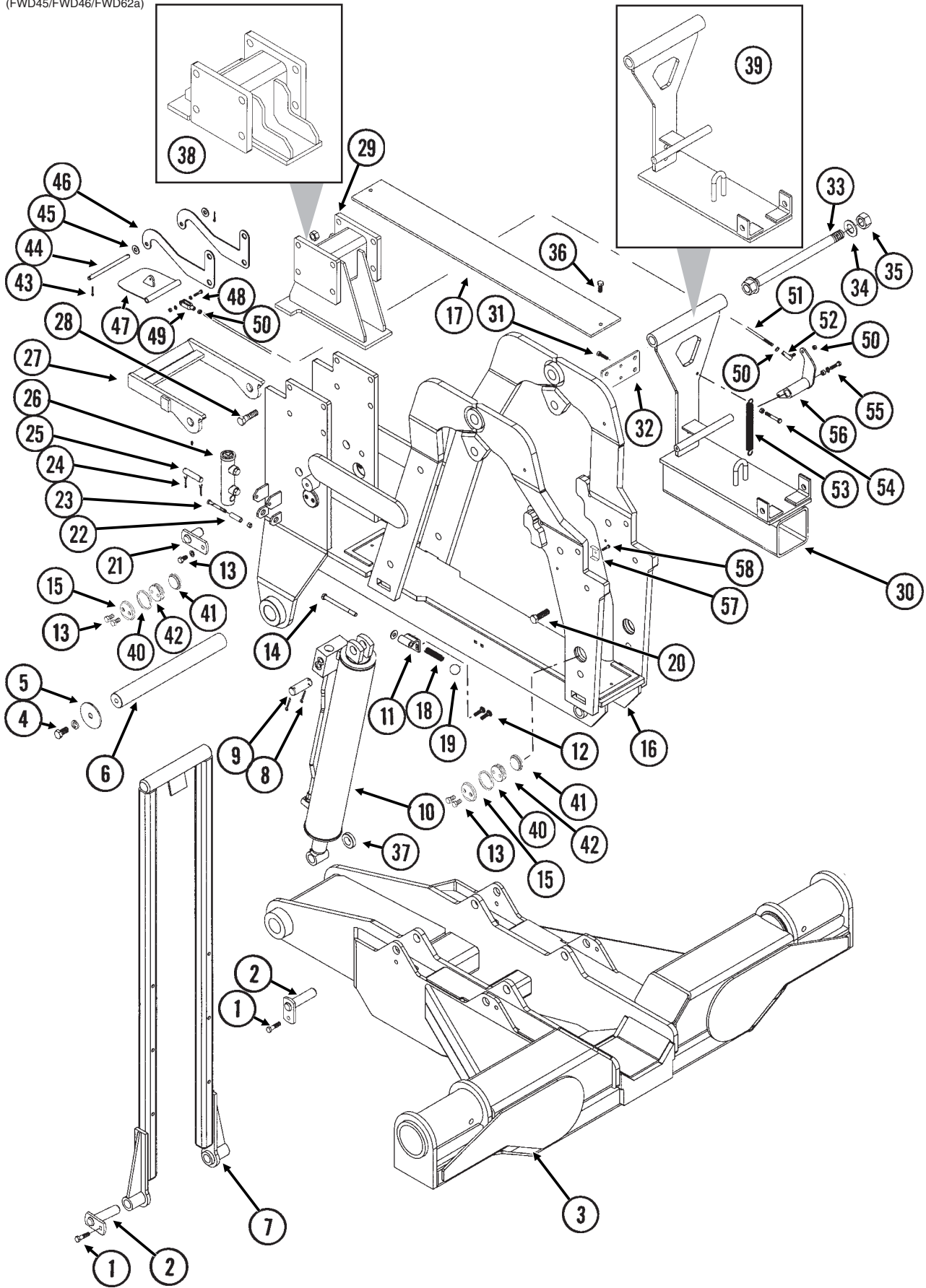
ROCK SHAFT AXLE ASSEMBLY AND WHEELS

ITEM	PART NO.	QTY.	DESCRIPTION
1.	GA11174	1	Rock Shaft Axle, 133 1/2"
2.	G10448	8	Hex Head Cap Screw, 7/8"-9 x 2 1/2", Grade 8
	G10330	8	Lock Washer, 7/8"
3.	G11071	4	Hex Head Cap Screw, 3/4"-10 x 2 1/4"
	G10194	8	Washer, 3/4" SAE
	G10231	4	Lock Washer, 3/4"
	G10105	4	Hex Nut, 3/4"-10
4.	GA11227	4	Scraper Mount
5.	G10636	8	Carriage Bolt, 1/2"-13 x 1 1/2"
	G10216	8	Washer, 1/2" USS
	G10228	8	Lock Washer, 1/2"
	G10102	8	Hex Nut, 1/2"-13
6.	GD12543	4	Scraper
7.	GA9544	4	Rim, 5.5" x 22.5"
8.	GD15406	4	Tire, 41 x 11 R22.5" W/O Center Rib (Specify Brand*)
9.	GA10139	4	Spindle W/Retaining Ring, 1 3/4"
	G10913	-	External Retaining Ring, 2 1/2"
10.	GA4722	8	Seal
11.	GA4723	8	Bearing
12.	GA4729	4	Hub W/Cups, Bolts, Nuts And Grease Fitting, 8 Bolt, 1 3/4" Bore
	G10640	-	Grease Fitting, 1/4"-28
	GD7079	-	Cup
	GR0528	-	Stud, 5/8"-12 x 2 1/4", Grade 8
	GR0531	-	Lug Nut, 5/8"-18 UNF
13.	GD7089	4	Special Nut, 1 3/4"-12 UNF
14.	GD7864	4	Special Hex Nut, 1 3/4"-12 UNF
15.	GA7434	4	Valve Stem
A.	GA10553	-	Tire And Rim Assembly (Items 7, 8 And 15) (Specify Brand*)

* Specific brand requests will be supplied only as available from current KINZE® Repair Parts stock. If a specific brand requested is not in stock, the brand available will be supplied.

SLIDE ASSEMBLY

(FWD45/FWD46/FWD62a)



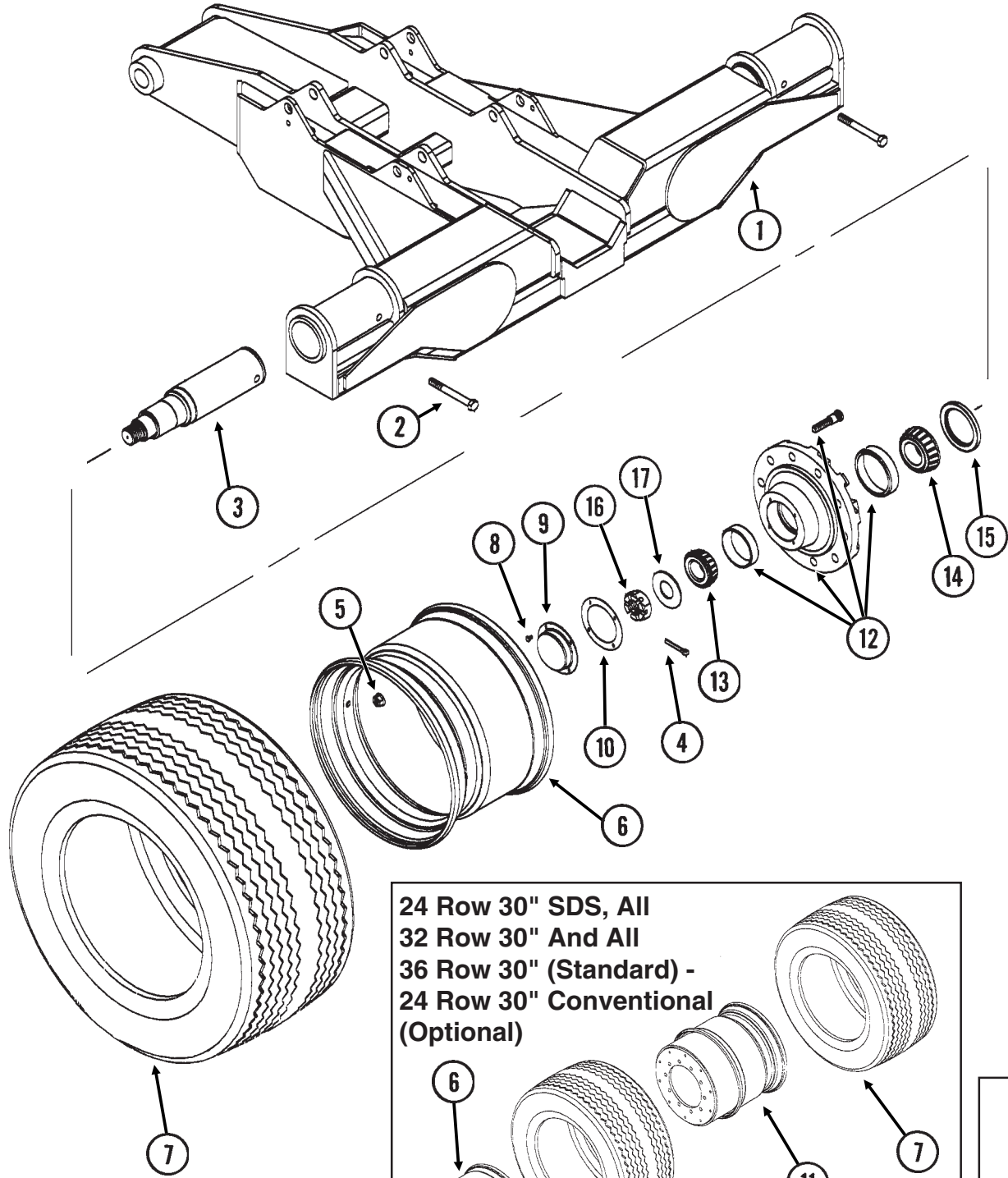
SLIDE ASSEMBLY

ITEM	PART NO.	QTY.	DESCRIPTION
1.	G10017	4	Hex Head Cap Screw, 1/2"-13 x 1 1/2"
	G10111	4	Lock Nut, 1/2"-13
2.	GA10279	4	Pin, 5 1/4"
3.		-	See "Transport Axle Assembly And Wheels", Pages P68 And P69
4.	G10025	2	Hex Head Cap Screw, 3/4"-10 x 1 1/2"
	G10231	2	Lock Washer, 3/4"
5.	GD15041	2	Washer, 13/16" I.D. x 4" O.D., 7 Gauge
6.	GD15042	1	Pin, 2 1/4" x 20 1/16"
7.	GA10503	1	Lockup, 68 3/8"
8.	G10460	4	Cotter Pin, 1/4" x 2"
9.	GD12790	2	Pin, 1 1/4" x 3 1/2"
10.		-	See "Transport Axle Cylinder", Page P118
11.	GA10504	2	Support
12.	G10301	4	Carriage Bolt, 3/8"-16 x 1 1/2"
	G10229	4	Lock Washer, 3/8"
	G10101	4	Hex Nut, 3/8"-16
13.	G10014	10	Hex Head Cap Screw, 1/2"-13 x 1"
	G10228	10	Lock Washer, 1/2"
14.	G10871	2	Hex Head Cap Screw, 1/2"-13 x 6"
	G10216	2	Washer, 1/2" USS
	G10111	2	Lock Nut, 1/2"-13
15.	GB0230	4	Cap
16.	GA11207	1	Slide Assembly, 24 Row 30"
	GA11206	-	Slide Assembly, 32 Row 30" And 36 Row 30"
17.	GD15492	1	Wear Pad, 6" x 48"
18.	GD15677	2	Compression Spring
19.	GD15679	2	Ball Knob
20.	G10027	2	Hex Head Cap Screw, 3/4"-10 x 2 1/2"
	G10112	2	Lock Nut, 3/4"-10
21.	GA10282	2	Pin, 2 1/4"
22.	GD2971-09	1	Sleeve, 2" Long
23.	G10809	1	Hex Head Cap Screw, 3/8"-16 x 3 1/4"
	G10108	1	Lock Nut, 3/8"-16
24.	G10457	2	Cotter Pin, 5/32" x 1 1/2"
25.	GD7137	1	Pin, 3/4" x 3 3/8"
26.		-	See "Slide Latch Cylinder", Page P117
27.	GA10466	1	Catch W/Grease Fittings
	G10640	-	Grease Fitting, 1/4"-28
28.	G10802	8	Hex Head Cap Screw, 3/4"-10 x 2 3/4"
	G10112	8	Lock Nut, 3/4"-10
29.	GA10595	1	Slide Bracket, 24 Row 30"
30.	GA11353	1	Rear Bracket, 24 Row 30"
31.	G10003	8	Hex Head Cap Screw, 3/8"-16 x 1 1/2"
	G10229	8	Lock Washer, 3/8"
	G10101	8	Hex Nut, 3/8"-16
32.	GD15664	1	Plate, 3 9/16" x 7 1/4"
33.	GA10455	1	Cross Pin, 19"
34.	G10226	1	Washer, 1 1/4" SAE
35.	G10157	1	Lock Nut, 1 1/4"-7
36.	G11130	2	Hex Socket Head Cap Screw, 5/16"-18 x 1 1/2", Grade 8
	G10109	2	Lock Nut, 5/16"-18, Grade 8
37.	GD0752-53	2	Sleeve, 3/8"
38.	GA10584	1	Slide Bracket, 32 Row 30" And 36 Row 30"
39.	GA11634	1	Rear Bracket, 32 Row 30" And 36 Row 30"
40.	GD15783	4	Spacer, 2 3/4" O.D. x 2 7/16" x 1/4", 24 Row 30"
41.	GD9093	4	Poly Wear Pad
42.	GB0234	4	Adjustment Plug
43.	G10470	2	Cotter Pin, 5/32" x 1"
44.	GD16394	1	Pin, 1/2" x 7 1/2"
45.	G10216	2	Washer, 1/2" USS
46.	GD16388	2	Mount
47.	GA11262	1	Flap
48.	G10857	1	Hex Head Cap Screw, 1/4"-20 x 1 1/4"
	G10211	2	Washer, 1/4" SAE
	G10103	1	Hex Nut, 1/4"-20
49.	GD16392	1	Clevis
50.	G11179	3	Hex Nut, 5/16"-24
51.	GD16393	1	Rod
52.	GA11264	1	Link
53.	GD5857	1	Spring
54.	G10049	1	Hex Head Cap Screw, 3/8"-16 x 2 1/2"
	G10101	1	Hex Nut, 3/8"-16
	GD2971-15	1	Sleeve, 5/16" Long
55.	G10004	1	Hex Head Cap Screw, 3/8"-16 x 1 1/4"
	G10203	1	Washer, 3/8" SAE
56.	GA11263	1	Arm
57.	GD5892	2	Hose Clamp, 5/8" x 1 1/2" x 1 1/2"
58.	G10004	2	Hex Head Cap Screw, 3/8"-16 x 1 1/4"
	G10229	2	Lock Washer, 3/8"

TRANSPORT AXLE ASSEMBLY AND WHEELS

(FWD60/FWD61/A7434)

24 ROW 30" SHOWN



**24 Row 30" SDS, All
32 Row 30" And All
36 Row 30" (Standard) -
24 Row 30" Conventional
(Optional)**

6 7 11 19

18

TRANSPORT AXLE ASSEMBLY AND WHEELS

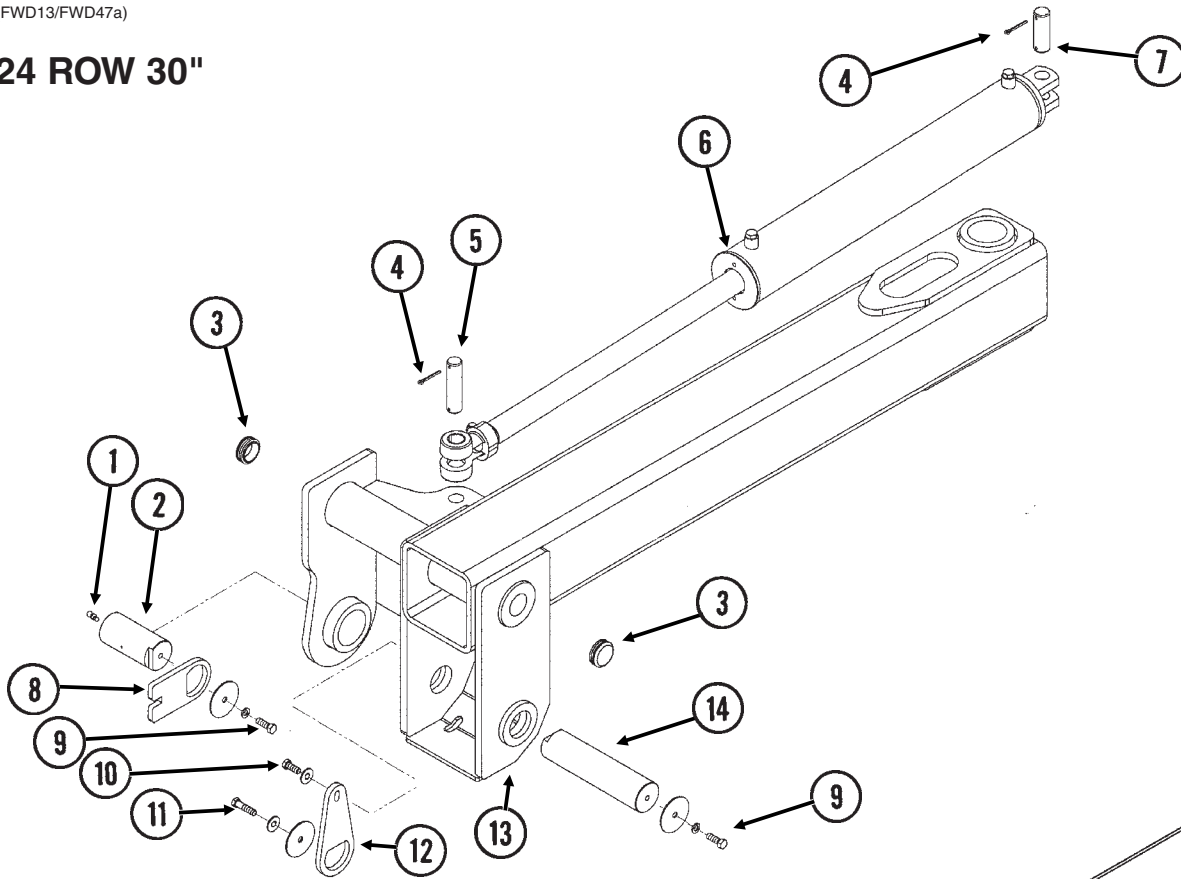
ITEM	PART NO.	QTY.	DESCRIPTION
1.	GA11199	1	Axle W/Grease Fittings, 24 Row 30"
	GA11112	1	Axle W/Grease Fittings, 32 Row 30" And 36 Row 30"
	G10640	2	Grease Fitting, 1/4"-28
2.	G10400	2	Hex Head Cap Screw, 3/4"-10 x 6 1/2"
	G10112	2	Lock Nut, 3/4"-10
3.	GD13740	2	Spindle, 4 1/2"
4.	G10471	2	Cotter Pin, 3/8" x 2 1/2"
5.	G10625	20	Flange Nut, 3/4"-16
6.	GA11277	2	Rim, 14" x 22.5"
7.	GD16058	2-4	Tire, 445-50R22.5 Radial Load Range H (Specify Brand*)
8.	G10054	8	Hex Head Cap Screw, 5/16"-18 x 1/2"
9.	GD1360	2	Dust Cap
10.	GD1359	2	Seal
11.	GA11265	2	Rim, 14" x 22.5", Offset
12.	GA9306	2	Hub W/Cups, Grease Fitting And Stud Bolts (10 Bolt High Strength)
	GR0192	-	Outer Cup
	GR0191	-	Inner Cup
	G10373	-	Grease Fitting, 45°, 1/8"-27
	GR1681	-	Bolt, 3/4"-16 x 3 7/8"
13.	GA0530	2	Outer Bearing
14.	GA0531	2	Inner Bearing
15.	GA0532	2	Seal
16.	G10726	2	Slotted Hex Nut, 2"-12
17.	G10198	2	Washer, 2" USS
18.	GA7434	-	Valve Stem
19.	G11174	10	Hex Head Cap Screw, 5/8"-11 x 2"
	GD7805	10	Special Washer, 5/8", Hardened
A.	GA11278	-	Tire And Rim Assembly (Items 6, 7, And 18)
	GA11266	-	Tire And Rim Assembly (Items 7, 11 And 18)
B.	GA9315	-	Hub And Spindle Assembly (Items 3, 4, 5, 8, 9, 10 And 12-17)

* Specific brand requests will be supplied only as available from current KINZE® Repair Parts stock. If a specific brand requested is not in stock, the brand available will be supplied.

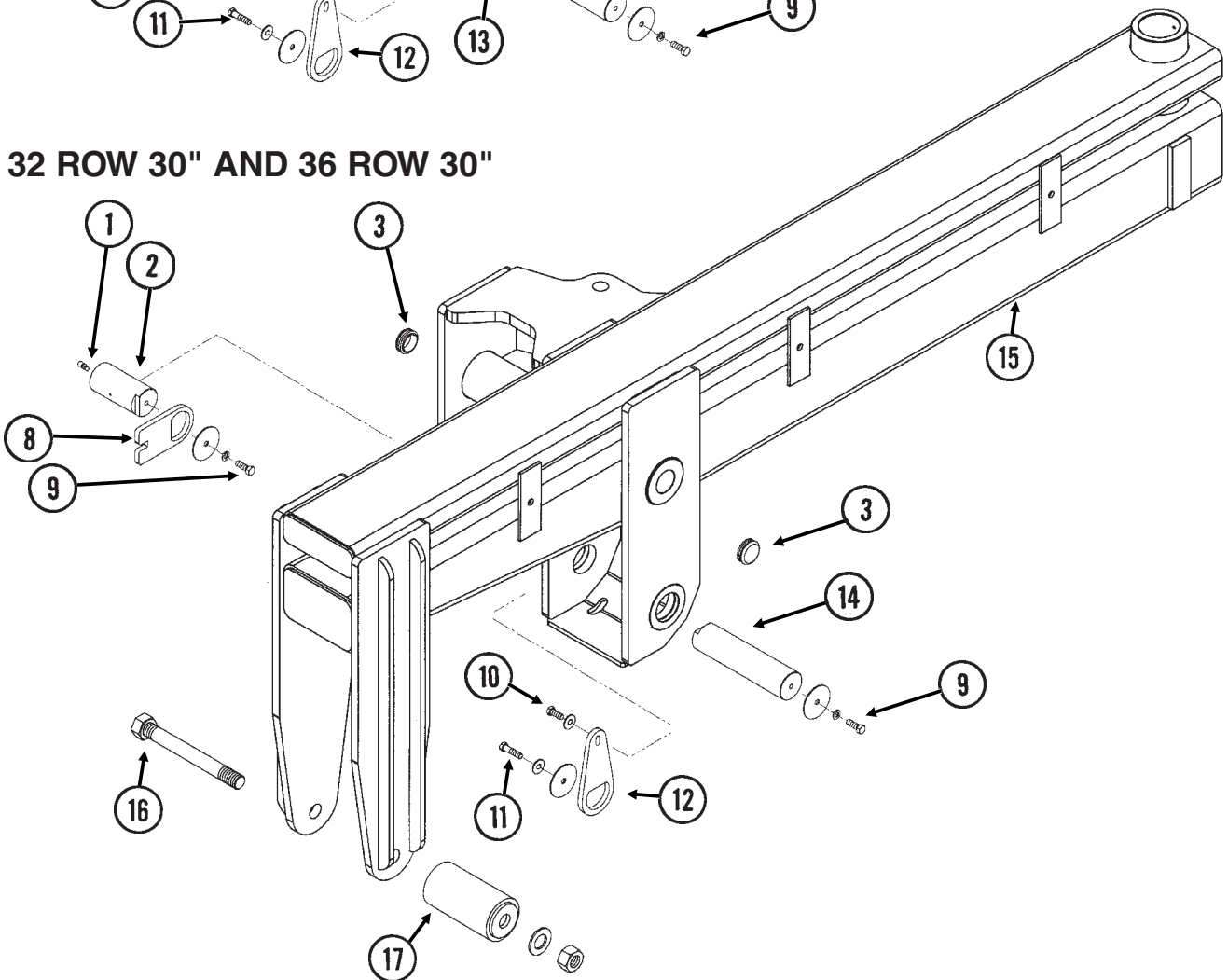
STUB WING

(FWD13/FWD47a)

24 ROW 30"



32 ROW 30" AND 36 ROW 30"



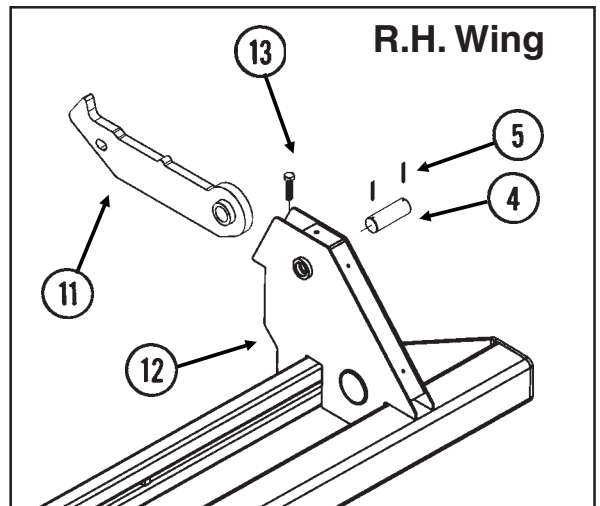
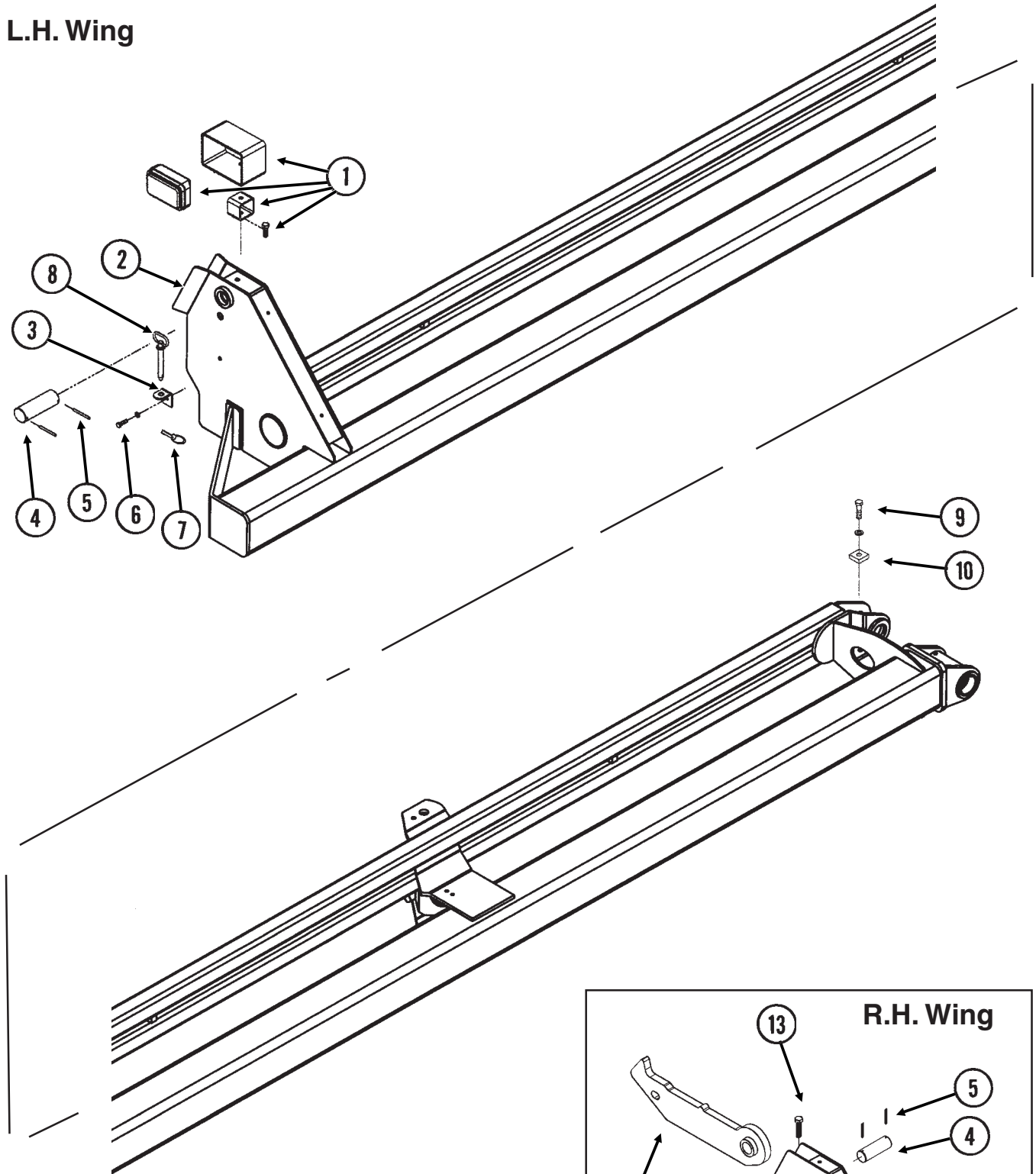
STUB WING

ITEM	PART NO.	QTY.	DESCRIPTION
		(Per Assy.)	
1.	G10640	1	Grease Fitting, 1/4"-28
2.	GD15067	1	Pin, 2 3/4" x 5 13/16"
3.	G11105	2	Cap
4.	G10460	4	Cotter Pin, 1/4" x 2"
5.	GD15048	1-2	Pin, 1 1/4" x 5 1/16"
6.		-	See "Wing Fold Cylinder", Page P114
7.	GD15049	1-2	Pin, 1 1/4" x 4 5/16"
8.	GD15069	1	Capture Plate
9.	G10017	2	Hex Head Cap Screw, 1/2"-13 x 1 1/2"
	G10228	2	Lock Washer, 1/2"
	GD15068	2	Washer, 3 3/4" O.D. x 1/2" I.D. x 1/4"
10.	G10037	1	Hex Head Cap Screw, 1/2"-13 x 1 1/4"
	G10216	1	Washer, 1/2" USS
11.	G10016	1	Hex Head Cap Screw, 1/2"-13 x 2"
	G10216	1	Washer, 1/2" USS
	GD15068	1	Washer, 3 3/4" O.D. x 1/2" I.D. x 1/4"
12.	GD15072	1	Capture Plate
13.	GA11219	1	Stub Wing W/Bushings And Grease Fittings, L.H., 24 Row 30" (Shown)
	GA11220	-	Stub Wing W/Bushings And Grease Fittings, R.H., 24 Row 30"
	GD14565	-	Hardened Bushing, 3 1/2" O.D. x 3" I.D. x 4"
	GD14563	-	Hardened Bushing, 3 1/4" O.D. x 2 3/4" I.D. x 3"
	G10640	-	Grease Fitting, 1/4"-28
14.	GD15070	1	Pin, 2 3/4" x 11 1/4"
15.	GA11249	1	Stub Wing W/Bushings And Grease Fittings, L.H., 32 Row 30" And 36 Row 30" (Shown)
	GA11250	-	Stub Wing W/Bushings And Grease Fittings, R.H., 32 Row 30" And 36 Row 30"
	GD14565	-	Hardened Bushing, 3 1/2" O.D. x 3" I.D. x 4"
	GD14563	-	Hardened Bushing, 3 1/4" O.D. x 2 3/4" I.D. x 3"
	G10640	-	Grease Fitting, 1/4"-28
16.	GA10456	1	Roller Pin, 1 1/4"-7 x 12"
	G10226	1	Washer, 1 1/4" SAE
	G10239	1	Hex Nut, 1 1/4"-7
17.	GA10287	1	Roller

OUTER WING, 24 ROW 30"

(FWD63/FWD63a)

L.H. Wing



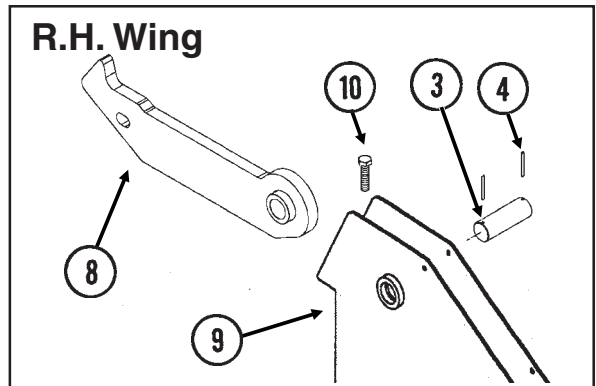
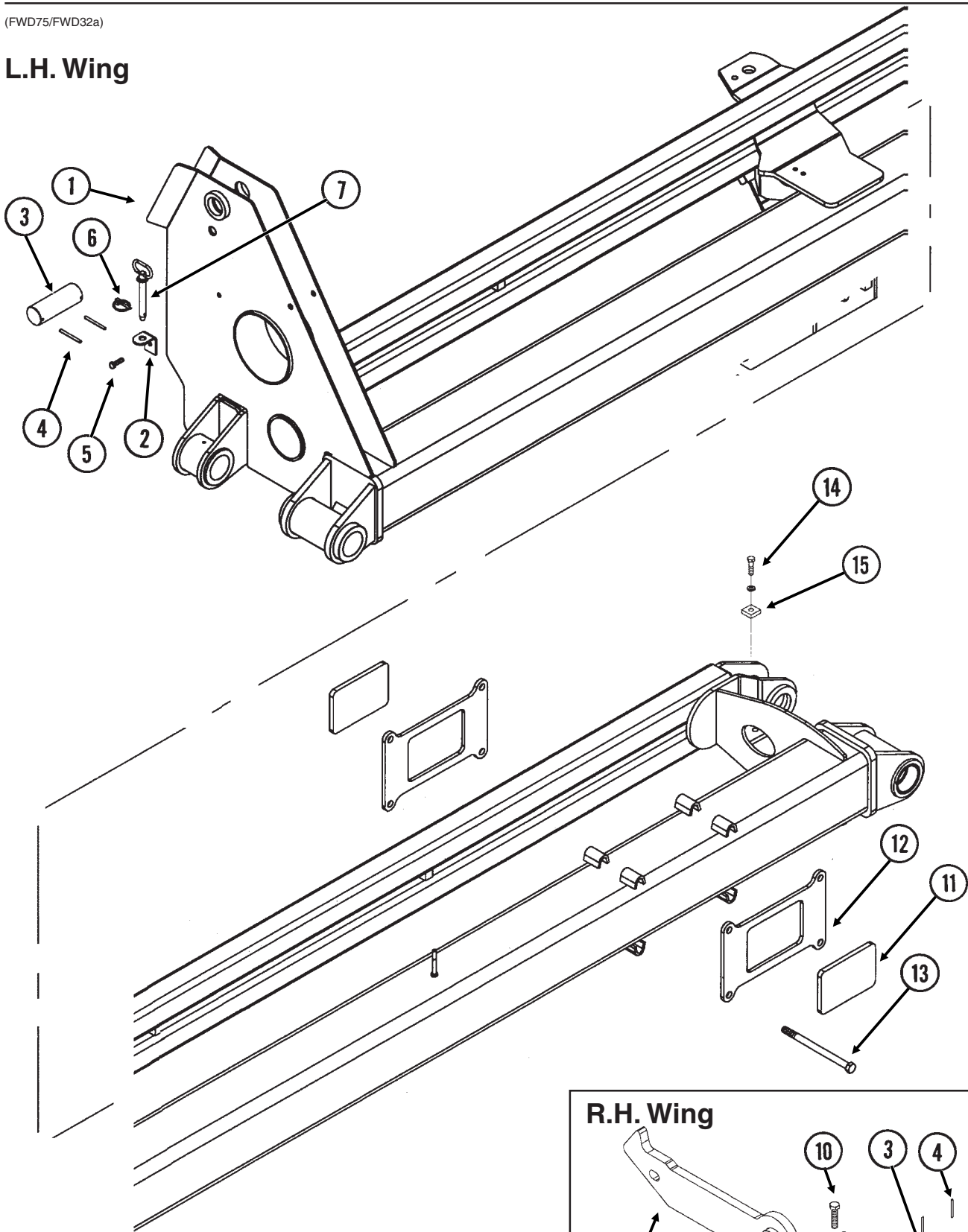
OUTER WING, 24 ROW 30"

ITEM	PART NO.	QTY.	DESCRIPTION
		(Per Assy.)	
1.		-	See "Light Assemblies And Brackets", Pages P146 And P147
2.	GA11225	1	Outer Wing W/Grease Fittings, Bushings And Sleeve, L.H., 284 1/8"
	G10640	-	Grease Fitting, 1/4"-28
	GD14563	-	Hardened Bushing, 3 1/4" O.D. x 2 3/4" I.D. x 3"
	GD15110	-	Sleeve, 3 1/4" I.D. x 2 7/8" O.D. x 1 7/8" Long
3.	GD15285	1	Storage Bracket
4.	GD15074	1	Pin, 2" x 5 3/4"
5.	G10191	2	Spring Pin, 1/4" x 2 3/4"
6.	G10004	1	Hex Head Cap Screw, 3/8"-16 x 1 1/4"
	G10229	1	Lock Washer, 3/8"
	G10101	1	Hex Nut, 3/8"-16
7.	GD5625	1	Lynch Pin, 3/16"
8.	GD15282	1	Pin, 5/8" x 4"
9.	G10016	1	Hex Head Cap Screw, 1/2"-13 x 2"
	G10228	1	Lock Washer, 1/2"
	G10111	1	Lock Nut, 1/2"-13
10.	GD15066	1	Stop
11.	GA10404	1	Outer Hook, 29 13/16" Long
12.	GA11226	1	Outer Wing W/Grease Fittings, Bushings And Sleeve, R.H., 284 1/8"
	G10640	-	Grease Fitting, 1/4"-28
	GD14563	-	Hardened Bushing, 3 1/4" O.D. x 2 3/4" I.D. x 3"
	GD15110	-	Sleeve, 3 1/4" I.D. x 2 7/8" O.D. x 1 7/8" Long
13.	G10543	1	Hex Head Cap Screw, 3/4"-10 x 3", Full Thread
	G10105	1	Hex Nut, 3/4"-10

INNER WING, 32 ROW 30" AND 36 ROW 30"

(FWD75/FWD32a)

L.H. Wing



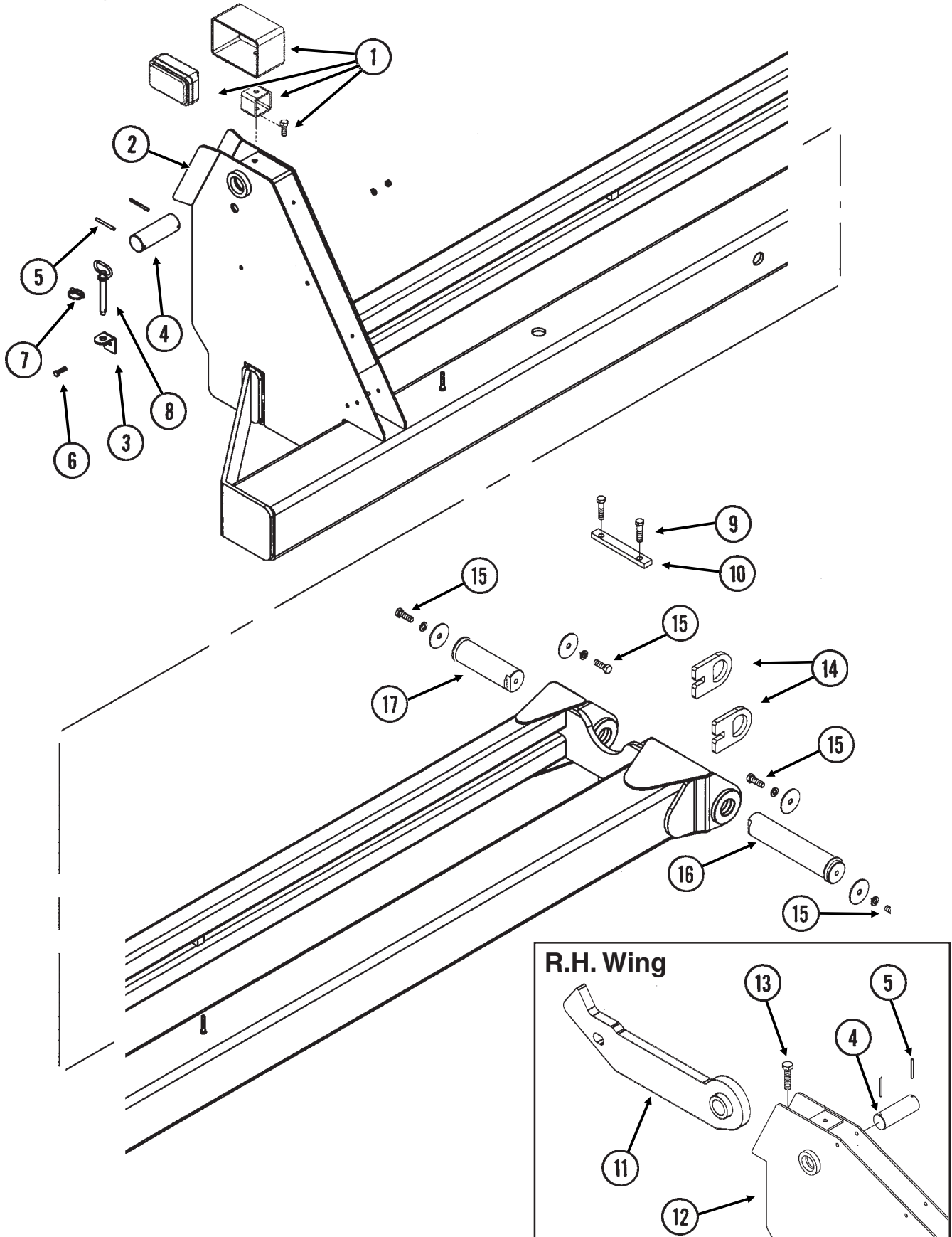
INNER WING, 32 ROW 30" AND 36 ROW 30"

ITEM	PART NO.	QTY.	DESCRIPTION
		(Per Assy.)	
1.	GA11307	1	Inner Wing W/Grease Fittings, Bushings, Spacer And Sleeve, L.H., 209 ⁵ / ₈ ", 32 Row 30"
	GA11323	-	Inner Wing W/Grease Fittings, Bushings, Spacer And Sleeve, L.H., 209 ⁵ / ₈ ", 36 Row 30"
	G10640	-	Grease Fitting, ¹ / ₄ "-28
	GD14564	-	Hardened Bushing, 2 ³ / ₄ " O.D. x 2 ¹ / ₄ " I.D. x 4 ¹ / ₂ "
	GD15109	-	Spacer, 2 ³ / ₄ " O.D. x 2 ³ / ₈ " I.D. x 2 ³ / ₈ "
	GD14562	-	Hardened Bushing, 2 ³ / ₄ " O.D. x 2 ¹ / ₄ " I.D. x 3"
	GD15110	-	Sleeve, 3 ¹ / ₄ " O.D. x 2 ⁷ / ₈ " I.D. x 1 ⁷ / ₈ " Long
	GD14563	-	Hardened Bushing, 3 ¹ / ₄ " O.D. x 2 ³ / ₄ " I.D. x 3"
2.	GD15285	1	Storage Bracket
3.	GD15074	1	Pin, 2" x 5 ³ / ₄ "
4.	G10191	2	Spring Pin, ¹ / ₄ " x 2 ³ / ₄ "
5.	G10004	1	Hex Head Cap Screw, ³ / ₈ "-16 x 1 ¹ / ₄ "
	G10229	1	Lock Washer, ³ / ₈ "
	G10101	1	Hex Nut, ³ / ₈ "-16
6.	GD5625	1	Lynch Pin, ³ / ₁₆ "
7.	GD15282	1	Pin, ⁵ / ₈ " x 4"
8.	GA10378	1	Inner Hook, 29 ¹ / ₄ " Long
9.	GA11308	-	Inner Wing W/Grease Fittings, Bushings, Spacer And Sleeve, R.H., 209 ⁵ / ₈ ", 32 Row 30"
	GA11324	-	Inner Wing W/Grease Fittings, Bushings, Spacer And Sleeve, R.H., 209 ⁵ / ₈ ", 36 Row 30"
	G10640	-	Grease Fitting, ¹ / ₄ "-28
	GD14564	-	Hardened Bushing, 2 ³ / ₄ " O.D. x 2 ¹ / ₄ " I.D. x 4 ¹ / ₂ "
	GD15109	-	Spacer, 2 ³ / ₄ " O.D. x 2 ³ / ₈ " I.D. x 2 ³ / ₈ " (If Applicable)
	GD14562	-	Hardened Bushing, 2 ³ / ₄ " O.D. x 2 ¹ / ₄ " I.D. x 3" (If Applicable)
	GD17450	-	Hardened Bushing, 2 ³ / ₄ " O.D. x 2 ¹ / ₄ " I.D. x 4 ³ / ₁₆ " (If Applicable)
	GD15110	-	Sleeve, 3 ¹ / ₄ " O.D. x 2 ⁷ / ₈ " I.D. x 1 ⁷ / ₈ " Long
	GD14563	-	Hardened Bushing, 3 ¹ / ₄ " O.D. x 2 ³ / ₄ " I.D. x 3"
10.	G10543	1	Hex Head Cap Screw, ³ / ₄ "-10 x 3", Full Thread
	G10105	1	Hex Nut, ³ / ₄ "-10
11.	GD15720	2	Bronze Pad, 5" x 7 ¹ / ₂ "
12.	GD15719	2	Capture Plate
13.	G10152	4	Hex Head Cap Screw, ⁵ / ₈ "-11 x 9"
	G10217	4	Washer, ⁵ / ₈ " USS
	G10107	4	Lock Nut, ⁵ / ₈ "-11
14.	G10016	1	Hex Head Cap Screw, ¹ / ₂ "-13 x 2"
	G10228	1	Lock Washer, ¹ / ₂ "
	G10111	1	Lock Nut, ¹ / ₂ "-13
15.	GD15066	1	Stop

OUTER WING, 32 ROW 30" AND 36 ROW 30"

(FWD48aa/FWD49)

L.H. Wing

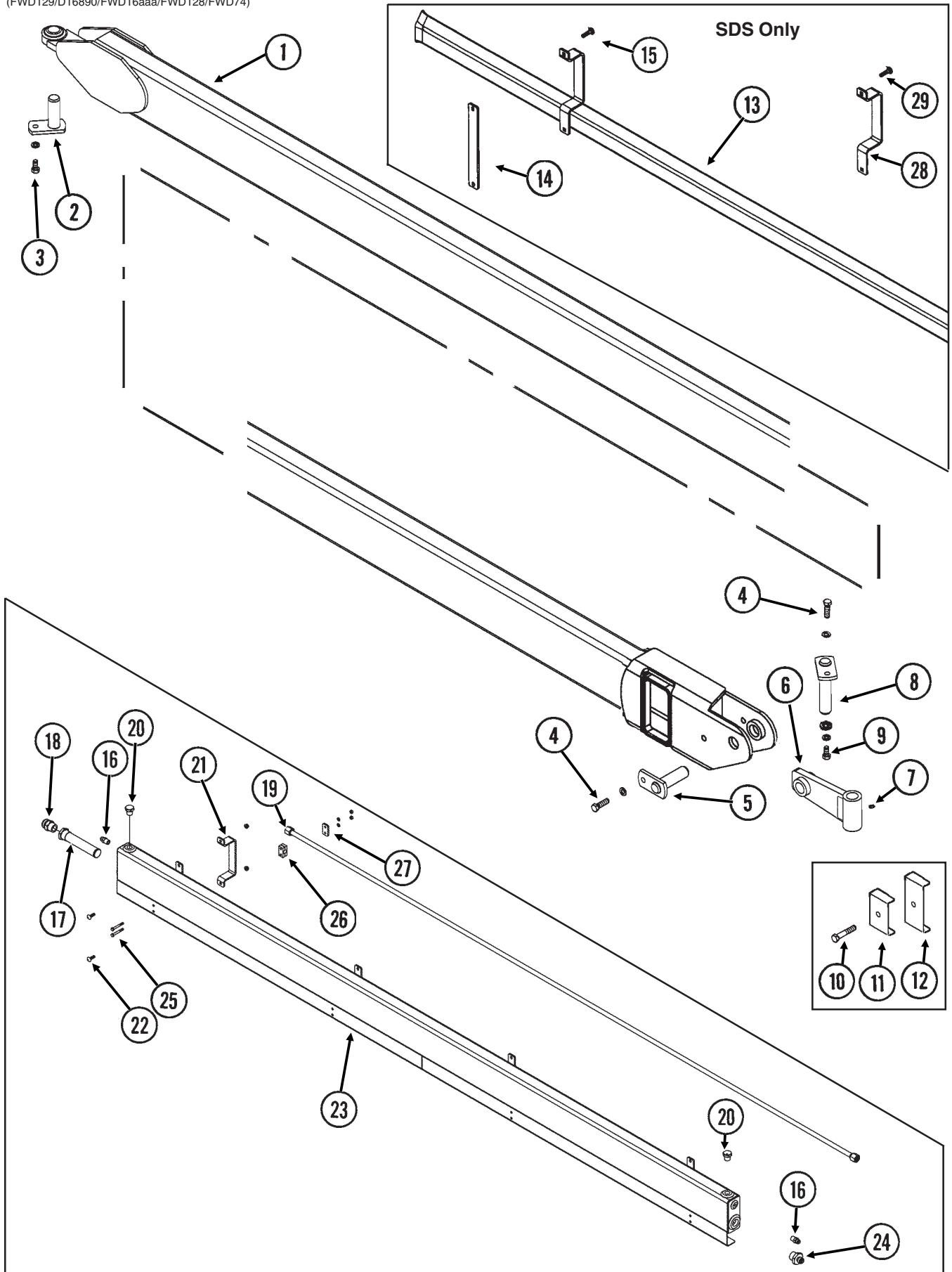


OUTER WING, 32 ROW 30" AND 36 ROW 30"

ITEM	PART NO.	QTY.	DESCRIPTION
		(Per Assy.)	
1.		-	See "Light Assemblies And Brackets", Pages P146 And P147
2.	GA10353	1	Outer Wing W/Grease Fittings, Bushings And Sleeve, L.H., 194 1/2", 32 Row 30"
	GA10413	1	Outer Wing W/Grease Fittings, Bushings And Sleeve, L.H., 254 1/2", 36 Row 30"
	G10640	-	Grease Fitting, 1/4"-28
	GD14563	-	Hardened Bushing, 3 1/4" O.D. x 2 3/4" I.D. x 3"
	GD15110	-	Sleeve, 3 1/4" O.D. x 2 7/8" I.D. x 1 7/8" Long
3.	GD15285	1	Storage Bracket
4.	GD15074	1	Pin, 2" x 5 3/4"
5.	G10191	2	Spring Pin, 1/4" x 2 3/4"
6.	G10004	1	Hex Head Cap Screw, 3/8"-16 x 1 1/4"
	G10229	1	Lock Washer, 3/8"
	G10101	1	Hex Nut, 3/8"-16
7.	GD5625	1	Lynch Pin, 3/16"
8.	GD15282	1	Pin, 5/8" x 4"
9.	G10016	2	Hex Head Cap Screw, 1/2"-13 x 2"
	G10228	2	Lock Washer, 1/2"
	G10111	2	Lock Nut, 1/2"-13
10.	GD15065	1	Capture Plate
11.	GA10743	-	Outer Hook, 29 15/16" Long
12.	GA10352	1	Outer Wing W/Grease Fittings, Bushings And Sleeve, R.H., 194 1/2", 32 Row 30"
	GA10414	1	Outer Wing W/Grease Fittings, Bushings And Sleeve, R.H., 254 1/2", 36 Row 30"
	G10640	-	Grease Fitting, 1/4"-28
	GD14563	-	Hardened Bushing, 3 1/4" O.D. x 2 3/4" I.D. x 3"
	GD15110	-	Sleeve, 3 1/4" O.D. x 2 7/8" I.D. x 1 7/8" Long
13.	G10543	1	Hex Head Cap Screw, 3/4"-10 x 3", Full Thread
	G10105	1	Hex Nut, 3/4"-10
14.	GD15064	2	Capture Plate
15.	G10026	4	Hex Head Cap Screw, 3/4"-10 x 2"
	G10231	4	Lock Washer, 3/4"
	GD17180	4	Washer, 3 1/2" O.D. x 13/16" I.D. x 3/8"
16.	GA12128	1	Pin, 2 1/4" x 11 1/8"
17.	GA12127	1	Pin, 2 1/4" x 7 1/8"

DRAFT LINK WITH RESERVOIR TANK

(FWD129/D16890/FWD16aaa/FWD128/FWD74)

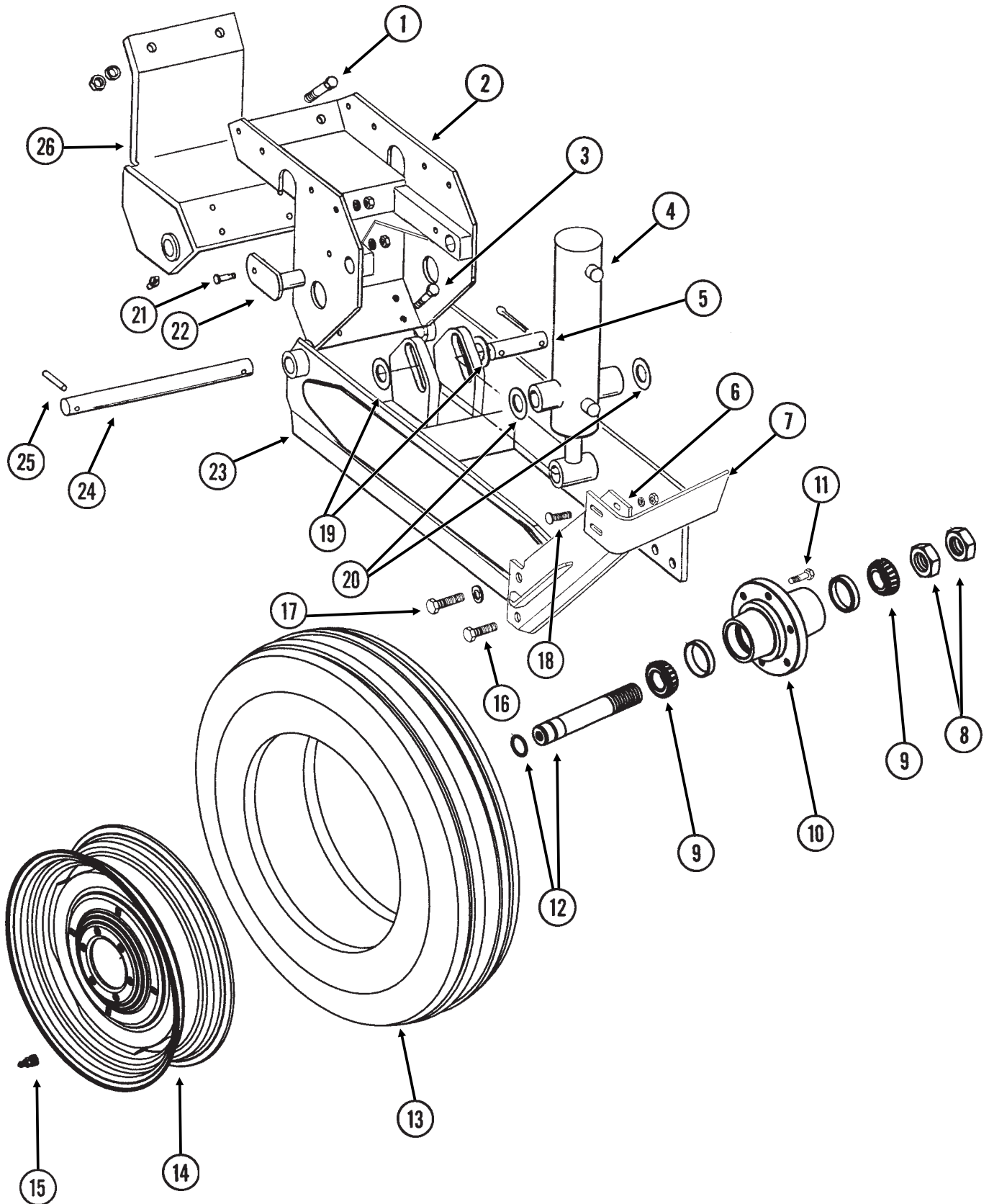


DRAFT LINK WITH RESERVOIR TANK

ITEM	PART NO.	QTY.	DESCRIPTION
		(Per Assy.)	
1.	GA11015	1	Draft Link, L.H., 202 ³ / ₈ ", 24 Row 30"
	GA11016	1	Draft Link, R.H., 202 ³ / ₈ ", 24 Row 30"
	GA11025	1	Draft Link, L.H., 277", 32 Row 30"
	GA11026	1	Draft Link, R.H., 277", 32 Row 30"
	GA11027	1	Draft Link, L.H., 314 ¹ / ₈ ", 36 Row 30"
	GA11028	1	Draft Link, R.H., 314 ¹ / ₈ ", 36 Row 30"
2.	GA10276	1	Pin, 3 ⁵ / ₈ "
3.	G10014	1	Hex Head Cap Screw, ¹ / ₂ "-13 x 1"
	G10228	1	Lock Washer, ¹ / ₂ "
4.	G10039	1	Hex Head Cap Screw, ¹ / ₂ "-13 x 1 ³ / ₄ "
	G10228	1	Lock Washer, ¹ / ₂ "
	G10102	1	Hex Nut, ¹ / ₂ "-13
5.	GA10277	1	Pin, 4"
6.	GA10275	1	Link Yoke
7.	G10640	1	Grease Fitting, ¹ / ₄ "-28
8.	GA10278	1	Pin, 6"
9.	G10039	1	Hex Head Cap Screw, ¹ / ₂ "-13 x 1 ³ / ₄ "
	G10228	1	Lock Washer, ¹ / ₂ "
	GD15235	1	Washer, 2 ¹ / ₄ " O.D. x ¹ / ₂ " I.D. x ¹ / ₄ "
10.	G10585	-	Hex Head Cap Screw, ¹ / ₂ "-13 x 3 ¹ / ₄ "
	G10111	-	Lock Nut, ¹ / ₂ "-13
11.	GD0740	-	Hose Clamp, ³ / ₄ " x 4" x 3 ¹ / ₂ "
12.	GD8188	-	Hose Clamp, ⁷ / ₈ " x 3" x 5 ³ / ₈ "
13.	GA11667	1	Hose Tube, 168", 24 Row 30" SDS
	GA11669	1	Hose Tube, 111", 36 Row 30" SDS
	GA11670	1	Hose Tube, 287 ³ / ₄ ", 36 Row 30" SDS
14.	GD16887	2-4	Support
15.	G10301	8	Carriage Bolt, ³ / ₈ "-16 x 1 ¹ / ₂ "
	G10210	8	Washer, ³ / ₈ " USS
	G10108	8	Lock Nut, ³ / ₈ "-16
16.	G2404-08-08	2	Adapter, ³ / ₄ "-16 Male JIC To ¹ / ₂ " NPT
17.	GD16993	1	Strainer
18.	G2404-20-16	1	Adapter, 1 ⁵ / ₈ "-12 Male JIC To 1" NPT
19.	GA11668	1	Hydraulic Tube Assembly, ³ / ₄ " x 140"
20.	G5406-16P	2	Plug, 1" NPT, Hex Head
21.	GD16884	4	Clamp
22.	G10599	8	Carriage Bolt, ³ / ₈ "-16 x 1 ¹ / ₄ "
	G10108	8	Lock Nut, ³ / ₈ "-16
23.	GA11666	2	Reservoir Tank
24.	G2404-12-24	2	Adapter, 1 ¹ / ₁₆ "-12 Male JIC To 1 ¹ / ₂ " NPT
25.	G10060	8	Hex Head Cap Screw, ⁵ / ₁₆ "-18 x 2 ¹ / ₂ "
	G10232	8	Lock Washer, ⁵ / ₁₆ "
	G10106	8	Hex Nut, ⁵ / ₁₆ "-18
26.	GA11761	4	Clamp
27.	GD16883	4	Spacer
28.	GD16890	-	Clamp
29.	G10599	-	Carriage Bolt, ³ / ₈ "-16 x 1 ¹ / ₄ "
	G10622	-	Serrated Flange Nut, ³ / ₈ "-16

LIFT/GAUGE WHEEL

(FWD64)



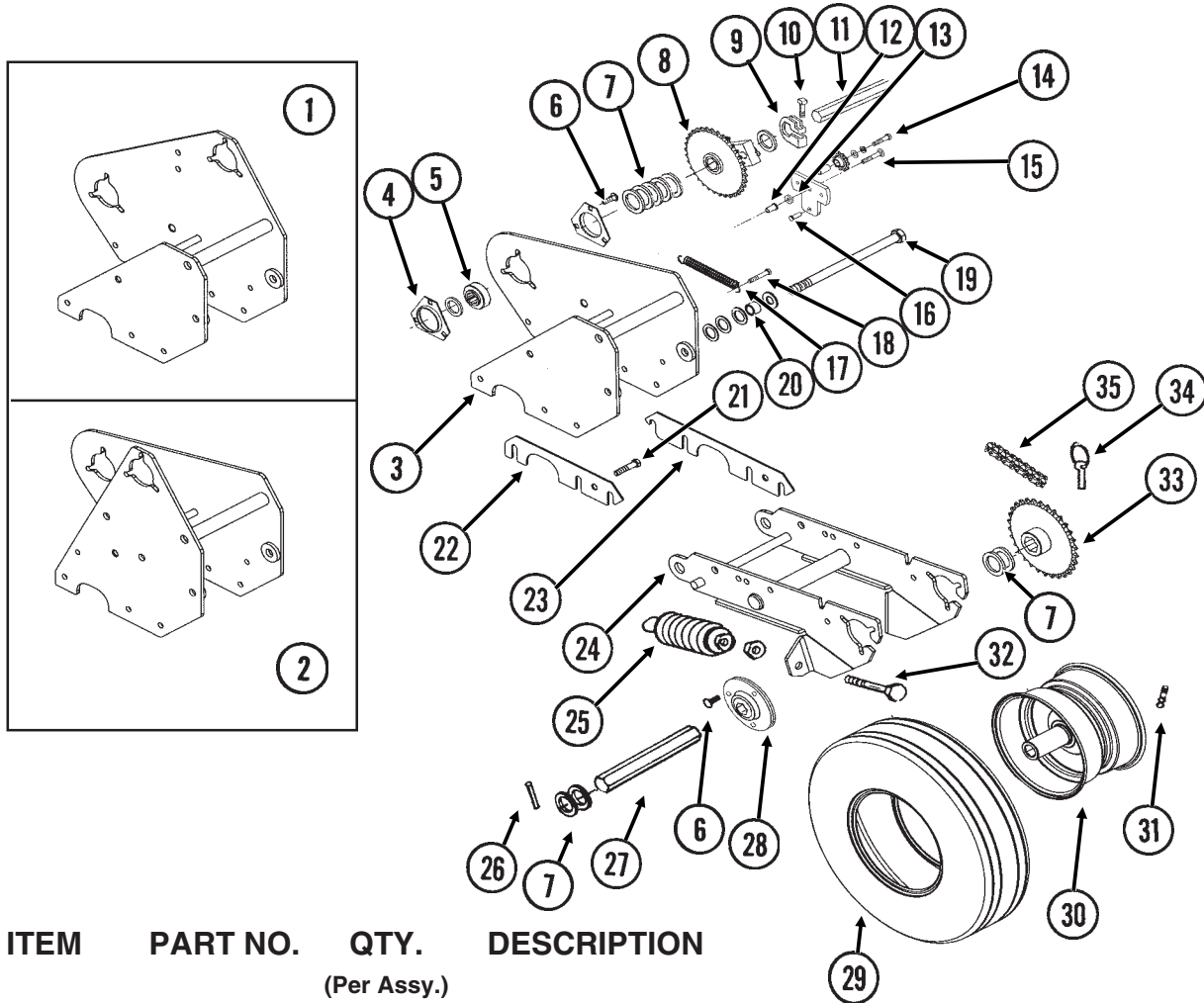
LIFT/GAUGE WHEEL

ITEM	PART NO.	QTY.	DESCRIPTION
		(Per Assy.)	
1.	G10009	2	Hex Head Cap Screw, 5/8"-11 x 2 1/2"
	G10230	2	Lock Washer, 5/8"
	G10104	2	Hex Nut, 5/8"-11
2.	GA5122	1	Wheel Tower Clamp
3.	G10008	4	Hex Head Cap Screw, 5/8"-11 x 2"
	GD7805	6	Special Washer, 5/8", Hardened
	G10230	4	Lock Washer, 5/8"
	G10104	4	Hex Nut, 5/8"-11
4.		-	See "Master/Slave/Lift Assist Cylinders", Pages P110-P113
5.	GD5841	1	Pin, 1 1/4" x 5 5/8"
	G10460	2	Cotter Pin, 1/4" x 2"
6.	GA7376	1	Scraper Mount
7.	GD12543	1	Scraper
8.	G11081	2	Hex Jam Nut, 1 1/2"-12, Grade 2
9.	GA0895	2	Bearing
10.	GA2148	1	Hub W/Cups, 6 Bolt
	GR0434	-	Cup
11.	GR0270	6	Lug Bolt, 9/16"-18
12.	GA2558	1	Spindle W/Round External Retaining Ring, 9 1/2"
	GD11490	-	Round External Retaining Ring
13.	GD13401	-	Tire, 7.50" x 20", 8 Ply, Tubeless W/O Center Rib (Specify Brand*)
14.	GA2142	1	Rim, 5.50" x 20"
15.	GA7434	1	Valve Stem
16.	G10025	2	Hex Head Cap Screw, 3/4"-10 x 1 1/2"
	G10231	2	Lock Washer, 3/4"
	G10105	2	Hex Nut, 3/4"-10
17.	G10026	2	Hex Head Cap Screw, 3/4"-10 x 2"
	G10231	2	Lock Washer, 3/4"
18.	G10636	4	Carriage Bolt, 1/2"-13 x 1 1/2"
	G10228	4	Lock Washer, 1/2"
	G10216	4	Washer, 1/2" USS
	G10102	4	Hex Nut, 1/2"-13
19.	G10139	2	Washer, 1 1/4" USS
20.	G10159	-	Machine Bushing, 1 1/4", 10 Gauge (As Required)
21.	G10581	2	Hex Head Cap Screw, 1/2"-13 x 2 1/4"
	G10111	2	Lock Nut, 1/2"-13
22.	GA5121	2	Pin, 2 1/8"
23.	GA11276	1	Arm
24.	GD11695	1	Pin, 1 1/4" x 13 1/4"
25.	G10610	2	Spring Pin, 3/8" x 2"
26.	GA9877	1	Clamp W/Grease Fittings
	G10640	2	Grease Fitting, 1/4"-28
A.	GA2147	-	Hub And Spindle Assembly (Items 8-10 And 12)
B.	GA7409	-	Scraper Assembly (Items 6, 7, 16 And 18)

* Specific brand requests will be supplied only as available from current KINZE® Repair Parts stock. If a specific brand requested is not in stock, the brand available will be supplied.

CONTACT WHEEL, ARM AND TOWER ASSEMBLIES

(FWD65)



ITEM	PART NO.	QTY.	DESCRIPTION
		(Per Assy.)	
1.	GA11281	1	Tower, Inner Module On 24 Row 30"/Inner And Center Module On 32 Row 30" And 36 Row 30"
2.	GA11280	1	Tower, Center Module On 24 Row 30"/Outer Module On 32 Row 30" And 36 Row 30"
3.	GA11279	1	Tower, Outer Module On 24 Row 30" Only
4.	G3400-01	-	Flangette
5.	G2100-03	-	Bearing, 7/8" Hex Bore, Spherical
6.	G10303	-	Carriage Bolt, 5/16"-18 x 1"
	G10232	-	Lock Washer, 5/16"
	G10106	-	Hex Nut, 5/16"-18
7.	G10233	-	Machine Bushing, 1", 10 Gauge
8.	GA10173	3	Ratchet/Sprocket Assembly, L.H.
	GD1256	2	Spring
	G10453	2	Cotter Pin, 3/16" x 1"
	GA0378	1	Block And Hub Assembly
	GD1255	2	L-Pin
	GA7572	1	Sprocket, 34 Tooth
	G10430	1	External Retaining Ring, 1 1/4"
9.	GD11045	-	Lock Clamp
10.	G10130	-	Square Head Machine Bolt, 5/16"-18 x 1 3/4"
	G10923	-	Flange Nut, 5/16"-18, No Serration
11.	GD2548-93	1	Hex Shaft, 7/8" x 93", L.H. Side (1 Hole)
	GD2548-104	-	Hex Shaft, 7/8" x 104", R.H. Side (1 Hole)
12.	GD15532	1	Bronze Bushing, 1"

CONTACT WHEEL, ARM AND TOWER ASSEMBLIES

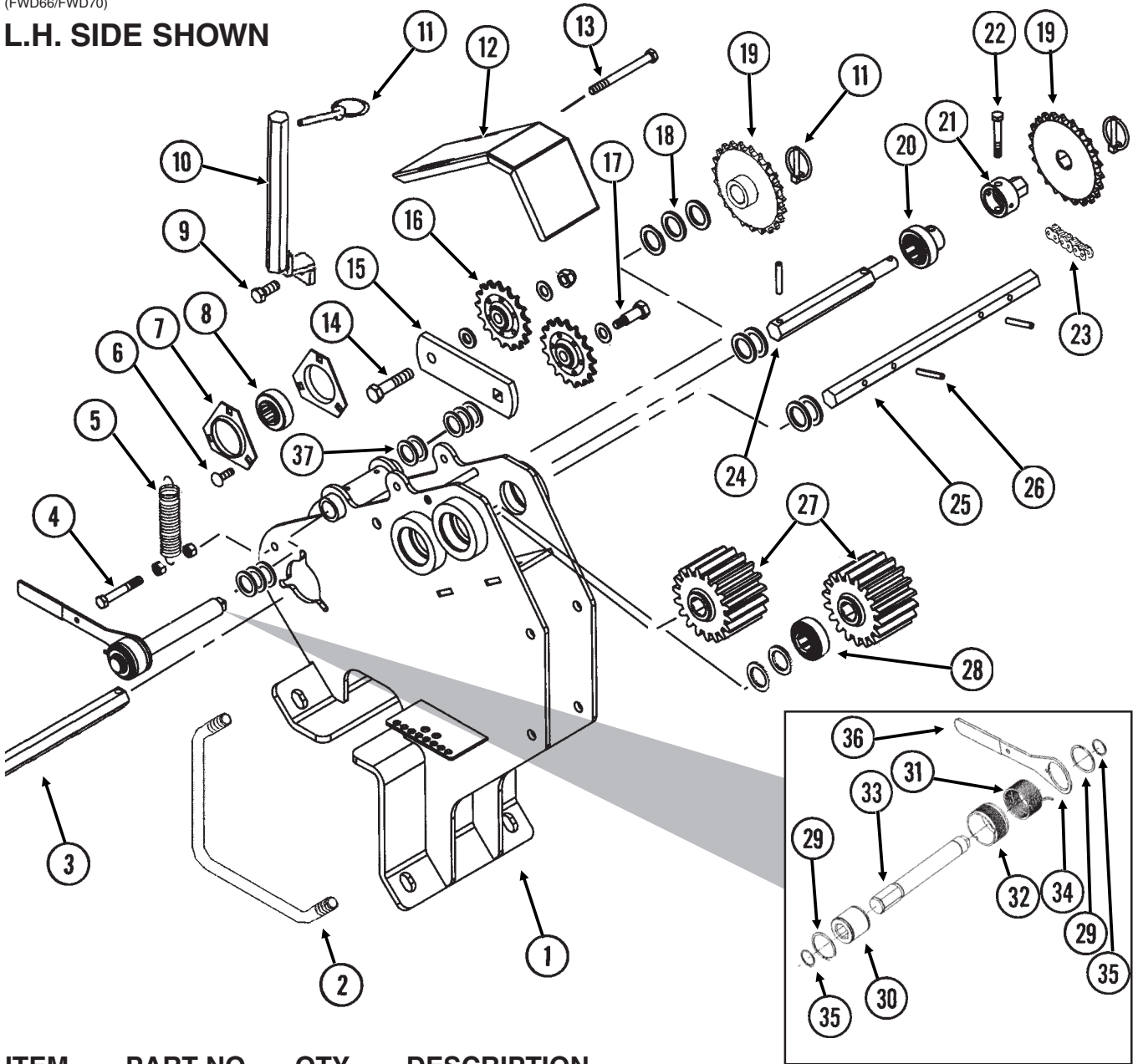
ITEM	PART NO.	QTY.	DESCRIPTION
		(Per Assy.)	
13.	GD15538	1	Spacer, $\frac{3}{8}$ " I.D. x $\frac{7}{8}$ " O.D., 7 Gauge
14.	GA11287	1	Idler W/Sprockets, Sleeves And Hardware
	GD7426	2	Sprocket, 12 Tooth
	GD1026	2	Sleeve, 1 $\frac{3}{16}$ " Long
	G10047	2	Hex Head Cap Screw, $\frac{3}{8}$ "-16 x 1 $\frac{3}{4}$ "
	G10210	2	Washer, $\frac{3}{8}$ " USS
	G10229	2	Lock Washer, $\frac{3}{8}$ "
15.	G11119	1	Carriage Bolt, $\frac{3}{8}$ "-16 x 2 $\frac{1}{4}$ "
	G10203	1	Washer, $\frac{3}{8}$ " SAE
	G10108	1	Lock Nut, $\frac{3}{8}$ "-16
16.	G11118	1	Clevis Pin, $\frac{3}{8}$ " x $\frac{3}{4}$ "
	G10860	1	Retaining Ring, $\frac{3}{8}$ "
17.	GD5857	1	Spring
18.	G10939	1	Hex Head Cap Screw, $\frac{3}{8}$ "-16 x 2 $\frac{1}{4}$ "
	G10210	1	Washer, $\frac{3}{8}$ " USS
	G10101	1	Hex Nut, $\frac{3}{8}$ "-16
	G10108	1	Lock Nut, $\frac{3}{8}$ "-16
19.	G10953	1	Hex Head Cap Screw, $\frac{5}{8}$ "-11 x 10"
	G10235	6	Machine Bushing, $\frac{7}{8}$ ", 14 Gauge
	GD7805	2	Special Washer, $\frac{5}{8}$ ", Hardened
	G10107	1	Lock Nut, $\frac{5}{8}$ "-11
20.	GB0218	2	Bushing, $\frac{21}{32}$ " I.D. x $\frac{7}{8}$ " O.D. x $\frac{19}{32}$ " Long
21.	G10004	7	Hex Head Cap Screw, $\frac{3}{8}$ "-16 x 1 $\frac{1}{4}$ "
	G10229	7	Lock Washer, $\frac{3}{8}$ "
	G10101	7	Hex Nut, $\frac{3}{8}$ "-16
22.	GD16438	1	Shim
23.	GD16437	1	Shim
24.	GA7372	1	Wheel Arm
25.	GA2068	2	Spring W/Plug
26.	G10602	2	Spring Pin, $\frac{1}{4}$ " x 1 $\frac{1}{2}$ "
27.	GD6775	1	Hex Shaft, $\frac{7}{8}$ " x 11 $\frac{3}{4}$ " (2 Holes)
28.	GA9846	-	Flanged Bearing, $\frac{7}{8}$ " Hex Bore
29.	GD4700	1	Tire, 4.80" x 8", 4 Ply, Rib Implement (Specify Brand*)
30.	GA3553	1	Rim, 3.75" x 8"
31.	GD4701	-	Valve Stem
32.	G10890	2	Hex Head Adjusting Bolt, $\frac{1}{2}$ "-13 x 4", Grade 2
	G10501	2	Hex Jam Nut, $\frac{1}{2}$ "-13, Grade 2
33.	GA5105	1	Sprocket, 15 Tooth
	GA5107	1	Sprocket, 19 Tooth
	GA11285	1	Sprocket, 38 Tooth
34.	GD2558	1	Lynch Pin, $\frac{1}{4}$ "
35.	G3310-160	1	Chain, No. 40, 160 Pitch Including Connector Link (Used With 15 And 19 Tooth Sprockets)
	G3310-168	1	Chain, No. 40, 168 Pitch Including Connector Link (Used With 38 Tooth Sprocket)
	GR0912	-	Connector Link, No. 40
A.	G1K324	-	Contact Wheel Arm Replacement Kit, (Items 6, 7, 24, 26-28, 32 And 34)
B.	GA3552	-	Tire And Rim Assembly (Items 29-31)

* Specific brand requests will be supplied only as available from current KINZE® Repair Parts stock. If a specific brand requested is not in stock, the brand available will be supplied. Different brand tires may have different diameters. Change in tire brand may affect rates. Field checks are recommended after any change in contact tires.

SEED RATE TRANSMISSION

(FWD66/FWD70)

L.H. SIDE SHOWN



ITEM	PART NO.	QTY.	DESCRIPTION
------	----------	------	-------------

(Per Assy.)

1.	GA11297	1	Transmission Plate W/Grease Fittings
	G10640	2	Grease Fitting, 1/4"-28
2.	GD8175	2	U-Bolt, 7" x 7" (Diamond) x 5/8"-11
	GD7805	4	Special Washer, 5/8", Hardened
	G10230	8	Lock Washer, 5/8"
	G10104	8	Hex Nut, 5/8"-11
3.		-	See "Contact Drive Wheel, Arm And Tower Assemblies", Pages P82 And P83
4.	G10049	1	Hex Head Cap Screw, 3/8"-16 x 2 1/2"
	G10101	2	Hex Nut, 3/8"-16
5.	GD5857	1	Spring
6.	G10303	3	Carriage Bolt, 5/16"-18 x 1"
	G10232	3	Lock Washer, 5/16"
	G10106	3	Hex Nut, 5/16"-18

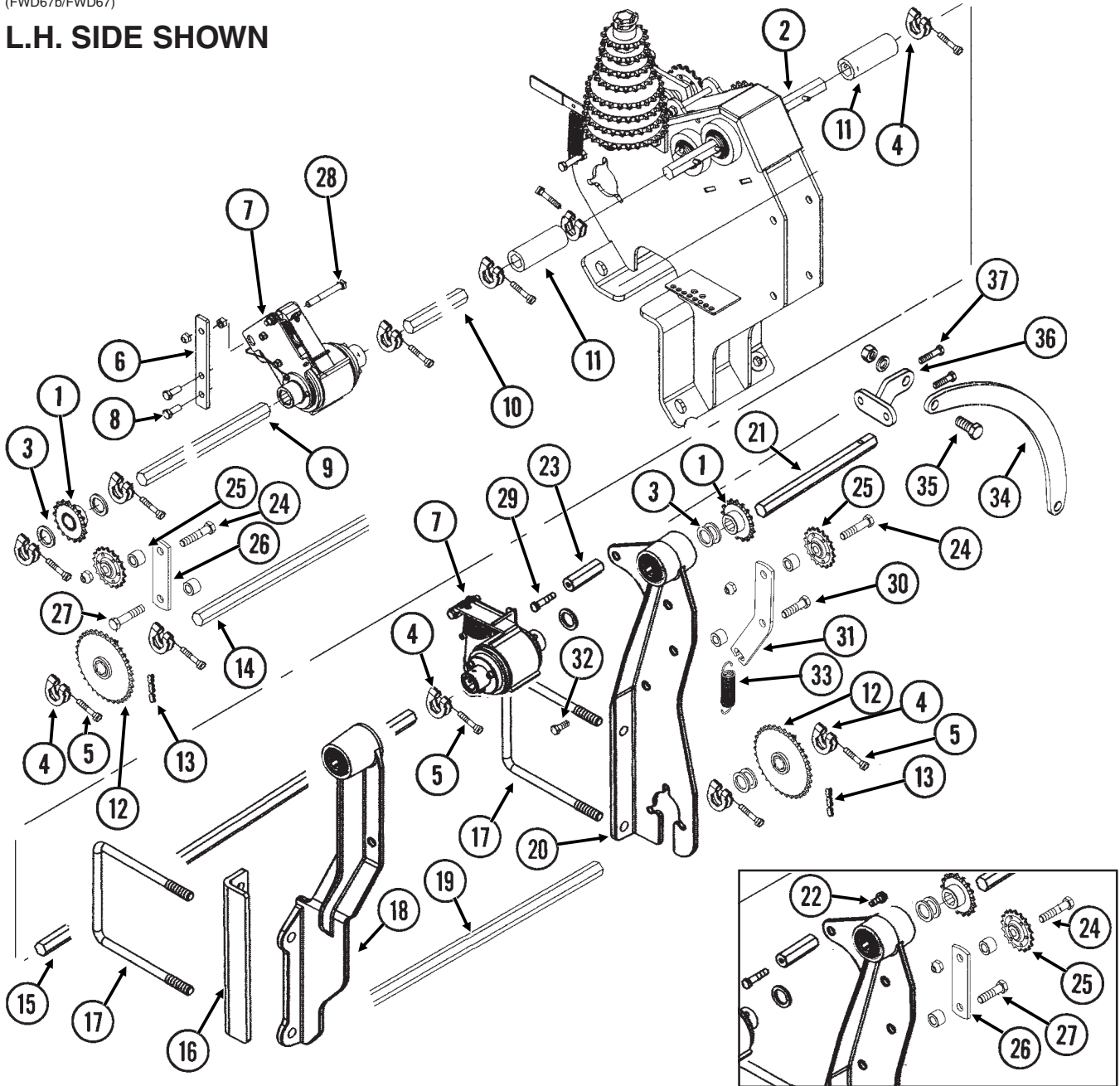
SEED RATE TRANSMISSION

ITEM	PART NO.	QTY. (Per Assy.)	DESCRIPTION
7.	G3400-01	2	Flangette
8.	G2100-03	1	Bearing, 7/8" Hex Bore, Spherical
9.	G10581	1	Hex Head Cap Screw, 1/2"-13 x 2 1/4"
	G10527	2	Lock Washer, 1/2", Internal/External
	GD10356	1	Bushing, 3/4" Long
	G10111	1	Lock Nut, 1/2"-13
10.	GA11245	1	Sprocket Storage Rod
11.	GD2558	3	Lynch Pin, 1/4"
12.	GD16449	1	Cover
13.	G10063	1	Hex Head Cap Screw, 3/8"-16 x 4"
	G10108	1	Lock Nut, 3/8"-16
14.	G10581	1	Hex Head Cap Screw, 1/2"-13 x 2 1/4"
	G10206	3	Washer, 1/2" SAE
	G10111	1	Lock Nut, 1/2"-13
15.	GD16446	1	Idler Plate
16.	GA11244	2	Idler Sprocket, 17 Tooth
17.	GD16440	1	Shoulder Bolt, 1/2" x 3/8"-16 x 1"
18.	G10233	-	Machine Bushing, 1", 10 Gauge (As Required)
19.	GA11235	1	Sprocket, 14 Tooth
	GA11236	1	Sprocket, 15 Tooth
	GA11237	1	Sprocket, 17 Tooth
	GA11238	1	Sprocket, 19 Tooth
	GA11239	2	Sprocket, 23 Tooth
	GA11240	1	Sprocket, 24 Tooth
	GA11241	1	Sprocket, 25 Tooth
	GA11242	1	Sprocket, 26 Tooth
	GA11243	1	Sprocket, 27 Tooth
20.	GA11394	1	Cylindrical Bearing
21.	GD7127	1	Shear Coupler
22.	G10069	1	Hex Head Cap Screw, 5/16"-18 x 2 1/4"
	G10109	1	Lock Nut, 5/16"-18, Grade 8
23.	G3316-80	1	Chain, No. 50, 80 Pitch Including Connector Link
	GR1743	-	Connector Link, No. 50
24.	GD16448	1	Shaft, 8 1/4"
25.	GD16447	1	Shaft, 14"
26.	G11103	1	Spring Pin, 1/4" x 1 3/4"
27.	GD16370	2	Gear, 18 Tooth
28.	GA5116	3	Bearing, 7/8" Hex Bore, Cylindrical
29.	G11075	2	External Inverted Snap Ring, 7/8"
30.	GD14432	1	Sleeve, 1 1/4"
31.	GD14414	1	Torsion Spring, R.H. (Used On L.H. Wrap Spring Wrench)
	GD14413	-	Torsion Spring, L.H. (Used On R.H. Wrap Spring Wrench) (Shown)
32.	GD14429	-	Release Collar, Silver, L.H.
	GD14430	1	Release Collar, Gold, R.H. (Shown)
33.	GD16439	1	Tightener Shaft, 7 5/16"
34.	GD14431	1	Handle
35.	G10496	2	External Inverted Snap Ring, 1 1/2"
36.	G11078	1	Vinyl Cap
37.	G10235	8	Machine Bushing, 7/8", 14 Gauge
A.	GA11311	-	Wrap Spring Wrench Assembly, Silver Collar, L.H. (Items 29-35)
	GA11312	1	Wrap Spring Wrench Assembly, Gold Collar, R.H. (Items 29-35) (Shown)

DRIVEN AND DRILL SHAFTS ON WINGS, 24 ROW 30"

(FWD67b/FWD67)

L.H. SIDE SHOWN



ITEM	PART NO.	QTY.	DESCRIPTION
1.	GA5106	4	Sprocket, 17 Tooth
2.		-	See "Seed Rate Transmission", Pages P84 And P85
3.	G10233	-	Machine Bushing, 1", 10 Gauge
4.	GD11045	-	Lock Clamp
5.	G10130	-	Square Head Machine Bolt, $\frac{5}{16}$ "-18 x 1 $\frac{3}{4}$ "
	G10923	-	Flange Nut, $\frac{5}{16}$ "-18, No Serration
6.	GD16417	2	Bracket
7.		-	See "Point Row Clutches", Pages P94 And P95
8.	G10001	4	Hex Head Cap Screw, $\frac{3}{8}$ "-16 x 1"
	G10108	4	Lock Nut, $\frac{3}{8}$ "-16
9.	GD0914-46	1	Hex Shaft, $\frac{7}{8}$ " x 46" (No Holes), L.H. Side
	GD0914-30	-	Hex Shaft, $\frac{7}{8}$ " x 30" (No Holes), R.H. Side
10.	GD0914-13.5	1	Hex Shaft, $\frac{7}{8}$ " x 13 $\frac{1}{2}$ " (No Holes), L.H. Side
	GD0914-21	-	Hex Shaft, $\frac{7}{8}$ " x 21" (No Holes), R.H. Side

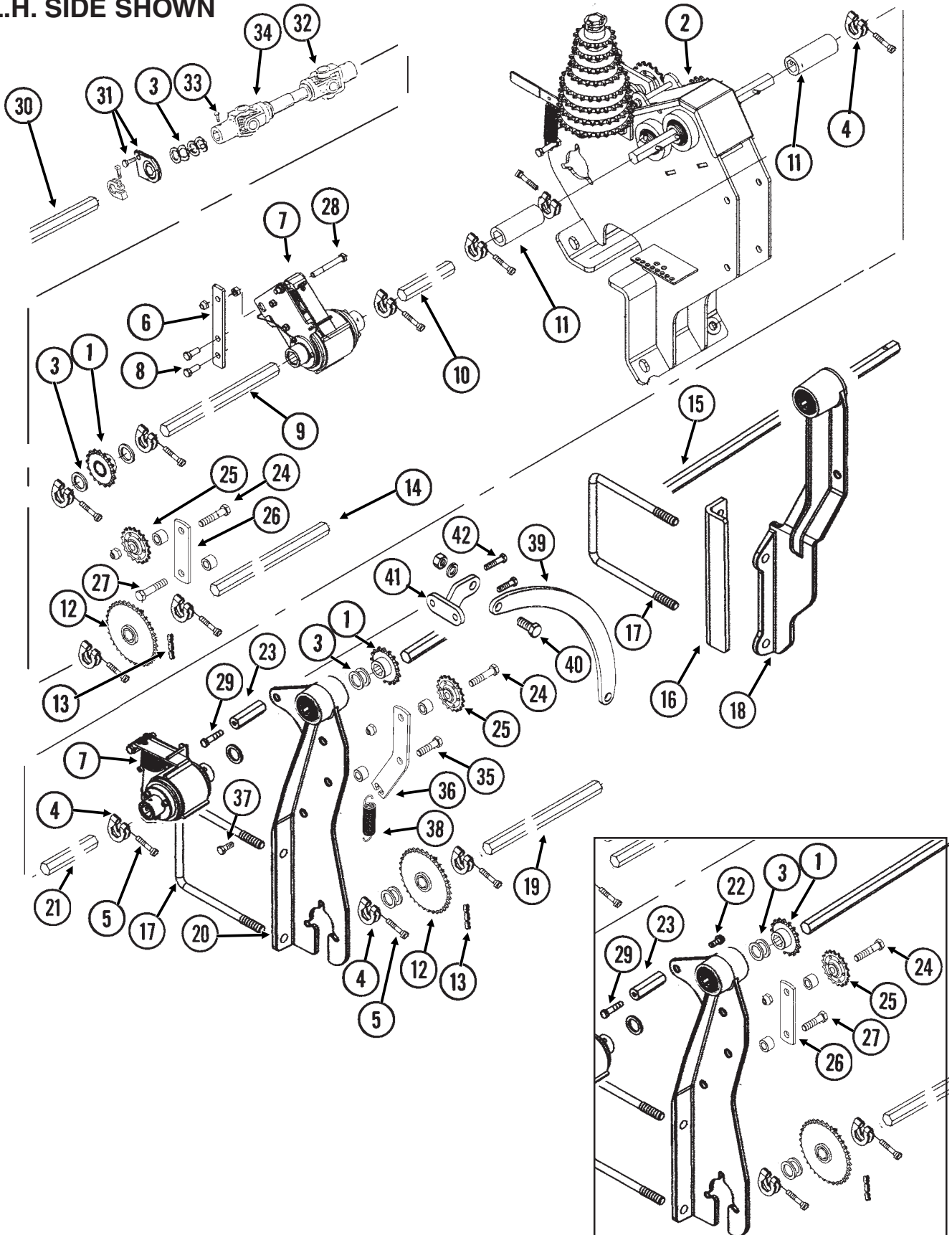
DRIVEN AND DRILL SHAFTS ON WINGS, 24 ROW 30"

ITEM	PART NO.	QTY.	DESCRIPTION
11.	GD10126	4	Coupler, 4"
12.	GA5202	4	Sprocket, 34 Tooth
13.	G3310-108	4	Chain, No. 40, 108 Pitch Including Connector Link
	GR0912	-	Connector Link, No. 40
14.	GD0914-156	2	Hex Shaft, 7/8" x 156" (No Holes)
15.	GD0914-108.5	2	Hex Shaft, 7/8" x 108 1/2" (No Holes)
16.	GD16467	1	Bracket, L.H. Side
	GD16466	-	Bracket, R.H. Side
17.	GD1114	8	U-Bolt, 7" x 7" x 5/8"-11
	G10230	8	Lock Washer, 5/8"
	G10104	8	Hex Nut, 5/8"-11
18.	GA11257	1	Support W/Bearings And Rings, L.H. Side
	GA11256	-	Support W/Bearings And Rings, R.H. Side
	GA5116	-	Bearing, 7/8" Hex Bore, Cylindrical
	GD6551	-	Ring
19.	GD0914-68	2	Hex Shaft, 7/8" x 68" (No Holes)
20.	GA11258	2	Chain Mount W/Bearings And Rings
	GA5116	-	Bearing, 7/8" Hex Bore, Cylindrical
	GD6551	-	Ring
21.	GD16405	2	Shaft, 7/8" x 11" (1 Hole)
22.	G10001	1	Hex Head Cap Screw, 3/8"-16 x 1"
	G10229	1	Lock Washer, 3/8"
23.	GD15114	1	Hex Shaft Spacer
24.	G10053	2	Hex Head Cap Screw, 1/2"-13 x 2 1/2"
	GD10356	2	Bushing, 3/4" Long
	G10111	2	Lock Nut, 1/2"-13
25.	GA7154	2	Sprocket W/Bearing, 18 Tooth
26.	GD16362	2	Plate
27.	G10016	2	Hex Head Cap Screw, 1/2"-13 x 2"
	GD10356	4	Bushing, 3/4" Long
	G10527	4	Lock Washer, 1/2", Internal/External
	G10111	2	Lock Nut, 1/2"-13
28.	G10062	2	Hex Head Cap Screw, 3/8"-16 x 3"
	G10108	2	Lock Nut, 3/8"-16
	G10101	2	Hex Nut, 3/8"-16
29.	G10047	1	Hex Head Cap Screw, 3/8"-16 x 1 3/4"
	G10101	1	Hex Nut, 3/8"-16
30.	G10016	2	Hex Head Cap Screw, 1/2"-13 x 2"
	GD10356	4	Bushing, 3/4" Long
	G10206	4	Washer, 1/2" SAE
	G10111	2	Lock Nut, 1/2"-13
31.	GD17051	2	Idler
32.	G10560	2	Clevis Pin, 1/2" x 1 3/4"
	G10456	2	Cotter Pin, 1/8" x 3/4"
33.	GD5857	2	Spring
34.	GD17095	1	Bar, 21", L.H.
	GD17094	-	Bar, 19 3/4", R.H.
35.	G10007	2	Hex Head Cap Screw, 5/8"-11 x 1 1/2"
	G10230	2	Lock Washer, 5/8"
	G10104	2	Hex Nut, 5/8"-11
36.	GA11964	2	Mount
37.	G10003	2	Hex Head Cap Screw, 3/8"-16 x 1 1/2"
	G10229	2	Lock Washer, 3/8"
	G10101	2	Hex Nut, 3/8"-16

DRIVEN AND DRILL SHAFTS ON WINGS, 32 ROW 30" AND 36 ROW 30"

(FWD67aaFWD67a)

L.H. SIDE SHOWN



DRIVEN AND DRILL SHAFTS ON WINGS, 32 ROW 30" AND 36 ROW 30"

ITEM	PART NO.	QTY.	DESCRIPTION
1.	GA5106	4	Sprocket, 17 Tooth
2.		-	See "Seed Rate Transmission", Pages P84 And P85
3.	G10233	-	Machine Bushing, 1", 10 Gauge
4.	GD11045	-	Lock Clamp
5.	G10130	-	Square Head Machine Bolt, $\frac{5}{16}$ "-18 x 1 $\frac{3}{4}$ "
	G10923	-	Flange Nut, $\frac{5}{16}$ "-18, No Serration
6.	GD16417	2	Bracket
7.		-	See "Point Row Clutches", Pages P94 And P95
8.	G10001	4	Hex Head Cap Screw, $\frac{3}{8}$ "-16 x 1"
	G10108	4	Lock Nut, $\frac{3}{8}$ "-16
9.	GD0914-76	1	Hex Shaft, $\frac{7}{8}$ " x 76" (No Holes), L.H. Side
	GD0914-60	-	Hex Shaft, $\frac{7}{8}$ " x 60" (No Holes), R.H. Side
10.	GD0914-13.5	1	Hex Shaft, $\frac{7}{8}$ " x 13 $\frac{1}{2}$ " (No Holes), L.H. Side
	GD0914-21	-	Hex Shaft, $\frac{7}{8}$ " x 21" (No Holes), R.H. Side
11.	GD10126	4	Coupler, 4"
12.	GA5202	4	Sprocket, 34 Tooth
13.	G3310-108	4	Chain, No. 40, 108 Pitch Including Connector Link
	GR0912	-	Connector Link, No. 40
14.	GD0914-36	1	Hex Shaft, $\frac{7}{8}$ " x 36" (No Holes), L.H. Side, 32 Row 30"
	GD0914-48	-	Hex Shaft, $\frac{7}{8}$ " x 48" (No Holes), R.H. Side, 32 Row 30"
	GD0914-20	-	Hex Shaft, $\frac{7}{8}$ " x 20" (No Holes), L.H. Side, 36 Row 30"
	GD0914-36	-	Hex Shaft, $\frac{7}{8}$ " x 36" (No Holes), R.H. Side, 36 Row 30"
15.	GD16451	1	Shaft, $\frac{7}{8}$ " x 56" (1 Hole), L.H. Side
	GD16450	1	Shaft, $\frac{7}{8}$ " x 44" (1 Hole), R.H. Side
16.	GD16467	1	Bracket, L.H. Side
	GD16466	-	Bracket, R.H. Side
17.	GD1114	8	U-Bolt, 7" x 7" x $\frac{5}{8}$ "-11
	G10230	8	Lock Washer, $\frac{5}{8}$ "
	G10104	8	Hex Nut, $\frac{5}{8}$ "-11
18.	GA11257	1	Support W/Bearings And Rings, L.H. Side
	GA11256	-	Support W/Bearings And Rings, R.H. Side
	GA5116	-	Bearing, $\frac{7}{8}$ " Hex Bore, Cylindrical
	GD6551	-	Ring
19.	GD0914-132	2	Hex Shaft, $\frac{7}{8}$ " x 132" (No Holes), 32 Row 30"
	GD0914-156	-	Hex Shaft, $\frac{7}{8}$ " x 156" (No Holes), 36 Row 30"
20.	GA11258	2	Chain Mount W/Bearings And Rings
	GA5116	-	Bearing, $\frac{7}{8}$ " Hex Bore, Cylindrical
	GD6551	-	Ring
21.	GD0914-10.5	1	Hex Shaft, $\frac{7}{8}$ " x 10 $\frac{1}{2}$ " (No Holes), L.H. Side
	GD0914-21	-	Hex Shaft, $\frac{7}{8}$ " x 21" (No Holes), R.H. Side
22.	G10001	1	Hex Head Cap Screw, $\frac{3}{8}$ "-16 x 1"
	G10229	1	Lock Washer, $\frac{3}{8}$ "
23.	GD15114	1	Hex Shaft Spacer
24.	G10053	2	Hex Head Cap Screw, $\frac{1}{2}$ "-13 x 2 $\frac{1}{2}$ "
	GD10356	2	Bushing, $\frac{3}{4}$ " Long
	G10111	2	Lock Nut, $\frac{1}{2}$ "-13

(Continued On Following Page)

DRIVEN AND DRILL SHAFTS ON WINGS, 32 ROW 30" AND 36 ROW 30"

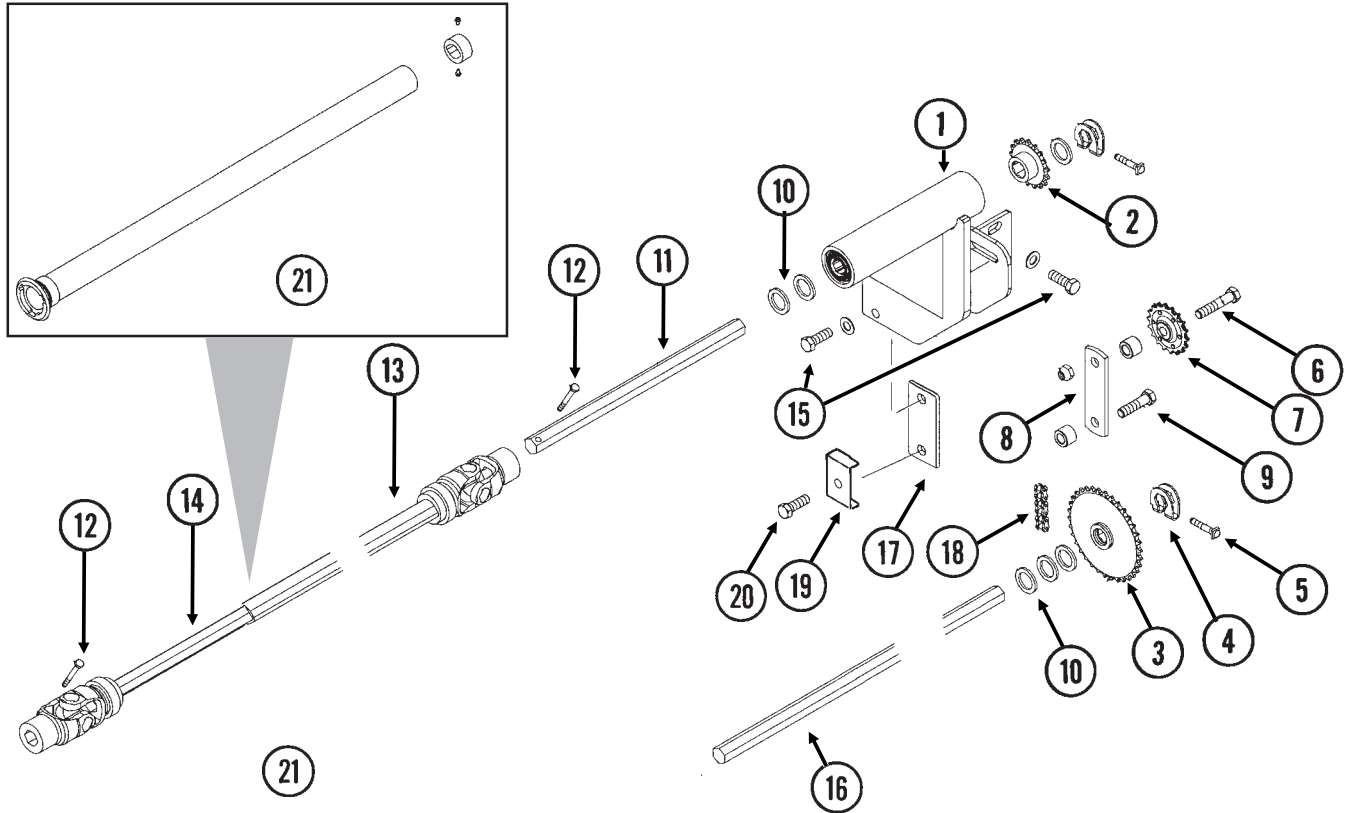
ITEM	PART NO.	QTY.	DESCRIPTION
25.	GA7154	2	Sprocket W/Bearing, 18 Tooth
26.	GD16362	2	Plate
27.	G10016	2	Hex Head Cap Screw, 1/2"-13 x 2"
	GD10356	4	Bushing, 3/4" Long
	G10527	4	Lock Washer, 1/2", Internal/External
	G10111	2	Lock Nut, 1/2"-13
28.	G10062	2	Hex Head Cap Screw, 3/8"-16 x 3"
	G10108	2	Lock Nut, 3/8"-16
	G10101	2	Hex Nut, 3/8"-16
29.	G10047	1	Hex Head Cap Screw, 3/8"-16 x 1 3/4"
	G10101	1	Hex Nut, 3/8"-16
30.	GD0914-166	1	Hex Shaft, 7/8" x 166" (No Holes), L.H. Side, 32 Row 30"
	GD0914-156	-	Hex Shaft, 7/8" x 156" (No Holes), R.H. Side, 32 Row 30"
	GD0914-228	-	Hex Shaft, 7/8" x 228" (No Holes), L.H. Side, 36 Row 30"
	GD0914-218	-	Hex Shaft, 7/8" x 218" (No Holes), R.H. Side, 36 Row 30"
31.		-	See "Parallel Arms, Mounting Support Plate And Quick Adjustable Down Force Springs", Page P4
32.	GA7051	2	U-Joint W/Grease Fitting, Male, 12 1/4" Long
	GR1557	-	Grease Fitting, 45°, Metric
	GR1296	-	Inner Profile
	GR1295	-	Inboard Yoke
	GR1301	-	Spring Pin, 8 mm x 50 mm
	GR1294	-	Cross And Bearing Kit
	GR1293	-	Yoke, 7/8" Hex
33.	G10688	4	Square Head Set Screw, 3/8"-16 x 5/8"
34.	GA7052	2	U-Joint W/Grease Fitting, Female, 10 1/4" Long
	GR1557	-	Grease Fitting, 45°, Metric
	GR1298	-	Inboard Yoke And Outer Profile (18 1/4" U-Joint)
	GR1297	-	Inboard Yoke And Outer Profile (10 1/4" U-Joint)
	GR1294	-	Cross And Bearing Kit
	GR1293	-	Yoke, 7/8" Hex
35.	G10016	2	Hex Head Cap Screw, 1/2"-13 x 2"
	GD10356	4	Bushing, 3/4" Long
	G10206	4	Washer, 1/2" SAE
	G10111	2	Lock Nut, 1/2"-13
36.	GD17051	2	Idler
37.	G10560	2	Clevis Pin, 1/2" x 1 3/4"
38.	GD5857	2	Spring
39.	GD17095	-	Bar, 21", L.H.
	GD17094	1	Bar, 19 3/4", R.H.
40.	G10007	2	Hex Head Cap Screw, 5/8"-11 x 1 1/2"
	G10230	2	Lock Washer, 5/8"
	G10104	2	Hex Nut, 5/8"-11
41.	GA11964	2	Mount
42.	G10003	2	Hex Head Cap Screw, 3/8"-16 x 1 1/2"
	G10229	2	Lock Washer, 3/8"
	G10101	2	Hex Nut, 3/8"-16

This page intentionally left blank.

DRIVEN AND DRILL SHAFTS ON CENTER SECTION

(A12114/FWD73c)

L.H. SIDE SHOWN



ITEM	PART NO.	QTY. (Per Side)	DESCRIPTION
1.	GA11187	1	Mount W/Bearings And Rings, L.H. Side (Shown)
	GA11186	-	Mount W/Bearings And Rings, R.H. Side
	GA5116	-	Bearing, 7/8" Hex Bore, Cylindrical
	GD6551	-	Ring

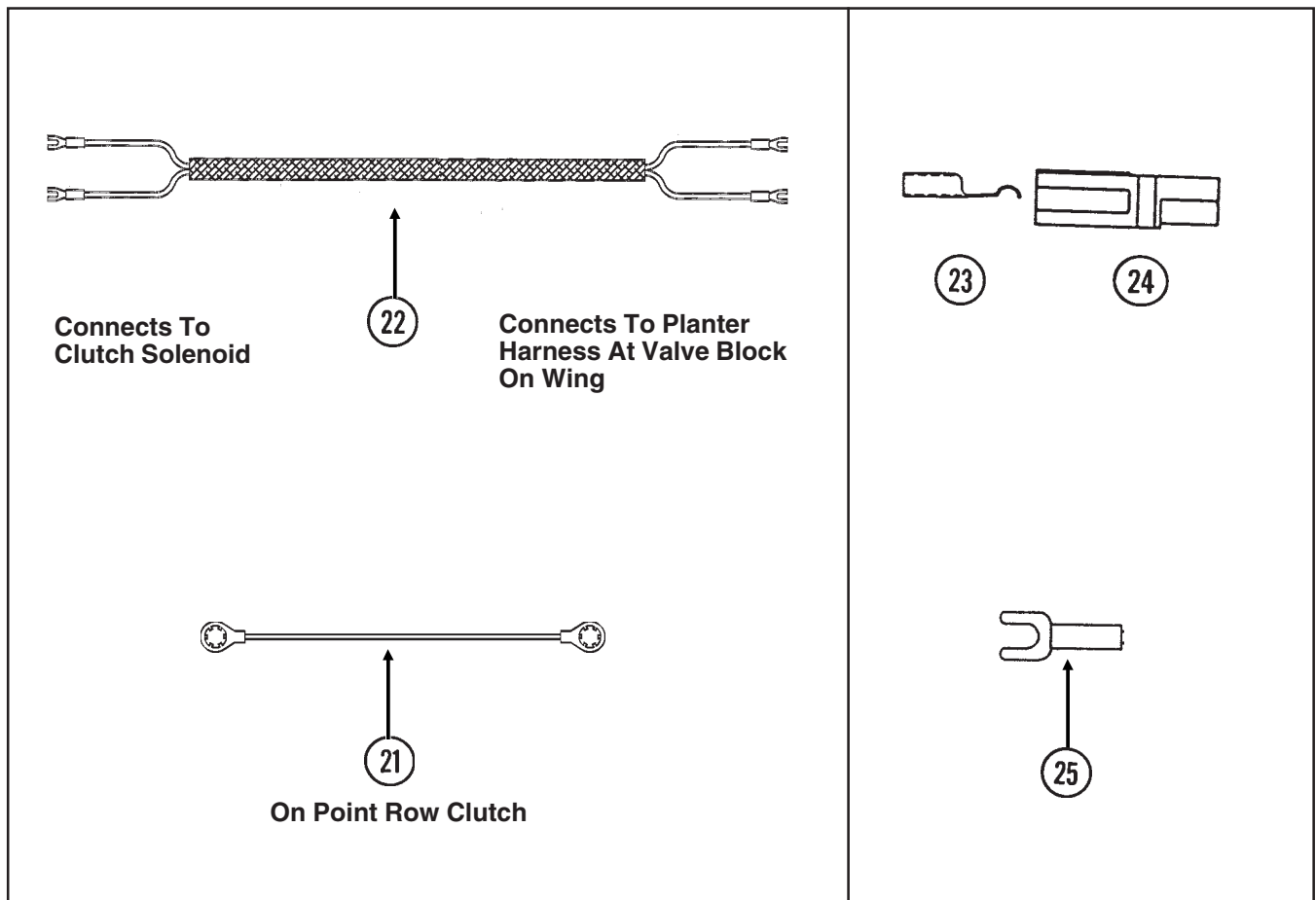
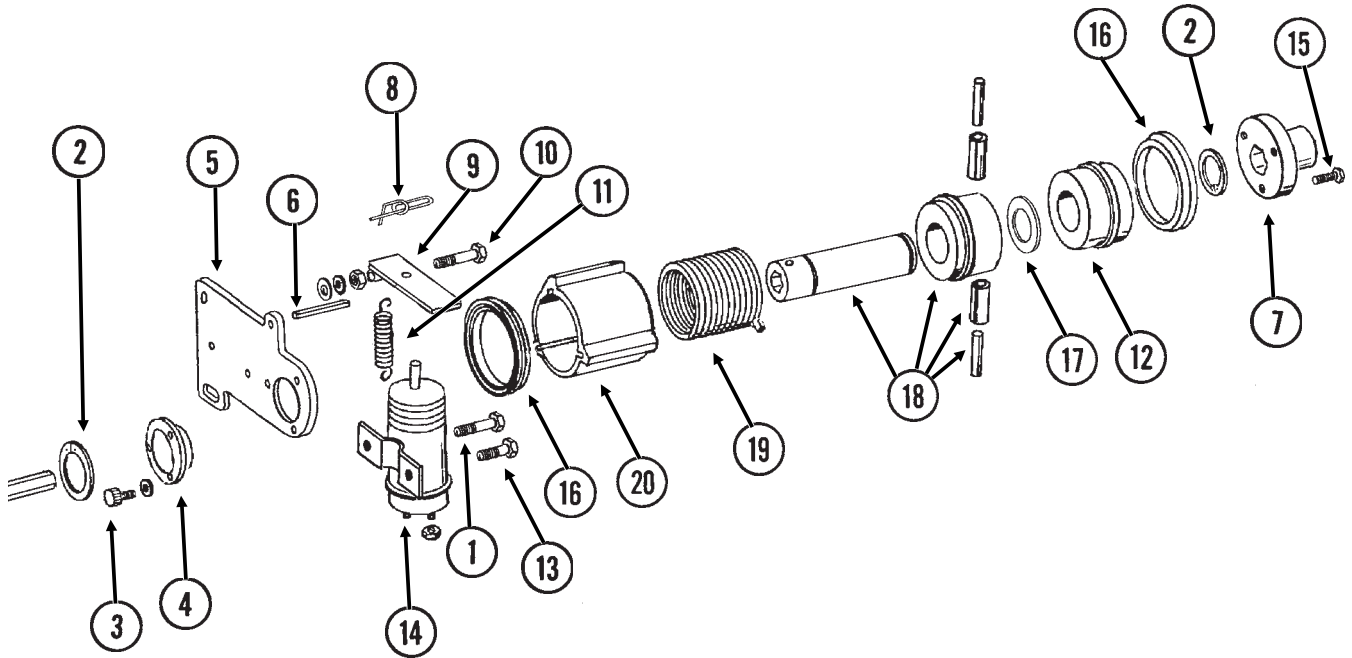
DRIVEN AND DRILL SHAFTS ON CENTER SECTION

ITEM	PART NO.	QTY. (Per Side)	DESCRIPTION
2.	GA5106	2	Sprocket, 17 Tooth
3.	GA5202	4	Sprocket, 34 Tooth
4.	GD11045	-	Lock Clamp
5.	G10130	-	Square Head Machine Bolt, $\frac{5}{16}$ "-18 x 1 $\frac{3}{4}$ "
	G10923	-	Flange Nut, $\frac{5}{16}$ "-18, No Serration
6.	G10053	2	Hex Head Cap Screw, $\frac{1}{2}$ "-13 x 2 $\frac{1}{2}$ "
	GD10356	2	Bushing, $\frac{3}{4}$ " Long
	G10111	2	Lock Nut, $\frac{1}{2}$ "-13
7.	GA7154	2	Sprocket W/Bearing, 18 Tooth
8.	GD16362	2	Plate
9.	G10016	2	Hex Head Cap Screw, $\frac{1}{2}$ "-13 x 2"
	GD10356	4	Bushing, $\frac{3}{4}$ " Long
	G10527	4	Lock Washer, $\frac{1}{2}$ ", Internal/External
	G10111	2	Lock Nut, $\frac{1}{2}$ "-13
10.	G10233	-	Machine Bushing, 1", 10 Gauge
11.	GD2548-16	2	Hex Shaft, $\frac{7}{8}$ " x 16" (1 Hole)
12.	G10880	4	Hex Head Cap Screw, $\frac{1}{4}$ "-20 x 2 $\frac{1}{4}$ "
	G10110	4	Lock Nut, $\frac{1}{4}$ "-20, Grade B
13.	GA11169	2	U-Joint W/Grease Fitting, Female, 61 $\frac{15}{32}$ "
	GR1294	-	Cross And Bearing Kit
	GR1352	-	Inboard Yoke
	GR1300	-	Grease Fitting, 67.5°, Metric
	GR1301	-	Spring Pin, 8 mm x 50 mm
	GR1365	-	Yoke, $\frac{7}{8}$ " Hex
	GR1741	-	Outer Profile
14.	GA8001	2	U-Joint W/Grease Fitting, Male, 40 $\frac{13}{32}$ "
	GR1294	-	Cross And Bearing Kit
	GR1295	-	Inboard Yoke
	GR1300	-	Grease Fitting, 67.5°, Metric
	GR1301	-	Spring Pin, 8 mm x 50 mm
	GR1365	-	Yoke, $\frac{7}{8}$ " Hex
	GR1377	-	Inner Profile
15.	G10017	8	Hex Head Cap Screw, $\frac{1}{2}$ "-13 x 1 $\frac{1}{2}$ "
	G10206	8	Washer, $\frac{1}{2}$ " SAE
	G10228	8	Lock Washer, $\frac{1}{2}$ "
	G10102	8	Hex Nut, $\frac{1}{2}$ "-13
16.	GD0914-78	1	Hex Shaft, $\frac{7}{8}$ " x 78" (No Holes), L.H. Side
	GD0914-68	-	Hex Shaft, $\frac{7}{8}$ " x 68" (No Holes), R.H. Side
17.	GD16355-01	-	Shim, 2" x 4" x 16 Gauge
	GD16355-02	-	Shim, 2" x 4" x 10 Gauge
	GD16355-03	-	Shim, 2" x 4" x $\frac{1}{4}$ "
18.	G3310-108	1	Chain, No. 40, 108 Pitch Including Connector Link
	GR0912	-	Connector Link, No. 40
19.	GD0740	1	Hose Clamp, $\frac{3}{4}$ " x 4" x 3 $\frac{1}{2}$ "
20.	G10585	1	Hex Head Cap Screw, $\frac{1}{2}$ "-13 x 3 $\frac{1}{4}$ "
	G10206	1	Washer, $\frac{1}{2}$ " SAE
	G10228	1	Lock Washer, $\frac{1}{2}$ "
	G10102	1	Hex Nut, $\frac{1}{2}$ "-13
21.	GA12114	1	Cover W/Plug And Screws
	GD17100	-	Plug
	G11073	-	Slotted Hex Self-Tapping Screw, No. 10 x $\frac{3}{8}$ "

POINT ROW CLUTCHES

(FWD71/TWL71d/TWL71/TWL18/A10054)

L.H. POINT ROW CLUTCH SHOWN

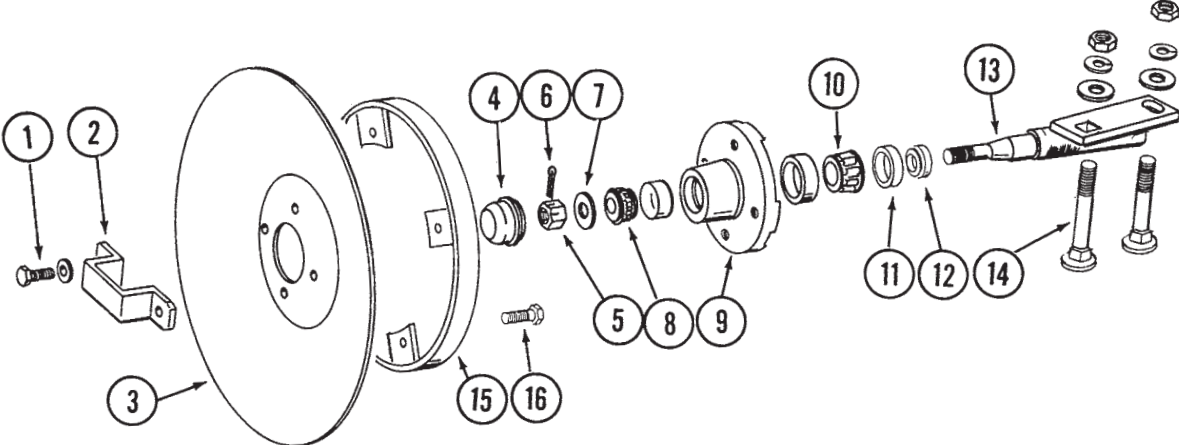


POINT ROW CLUTCHES

ITEM	PART NO.	QTY. (Per Assy.)	DESCRIPTION
1.	G10900	1	Hex Socket Head Cap Screw, 1/4"-20 x 1 3/4", Grade 8
	G10227	1	Lock Washer, 1/4"
	G10103	2	Hex Nut, 1/4"-20
2.	G10496	2	External Inverted Snap Ring, 1 1/2"
3.	G10253	3	Hex Socket Head Screw, No. 10-32 x 1/2"
	G10257	3	Lock Washer, No. 10
4.	GD9667	1	Bushing
5.	GD10103	1	Mounting Plate
6.	G10859	1	Spring Pin, 3/16" x 2 1/4"
7.	GA9068	1	Hex Coupler
8.	GD11120	1	Rue Ring Cotter, 5/16"
9.	GD10510	1	Actuator Arm
10.	G10049	1	Hex Head Cap Screw, 3/8"-16 x 2 1/2"
	G10101	1	Hex Nut, 3/8"-16
	G10203	1	Washer, 3/8" SAE
	G10229	2	Lock Washer, 3/8"
	G10497	1	Hex Jam Nut, 3/8"-16, Grade 2
11.	GD10123	1	Spring
12.	GD10104	1	Input Hub
13.	G10023	1	Hex Head Cap Screw, 1/4"-20 x 3/4"
	G10227	1	Lock Washer, 1/4"
	G10103	1	Hex Nut, 1/4"-20
14.	GA8393	1	Solenoid Complete
	GR1306	1	Snap Ring
	GR1303	1	Spring
	GR1304	1	Boot
	GR1305	1	Plunger
15.	G10374	3	Hex Socket Head Cap Screw, 1/4"-20 x 1"
	G10227	3	Lock Washer, 1/4"
16.	GD14512	2	V-Ring Seal
17.	GD14513	1	Felt Washer
18.	GA7137	1	Hub/Sleeve Assembly W/Spring Pins
	G10804	-	Spring Pin, 5/32" x 7/8"
	G10765	-	Spring Pin, 1/4" x 1"
19.	GD9672	1	Spring, R.H. (Used In GA11268)
	GD9671	-	Spring, L.H. (Used In GA11267)
20.	GD10102	1	Stop Collar
21.	GA10054	-	Ground Cable, Green
22.	GA11361	1	Wiring Harness, 96" (Brown-Black/Red Ends), 24 Row 30" (Left End PRC)
	GA11362	1	Wiring Harness, 96" (Yellow-Black/Red Ends), 24 Row 30", 32 Row 30" And 36 Row 30" (Left Inside PRC)
	GA11363	1	Wiring Harness, 96" (Orange-Black/Red Ends), 24 Row 30", 32 Row 30" And 36 Row 30" (Right Inside PRC)
	GA11364	1	Wiring Harness, 96" (Red/Black-Black/Red Ends), 24 Row 30" (Right End PRC)
	GA11619	1	Wiring Harness, 42" (Brown-Black/Red Ends), 32 Row 30" And 36 Row 30" (Left End PRC)
	GA11620	1	Wiring Harness, 36" (Red/Black-Black/Red Ends), 32 Row 30" And 36 Row 30" (Right End PRC)
23.	GD9530	-	Contact
24.	GD9529	-	Housing, Black
	GD12726	-	Housing, Red
25.	G10996	-	Fork Terminal
A.	GA11267	-	Point Row Clutch Assembly, (Used On Outer L.H. Wing And Inner R.H. Wing) (Items 1-21)
	GA11268	-	Point Row Clutch Assembly, (Used On Outer R.H. Wing And Inner L.H. Wing) (Items 1-21)

ROW MARKER SPINDLE/HUB/BLADE

MKR020(MKR4)

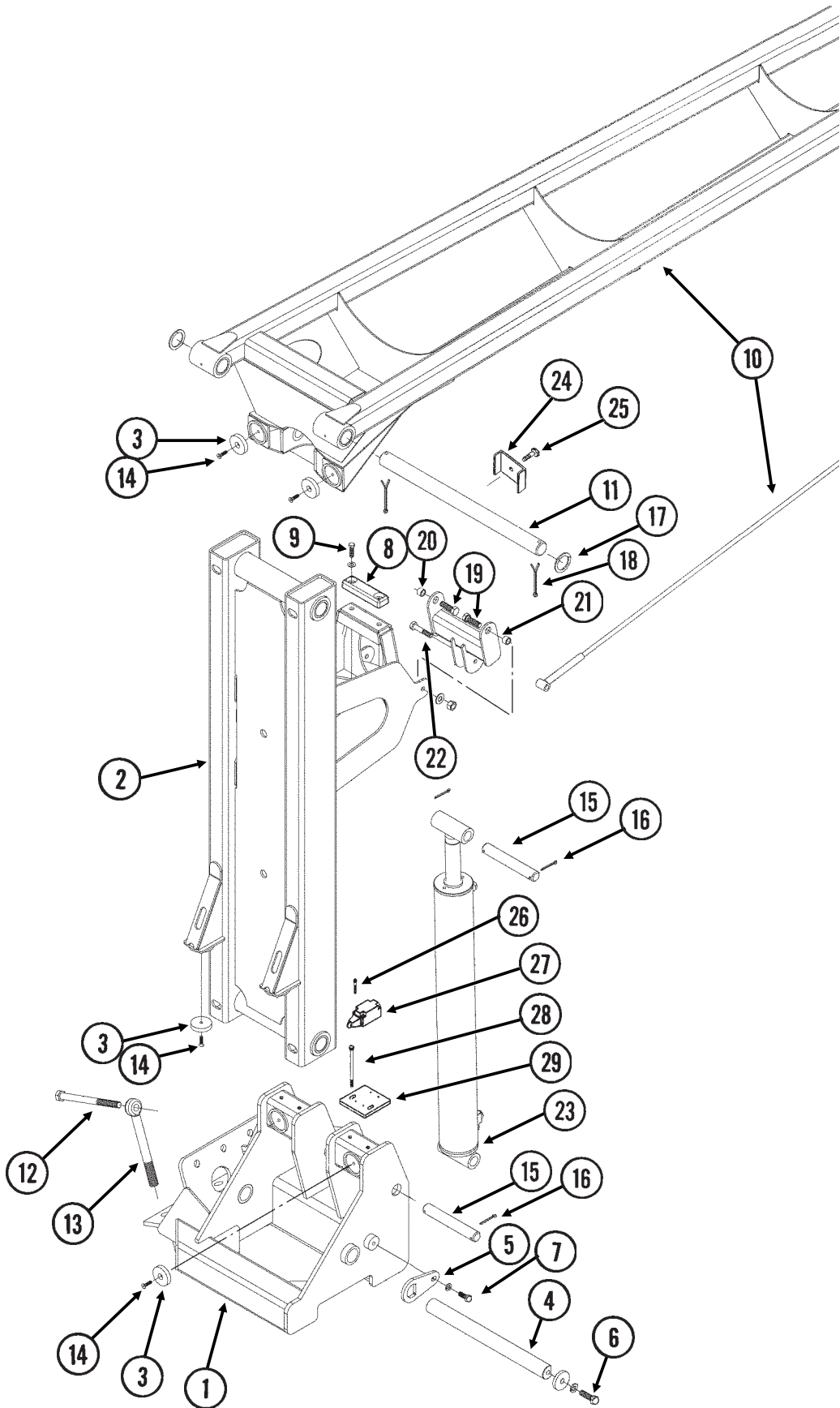


ROW MARKER SPINDLE/HUB/BLADE

ITEM	PART NO.	QTY. (Per Assy.)	DESCRIPTION
1.	G10722	4	Hex Head Cap Screw, 1/2"-20 x 1"
	G10228	4	Lock Washer, 1/2"
2.	GD2597	1	Retainer
3.	GD0746	1	Disc Blade, Solid, 16" (Shown)
	GD10283	-	Disc Blade, Notched, 16" (Optional)
4.	GD0840	1	Dust Cap
5.	G10725	1	Slotted Hex Nut, 5/8"-18
6.	G10544	1	Cotter Pin, 5/32" x 1"
7.	G10724	1	Washer, 5/8" SAE
8.	GA0257	1	Bearing
9.	GA0167	1	Hub W/Cups, 4 Bolt
	GR0151	-	Outer Cup
	GR0150	-	Inner Cup
10.	GA0245	1	Bearing
11.	GA0243	1	Grease Seal
12.	GA0899	1	Rubber Seal
13.	GA1676	1	Spindle, R.H.
	GA1677	-	Spindle, L.H. (Shown)
14.	G10844	2	Carriage Bolt, 1/2"-13 x 3 1/2"
	G10168	2	Machine Bushing, 1/2", 7 Gauge
	G10228	2	Lock Washer, 1/2"
	G10102	2	Hex Nut, 1/2"-13
15.	GA5853	1	Depth Band
16.	G10019	4	Hex Head Cap Screw, 5/16"-18 x 1"
	G10109	4	Lock Nut, 5/16"-18, Grade 8
A.	GA1679	-	Hub And Spindle Assembly, L.H. (Items 1, 2 And 4-13)
	GA1678	-	Hub And Spindle Assembly, R.H. (Items 1, 2 And 4-13)

ROW MARKER ASSEMBLY (Mount And First Stage), 24 ROW 30"

(FWD17d)

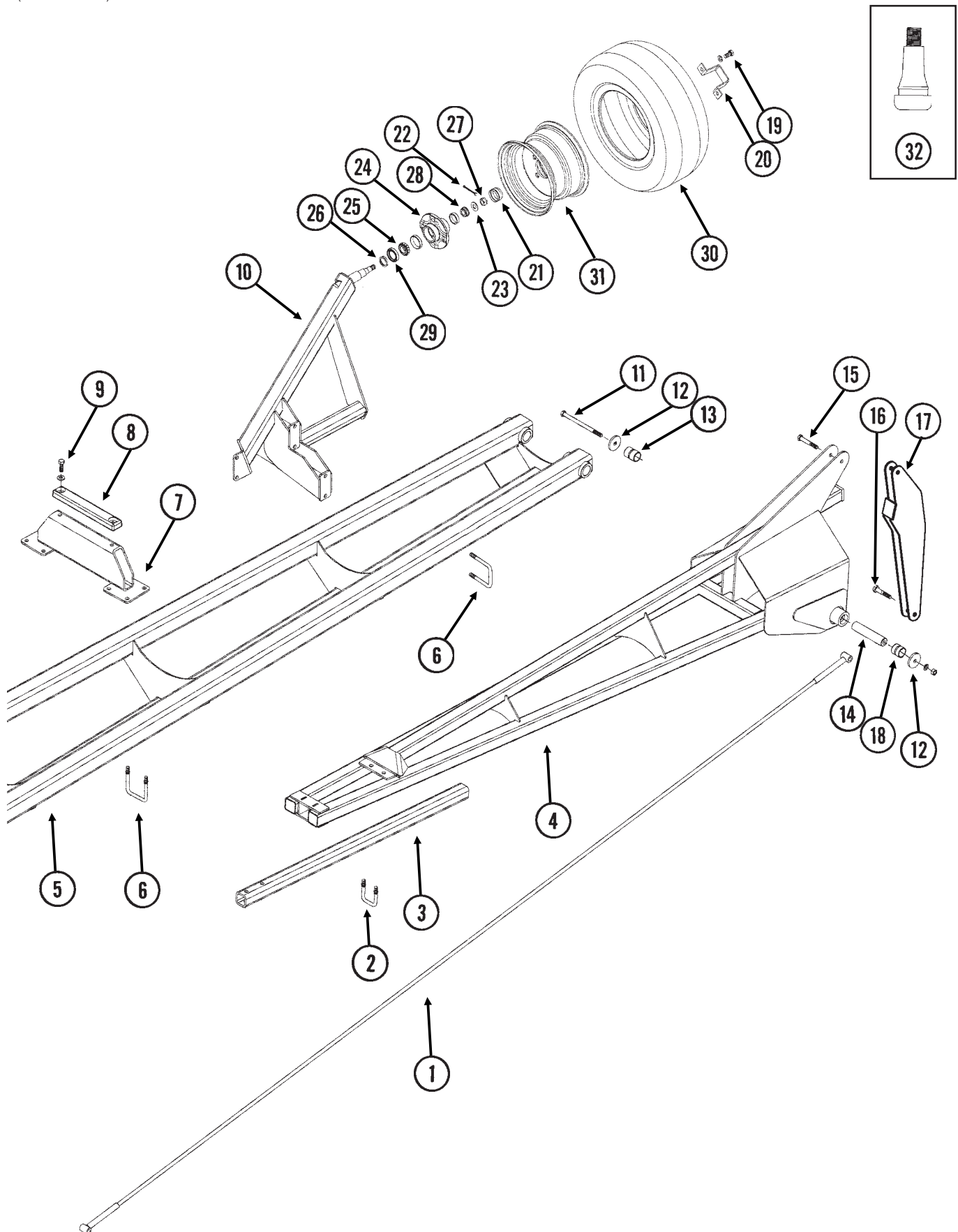


ROW MARKER ASSEMBLY (Mount And First Stage), 24 ROW 30"

ITEM	PART NO.	QTY.	DESCRIPTION
		(Per Assy.)	
1.	GA10395	1	Mount, L.H. (Shown)
	GA10394	-	Mount, R.H.
2.	GA10493	1	Arm W/Grease Fittings And Bushings, 66", First Stage
	GD15131	-	Bushing, 2 1/4" O.D. x 1 3/4" I.D. x 4"
	G10640	-	Grease Fitting, 1/4"-28
3.	GD15140	6	Bumper Pad
4.	GD15194	1	Pin, 1 3/4" x 19 1/4"
5.	GD15192	1	Capture Plate
6.	G10008	2	Hex Head Cap Screw, 5/8"-11 x 2"
	G10230	2	Lock Washer, 5/8"
	GD15193	2	Washer, 2 3/8" O.D. x 2 1/32" I.D. x 3/8"
	GD15742	2	Thrust Washer, 2 1/2" O.D. x 1 3/4" I.D. x 1/8"
7.	G10037	1	Hex Head Cap Screw, 1/2"-13 x 1 1/4"
	G10228	1	Lock Washer, 1/2"
	G10216	1	Washer, 1/2" USS
8.	GA9145	1	Rubber Stop
9.	G10644	2	Hex Head Cap Screw, 7/16"-14 x 1 1/2"
	G10199	2	Washer, 7/16" SAE
	G10237	2	Lock Washer, 7/16"
	G10100	2	Hex Nut, 7/16"-14
10.		-	See "Row Marker Assembly (Second And Third Stages), 24 Row 30", Pages P100 And P101
11.	GD15228	1	Pin, 1 3/4" x 26"
12.	G10477	4	Hex Head Cap Screw, 3/4"-10 x 10"
	GD17372	4	Washer, 2" O.D. x 1 3/16" I.D. x 1/2"
	G10112	4	Lock Nut, 3/4"-10
13.	GD15283	4	Eyebolt, 1"-14 x 10"
	GD17371	4	Washer, 2" O.D. x 1 1/16" I.D. x 1/2"
	G11108	4	Lock Nut, 1"-14
14.	G11110	6	Hex Socket Cap Screw, 5/16"-18 x 1 1/4", Grade 8
	G10109	6	Lock Nut, 5/16"-18, Grade 8
15.	GD15227	2	Pin, 1 1/4" x 8 3/8"
16.	G10460	4	Cotter Pin, 1/4" x 2"
17.	G10356	2	Machine Bushing, 1 3/4", 10 Gauge
	GD15742	2	Thrust Washer, 2 1/2" O.D. x 1 3/4" I.D. x 1/8"
18.	G10362	2	Cotter Pin, 1/4" x 3"
19.	G10008	2	Hex Head Cap Screw, 5/8"-11 x 2"
	GD7805	2	Special Washer, 5/8", Hardened
	G10107	2	Lock Nut, 5/8"-11
20.	GB0218	2	Bushing, 2 1/32" I.D. x 7/8" O.D. x 1 9/32" Long
21.	GA10400	1	Mount
22.	G10397	1	Hex Head Cap Screw, 1/2"-13 x 2 3/4"
	G10111	1	Lock Nut, 1/2"-13
23.		-	See "Row Marker Cylinder", Page P119
24.	GD5875	1	Hose Clamp, 9/16" x 2 1/2" x 2"
25.	G10047	1	Hex Head Cap Screw, 3/8"-16 x 1 3/4"
	G10108	1	Lock Nut, 3/8"-16
26.	G11167	4	Hex Socket Head Cap Screw, No. 10-32 x 1 1/2", Grade 8
27.	GA11066	1	Limit Switch
28.	G10764	2	Hex Head Cap Screw, 5/16"-18 x 5"
	G10221	2	Washer, 5/16" SAE
	G10109	2	Lock Nut, 5/16"-18, Grade 8
29.	GD16175	1	Mount

ROW MARKER ASSEMBLY (Second And Third Stages), 24 ROW 30"

(FWD17c/A10458)



ROW MARKER ASSEMBLY (Second And Third Stages), 24 ROW 30"

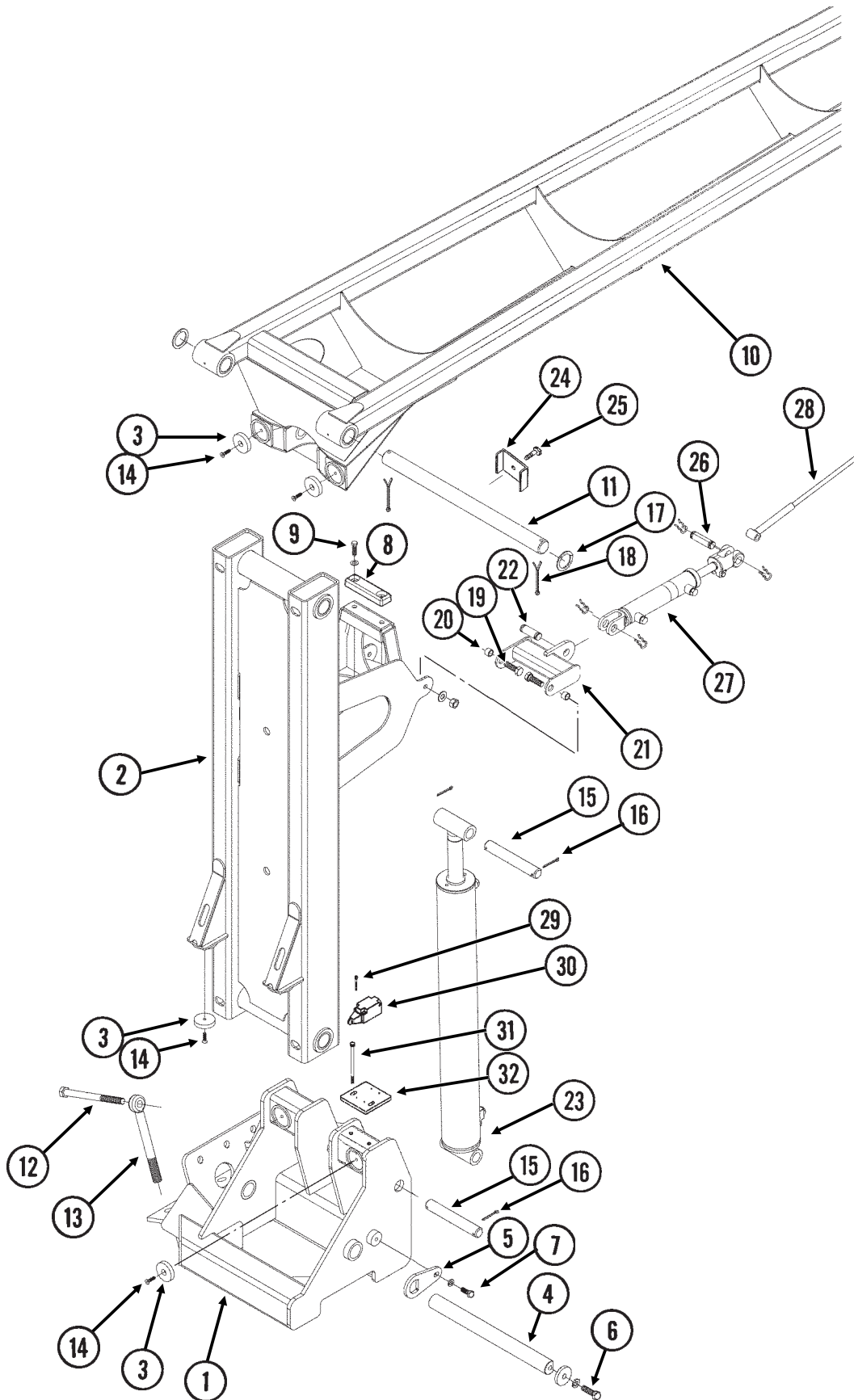
ITEM	PART NO.	QTY. (Per Assy.)	DESCRIPTION
1.	GA10445	1	Cable, 155"
2.	GD2721	1	U-Bolt, 2" x 2" x 1/2"-13
	G10228	2	Lock Washer, 1/2"
	G10102	2	Hex Nut, 1/2"-13
3.	GD0453-07	1	Extension Tube, 45"
4.	GA10391	1	Arm W/Grease Fittings, Third Stage, 108 1/8"
	G10640	-	Grease Fitting, 1/4"-28
5.	GA10494	1	Arm W/Grease Fittings And Bushings, Second Stage, 164 1/16"
	GD15131	-	Bushing, 2 1/4" O.D. x 1 3/4" I.D. x 4"
	G10640	-	Grease Fitting, 1/4"-28
6.	GD4743	7	U-Bolt, 3" x 3" x 1/2"-13
	G10228	14	Lock Washer, 1/2"
	G10102	14	Hex Nut, 1/2"-13
7.	GA10436	1	Bumper Mount
8.	GA9088	1	Molded Stop, 12 1/4" Long
9.	G10017	2	Hex Head Cap Screw, 1/2"-13 x 1 1/2"
	G10206	2	Washer, 1/2" SAE
10.	GA10396	1	Wheel Mount, L.H. (Shown)
	GA10397	1	Wheel Mount, R.H.
11.	G11109	2	Hex Head Cap Screw, 1/2"-13 x 7 1/2"
	G10228	2	Lock Washer, 1/2"
	G10102	2	Hex Nut, 1/2"-13
12.	GD15235	4	Washer, 2 1/4" O.D. x 1/2" I.D. x 1/4"
13.	GD12613	4	Spring Bushing, 1 1/2" O.D. x 1 1/4" I.D. x 2"
14.	GD15229	2	Sleeve, 1 1/4" O.D. x 1/2" I.D. x 5 15/16"
15.	G10585	1	Hex Head Cap Screw, 1/2"-13 x 3 1/4"
	G10111	1	Lock Nut, 1/2"-13
16.	G10397	1	Hex Head Cap Screw, 1/2"-13 x 2 3/4"
	G10111	1	Lock Nut, 1/2"-13
17.	GA10902	1	Swing Link
18.	GD15290	2	Spring Bushing, 1 1/2" Long
19.	G10722	4	Hex Head Cap Screw, 1/2"-20 x 1"
	G10228	4	Lock Washer, 1/2"
20.	GD2597	1	Retainer
21.	GD0840	1	Dust Cap
22.	G10544	1	Cotter Pin, 5/32" x 1"
23.	G10724	1	Washer, 5/8" SAE
24.	GA0167	1	Hub W/Cups, 4 Bolt
	GR0151	-	Outer Cup
	GR0150	-	Inner Cup
25.	GA0245	1	Bearing
26.	GA0899	1	Rubber Seal
27.	G10725	1	Slotted Hex Nut, 5/8"-18
28.	GA0257	1	Bearing
29.	GA0243	1	Grease Seal
30.	GD15489	1	Tire, 20.5 x 8.0-10 (Specify Brand*)
31.	GA10457	1	Rim, 6" x 10"
32.	GA10458	-	Valve Stem

A. GA10409 - Tire And Rim Assembly (Items 30-32)

* Specific brand requests will be supplied only as available from current KINZE® Repair Parts stock. If a specific brand requested is not in stock, the brand available will be supplied.

ROW MARKER ASSEMBLY (Mount And First Stage), 32 ROW 30" AND 36 ROW 30"

(FWD51a)

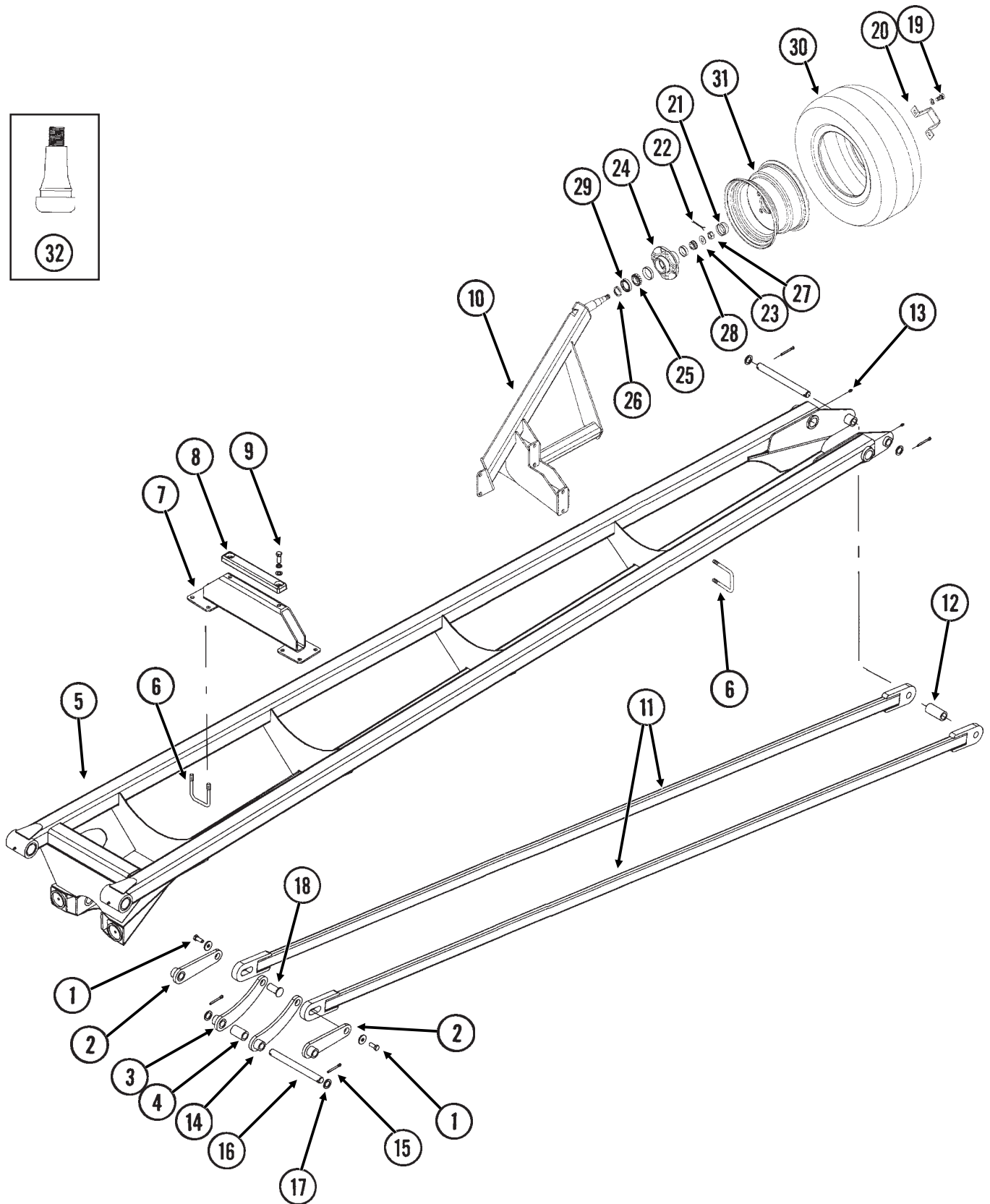
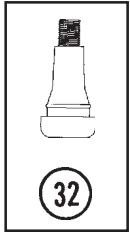


ROW MARKER ASSEMBLY (Mount And First Stage), 32 ROW 30" AND 36 ROW 30"

ITEM	PART NO.	QTY.	DESCRIPTION
		(Per Assy.)	
1.	GA10395	1	Mount, L.H. (Shown)
	GA10394	-	Mount, R.H.
2.	GA10493	1	Arm W/Grease Fittings And Bushings, 66", First Stage
	GD15131	-	Bushing, 2 1/4" O.D. x 1 3/4" I.D. x 4"
	G10640	-	Grease Fitting, 1/4"-28
3.	GD15140	6	Bumper Pad
4.	GD15194	1	Pin, 1 3/4" x 19 1/4"
5.	GD15192	1	Capture Plate
6.	G10008	2	Hex Head Cap Screw, 5/8"-11 x 2"
	G10230	2	Lock Washer, 5/8"
	GD15193	2	Washer, 2 3/8" O.D. x 2 1/32" I.D. x 3/8"
	GD15742	2	Thrust Washer, 2 1/2" O.D. x 1 3/4" I.D. x 1/8"
7.	G10037	1	Hex Head Cap Screw, 1/2"-13 x 1 1/4"
	G10228	1	Lock Washer, 1/2"
	G10216	1	Washer, 1/2" USS
8.	GA9145	1	Rubber Stop
9.	G10644	2	Hex Head Cap Screw, 7/16"-14 x 1 1/2"
	G10199	2	Washer, 7/16" SAE
	G10113	2	Lock Nut, 7/16"-14
10.		-	See "Row Marker Assembly (Second Stage), 32 Row 30" And 36 Row 30", Pages P104 And P105
11.	GD15228	1	Pin, 1 3/4" x 26"
12.	G10477	4	Hex Head Cap Screw, 3/4"-10 x 10"
	GD17372	4	Washer, 2" O.D. x 1 3/16" I.D. x 1/2"
	G10112	4	Lock Nut, 3/4"-10
13.	GD15283	4	Eyebolt, 1"-14 x 10"
	GD17371	4	Washer, 2" O.D. x 1 1/16" I.D. x 1/2"
	G11108	4	Lock Nut, 1"-14
14.	G11110	6	Hex Socket Cap Screw, 5/16"-18 x 1 1/4", Grade 8
	G10109	6	Lock Nut, 5/16"-18, Grade 8
15.	GD15227	2	Pin, 1 1/4" x 8 3/8"
16.	G10460	4	Cotter Pin, 1/4" x 2"
17.	G10356	2	Machine Bushing, 1 3/4", 10 Gauge
	GD15742	2	Thrust Washer, 2 1/2" O.D. x 1 3/4" I.D. x 1/8"
18.	G10362	2	Cotter Pin, 1/4" x 3"
19.	G10008	2	Hex Head Cap Screw, 5/8"-11 x 2"
	GD7805	2	Special Washer, 5/8", Hardened
	G10107	2	Lock Nut, 5/8"-11
20.	GB0218	2	Bushing, 2 1/32" I.D. x 7/8" O.D. x 1 19/32" Long
21.	GA10401	1	Mount
22.	GR0367	1	Pin, 1" x 2 7/8"
	GR0193	2	Hair Pin Clip
23.		-	See "Row Marker Cylinder", Page P119
24.	GD5875	1	Hose Clamp, 9/16" x 2 1/2" x 2"
25.	G10047	1	Hex Head Cap Screw, 3/8"-16 x 1 3/4"
	G10108	1	Lock Nut, 3/8"-16
26.	GR0375	1	Pin, 1" x 3 1/2"
	GR0193	2	Hair Pin Clip
27.		-	See "Row Marker Link Assist Cylinder", Page P119
28.		-	See "Row Marker Assembly (Third And Fourth Stages), 32 Row 30" And 36 Row 30", Pages P106 And P107
29.	G11167	4	Hex Socket Head Cap Screw, No. 10-32 x 1 1/2", Grade 8
30.	GA11066	1	Limit Switch
31.	G10764	2	Hex Head Cap Screw, 5/16"-18 x 5"
	G10221	2	Washer, 5/16" SAE
	G10109	2	Lock Nut, 5/16"-18, Grade 8
32.	GD16175	1	Mount P103

ROW MARKER ASSEMBLY (Second Stage), 32 ROW 30" AND 36 ROW 30"

(FWD50/A10458)



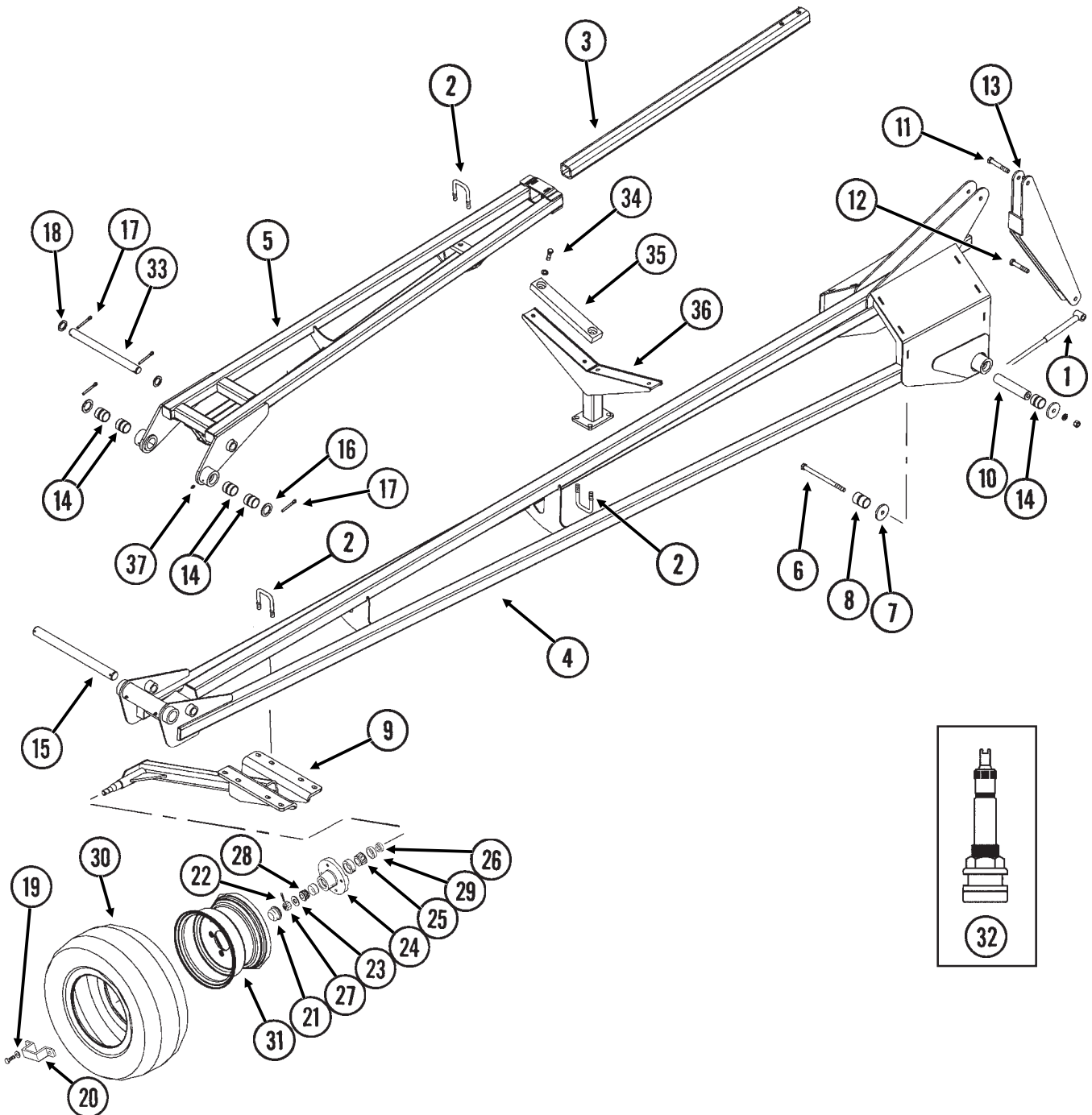
ROW MARKER ASSEMBLY (Second Stage), 32 ROW 30" AND 36 ROW 30"

ITEM	PART NO.	QTY.	DESCRIPTION
		(Per Assy.)	
1.	G10037	2	Hex Head Cap Screw, 1/2"-13 x 1 1/4"
	GD15234	2	Washer, 1 1/2" O.D. x 1/2" I.D. x 7 Gauge
2.	GA10383	2	Short Link
3.	GA10384	1	Long Link
4.	GD5900-21	1	Sleeve, 2 3/8"
5.	GA10720	1	Arm W/Grease Fittings And Bushings, Second Stage, 164"
	GD15131	-	Bushing, 2 1/4" O.D. x 1 3/4" I.D. x 4"
	G10640	-	Grease Fitting, 1/4"-28
6.	GD4743	6	U-Bolt, 3" x 3" x 1/2"-13
	G10228	12	Lock Washer, 1/2"
	G10102	12	Hex Nut, 1/2"-13
7.	GA10392	1	Bumper Mount
8.	GA9088	1	Molded Stop, 12 1/4" Long
9.	G10017	2	Hex Head Cap Screw, 1/2"-13 x 1 1/2"
	G10206	2	Washer, 1/2" SAE
10.	GA10396	1	Wheel Mount, L.H. (Shown)
	GA10397	1	Wheel Mount, R.H.
11.	GA10386	2	Link, 143 3/4"
12.	GD5900-20	1	Sleeve, 3 3/16"
13.	G10640	4	Grease Fitting, 1/4"-28
14.	GA10385	1	Long Link
15.	G10460	4	Cotter Pin, 1/4" x 2"
16.	GD15230	2	Pin, 1" x 10 3/4"
17.	G10233	4	Machine Bushing, 1", 10 Gauge
18.	GD15233	2	Pin, 1 1/2" x 2 19/64"
19.	G10722	4	Hex Head Cap Screw, 1/2"-20 x 1"
	G10228	4	Lock Washer, 1/2"
20.	GD2597	1	Retainer
21.	GD0840	1	Dust Cap
22.	G10544	1	Cotter Pin, 5/32" x 1"
23.	G10724	1	Washer, 5/8" SAE
24.	GA0167	1	Hub W/Cups, 4 Bolt
	GR0151	-	Outer Cup
	GR0150	-	Inner Cup
25.	GA0245	1	Bearing
26.	GA0899	1	Rubber Seal
27.	G10725	1	Slotted Hex Nut, 5/8"-18
28.	GA0257	1	Bearing
29.	GA0243	1	Grease Seal
30.	GD15489	1	Tire, 20.5 x 8.0-10 (Specify Brand*)
31.	GA10457	1	Rim, 6" x 10"
32.	GA10458	-	Valve Stem
A.	GA10409	-	Tire And Rim Assembly (Items 30-32)

* Specific brand requests will be supplied only as available from current KINZE® Repair Parts stock. If a specific brand requested is not in stock, the brand available will be supplied.

ROW MARKER ASSEMBLY (Third And Fourth Stages), 32 ROW 30" AND 36 ROW 30"

(FWD50a/A3474)



ITEM	PART NO.	QTY.	DESCRIPTION
		(Per Assy.)	
1.	GA10507	1	Cable, 132 1/2"
2.	GD2721	7	U-Bolt, 2" x 2" x 1/2"-13
	G10228	14	Lock Washer, 1/2"
	G10102	14	Hex Nut, 1/2"-13
3.	GD0453-07	1	Extension Tube, 45"
4.	GA10375	1	Arm W/Grease Fittings, Third Stage, 148 1/2"
	G10640	-	Grease Fitting, 1/4"-28

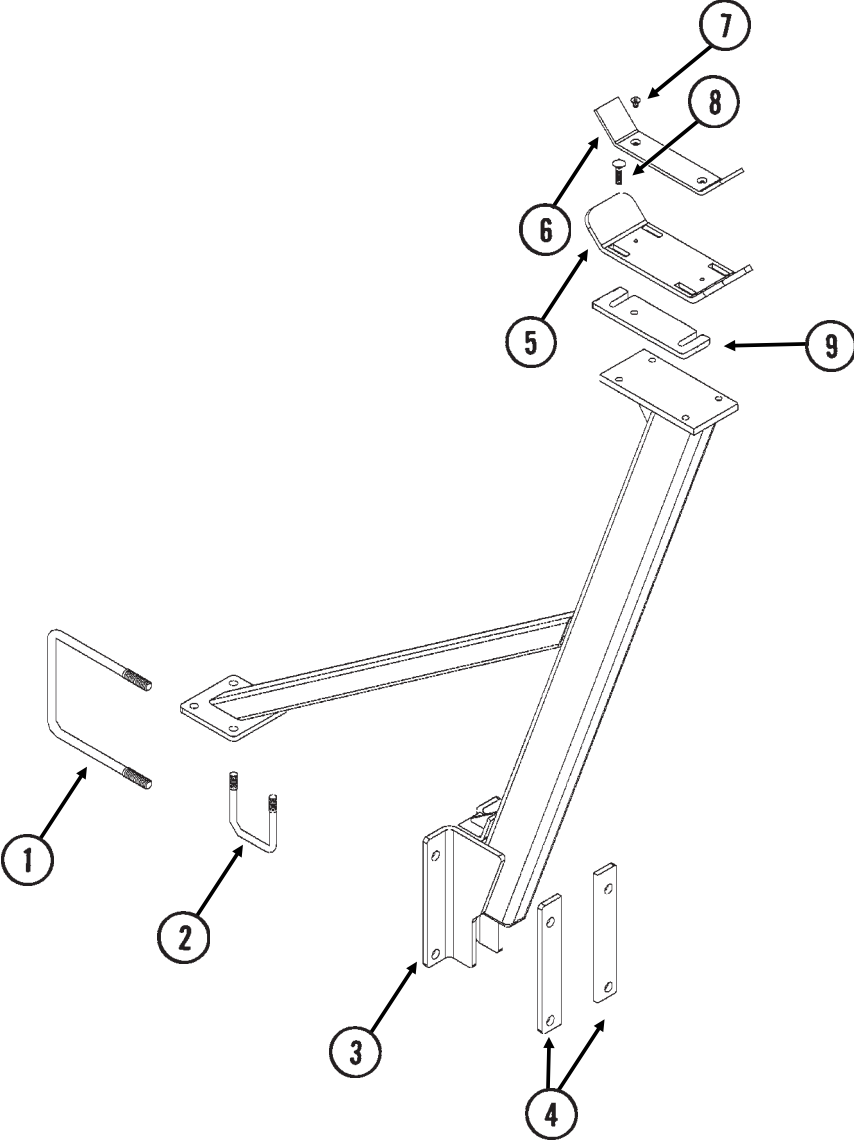
ROW MARKER ASSEMBLY (Third And Fourth Stages), 32 ROW 30" AND 36 ROW 30"

ITEM	PART NO.	QTY.	DESCRIPTION
		(Per Assy.)	
5.	GA10376	1	Arm, Fourth Stage, 70 ⁵ / ₃₂ ", 32 Row 30"
	GA10426	-	Arm, Fourth Stage, 130", 36 Row 30"
6.	G11034	2	Hex Head Cap Screw, ¹ / ₂ "-13 x 7"
	G10111	2	Lock Nut, ¹ / ₂ "-13
7.	GD15235	4	Washer, 2 ¹ / ₄ " O.D. x ¹ / ₂ " I.D. x ¹ / ₄ "
8.	GD12613	4	Spring Bushing, 1 ¹ / ₂ " O.D. x 1 ¹ / ₄ " I.D. x 2"
9.	GA10398	1	Wheel Arm, R.H. (Shown)
	GA10399		Wheel Arm, L.H.
10.	GD15229	2	Sleeve, 1 ¹ / ₄ " O.D. x ¹ / ₂ " I.D. x 5 ¹⁵ / ₁₆ "
11.	G10585	1	Hex Head Cap Screw, ¹ / ₂ "-13 x 3 ¹ / ₄ "
	G10111	1	Lock Nut, ¹ / ₂ "-13
12.	G10397	1	Hex Head Cap Screw, ¹ / ₂ "-13 x 2 ³ / ₄ "
	G10111	1	Lock Nut, ¹ / ₂ "-13
13.	GA10382	1	Swing Link
14.	GD15290	6	Spring Bushing, 1 ¹ / ₂ " Long
15.	GD15231	1	Pin, 1 ¹ / ₄ " x 14 ⁷ / ₈ "
16.	G10159	2	Machine Bushing, 1 ¹ / ₄ ", 10 Gauge
17.	G10460	4	Cotter Pin, ¹ / ₄ " x 2"
18.	G10233	2	Machine Bushing, 1", 10 Gauge
19.	G10722	4	Hex Head Cap Screw, ¹ / ₂ "-20 x 1"
	G10228	4	Lock Washer, ¹ / ₂ "
20.	GD2597	1	Retainer
21.	GD0840	1	Dust Cap
22.	G10544	1	Cotter Pin, ⁵ / ₃₂ " x 1"
23.	G10724	1	Washer, ⁵ / ₈ " SAE
24.	GA0167	1	Hub W/Cups, 4 Bolt
	GR0151	-	Outer Cup
	GR0150	-	Inner Cup
25.	GA0245	1	Bearing
26.	GA0899	1	Rubber Seal
27.	G10725	1	Slotted Hex Nut, ⁵ / ₈ "-18
28.	GA0257	1	Bearing
29.	GA0243	1	Grease Seal
30.	GD15489	1	Tire, 20.5 x 8.0-10 (Specify Brand*)
31.	GA10457	1	Rim, 6" x 10"
32.	GA10458	-	Valve Stem
33.	GD15232	1	Pin, 1" x 12 ³ / ₄ "
34.	G10644	4	Hex Head Cap Screw, ⁷ / ₁₆ "-14 x 1 ¹ / ₂ "
	G10199	4	Washer, ⁷ / ₁₆ " SAE
	G10113	4	Lock Nut, ⁷ / ₁₆ "-14
35.	GD15649	2	Wear Pad
36.	GA10496	1	Support
37.	G10640	1	Grease Fitting, ¹ / ₄ "-28
A.	GA10409	-	Tire And Rim Assembly (Items 30-32)

* Specific brand requests will be supplied only as available from current KINZE® Repair Parts stock. If a specific brand requested is not in stock, the brand available will be supplied.

ROW MARKER STAND, ALL SIZES

(FWD18a)

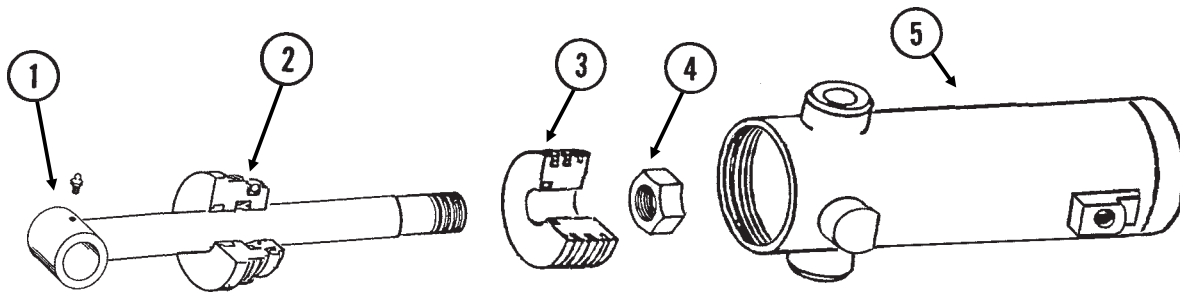


ROW MARKER STAND, ALL SIZES

ITEM	PART NO.	QTY.	DESCRIPTION
		(Per Assy.)	
1.	GD1114	2	U-Bolt, 7" x 7" x 5/8"-11
	G10230	4	Lock Washer, 5/8"
	G10104	4	Hex Nut, 5/8"-11
2.	GD4743	2	U-Bolt, 3" x 3" x 1/2"-13
	G10228	4	Lock Washer, 1/2"
	G10102	4	Hex Nut, 1/2"-13
3.	GA10468	1	Stand
4.	GD15545	2	Bar, 1 3/4" x 10"
5.	GD15552	1	Plate
6.	GD15560	1	Pad
7.	G11133	2	Hex Socket Head Cap Screw, 5/16"-18 x 3/4", Grade 8
8.	G11134	4	Carriage Bolt, 3/8"-16 x 1 3/4"
	G10229	4	Lock Washer, 3/8"
	G10101	4	Hex Nut, 3/8"-16
9.	GD15784	-	Shim (As Required)

MASTER CYLINDER, 24 ROW 30" AND 32 ROW 30"

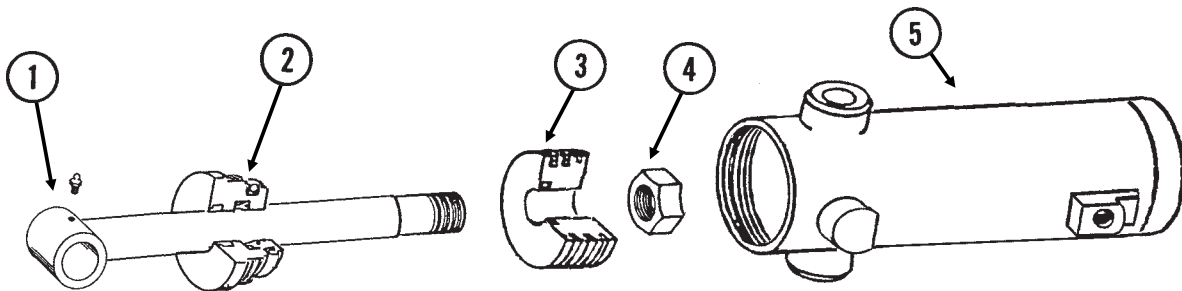
(CYL58)



ITEM	PART NO.	QTY.	DESCRIPTION
1.	GA10359	1	Rod Assembly W/Grease Fitting
	G10640	-	Grease Fitting, 1/4"-28
2.	GD14898	1	Gland
3.	GD14897	1	Piston
4.	G10958	1	Lock Nut, 1"-14
5.	A10361	1	Barrel (Non-Stock Item)
A.	GA10362	-	Cylinder Complete, 4" x 8" <i>(Part Number Stamped On Barrel)</i>
B.	GR1688	-	Seal Kit, Includes: (2) O-Rings, (1) U-Cup, (1) Wiper, (1) Expander, (2) Cast Iron Rings, (1) BU Ring, (1) Piston Seal

MASTER CYLINDER, 36 ROW 30"

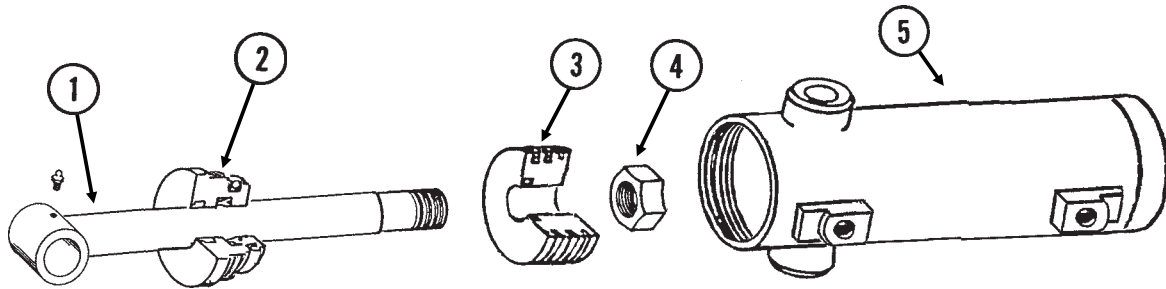
(CYL58)



ITEM	PART NO.	QTY.	DESCRIPTION
1.	GA11370	1	Rod Assembly W/Grease Fitting
	G10640	-	Grease Fitting, 1/4"-28
2.	GD12522	1	Gland
3.	GA11374	1	Piston W/Rephasing Valve
	GR1169	-	Rephasing Valve Replacement Kit (Set Screw, Guide, 2 Springs And Ball)
4.	G10958	1	Lock Nut, 1"-14
5.	A11368	1	Barrel (Non-Stock Item)
A.	GA11367	-	Cylinder Complete, 4 1/2" x 8" <i>(Part Number Stamped On Barrel)</i>
B.	GR1757	-	Seal Kit, Includes: (2) O-Rings, (1) U-Cup, (1) Wiper, (1) BU Ring, (1) Wear Ring, (1) T-Seal

SLAVE/LIFT ASSIST CYLINDERS, 24 ROW 30", 32 ROW 30" AND 36 ROW 30"

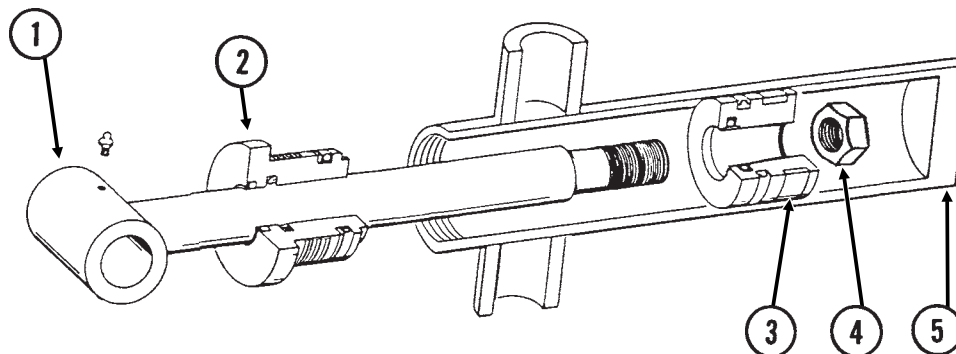
(CYL59)



ITEM	PART NO.	QTY.	DESCRIPTION
1.	GA10363	1	Rod Assembly W/Grease Fitting
	G10640	-	Grease Fitting, 1/4"-28
2.	GD14902	1	Gland
3.	GD14901	1	Piston
4.	G10958	1	Lock Nut, 1"-14
5.	A10365	1	Barrel (Non-Stock Item)
A.	GA10366	-	Cylinder Complete, 3 3/4" x 8" <i>(Part Number Stamped On Barrel)</i>
B.	GR1689	-	Seal Kit, Includes: (2) O-Rings, (1) U-Cup, (1) Wiper, (1) Seal, (2) Cast Iron Rings, (1) BU Ring, (1) Expander

LIFT ASSIST/SLAVE CYLINDERS, 24 ROW 30", 32 ROW 30" AND 36 ROW 30"

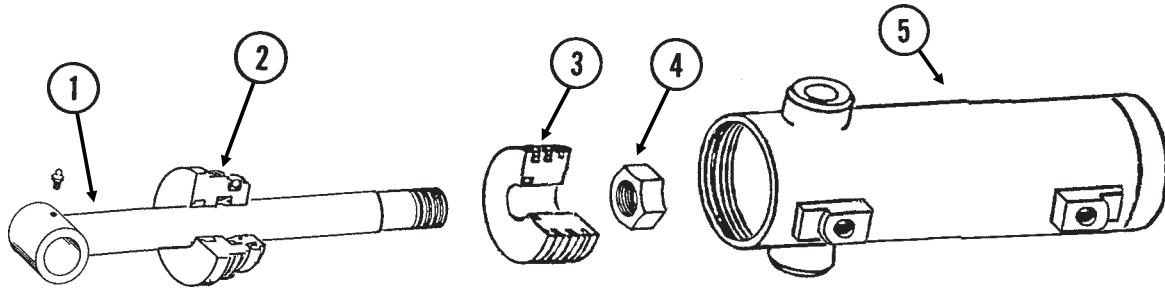
CYL026(CYL4d)



ITEM	PART NO.	QTY.	DESCRIPTION
1.	GA8831	1	Rod Assembly W/Grease Fitting
	G10640	-	Grease Fitting, 1/4"-28
2.	GD11926	1	Gland
3.	GD5956	1	Piston
4.	G10958	1	Lock Nut, 1"-14
5.	A8827	1	Barrel (Non-Stock Item)
A.	GA8828	-	Cylinder Complete, 2 1/2" x 8" <i>(Part Number Stamped On Barrel)</i>
B.	GR1522	-	Seal Kit, Includes: (1) T-Seal, (2) O-Rings, (1) BU Ring, (1) U-Cup, (1) Wiper

SLAVE CYLINDER, 32 ROW 30"

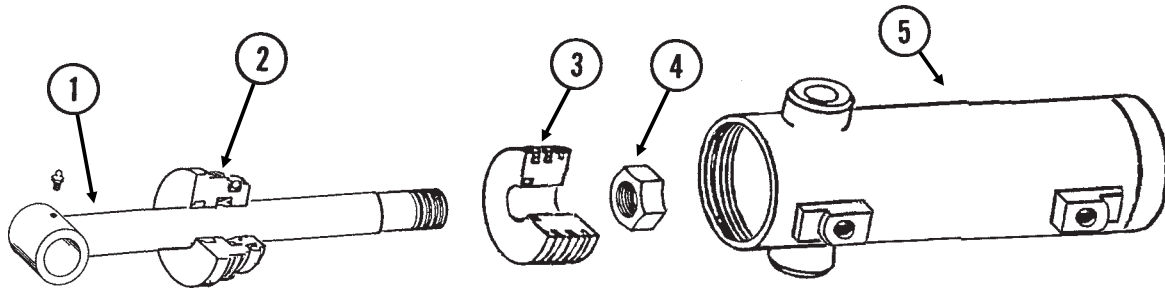
(CYL59)



ITEM	PART NO.	QTY.	DESCRIPTION
1.	GA10367	1	Rod Assembly W/Grease Fitting
	G10640	-	Grease Fitting, 1/4"-28
2.	GD12507	1	Gland
3.	GD14907	1	Piston
4.	G10958	1	Lock Nut, 1"-14
5.	A10369	1	Barrel (Non-Stock Item)
A.	GA10370	-	Cylinder Complete, 3 1/2" x 8" (<i>Part Number Stamped On Barrel</i>)
B.	GR1690	-	Seal Kit, Includes: (2) O-Rings, (1) U-Cup, (1) Wiper, (1) Seal, (2) Cast Iron Rings, (1) BU Ring, (1) Expander

SLAVE CYLINDER, 36 ROW 30"

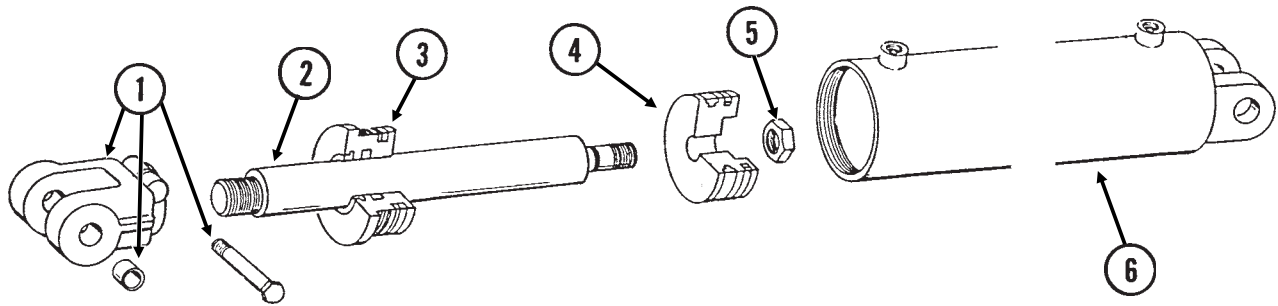
(CYL59)



ITEM	PART NO.	QTY.	DESCRIPTION
1.	GA10359	1	Rod Assembly W/Grease Fitting
	G10640	-	Grease Fitting, 1/4"-28
2.	GD14898	1	Gland
3.	GD14897	1	Piston
4.	G10958	1	Lock Nut, 1"-14
5.	A11372	1	Barrel (Non-Stock Item)
A.	GA11371	-	Cylinder Complete, 4" x 8" (<i>Part Number Stamped On Barrel</i>)
B.	GR1688	-	Seal Kit, Includes: (2) O-Rings, (1) U-Cup, (1) Wiper, (1) Seal, (2) Cast Iron Rings, (1) BU Ring, (1) Expander

WING FOLD CYLINDER, ALL SIZES

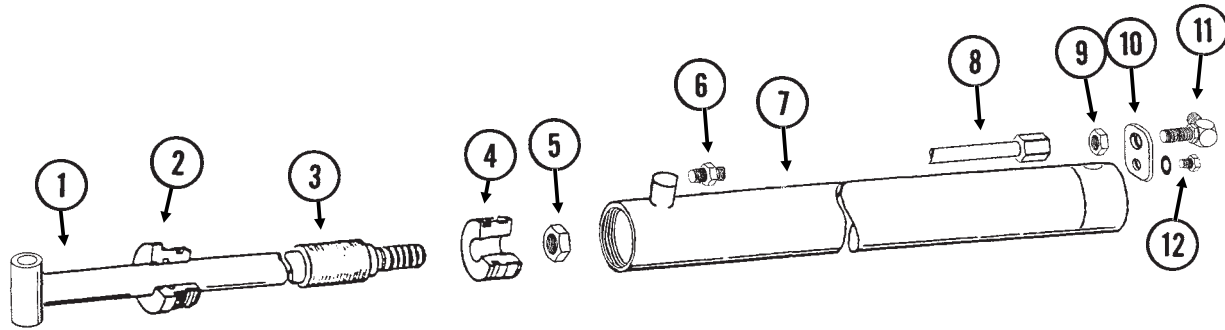
(CYL15e)



ITEM	PART NO.	QTY	DESCRIPTION
1.	GA8130	1	Clevis W/Bushings, Hex Head Cap Screw And Hex Nut
	GD11751	2	Steel Bushing, 1" Wide
	G10939	1	Hex Head Cap Screw, $\frac{3}{8}$ "-16 x 2 $\frac{1}{4}$ "
	G10101	1	Hex Nut, $\frac{3}{8}$ "-16
2.	GD14908	1	Rod
3.	GD12522	1	Gland
4.	GD14910	1	Piston
5.	G10972	1	Lock Nut, 1 $\frac{1}{4}$ "-12
6.	A10372	1	Barrel (Non-Stock Item)
A.	GA10373	-	Cylinder Complete, 4 $\frac{1}{2}$ " x 30" (<i>Part Number Stamped On Barrel</i>)
B.	GR1691	-	Seal Kit (For Cylinder And Counter Balance Valve), Includes: (1) Wiper, (1) U-Cup, (3) O-Rings, (1) BU Ring, (1) T-Seal, (1) Wear Ring

AXLE SLIDE CYLINDER, 24 ROW 30"

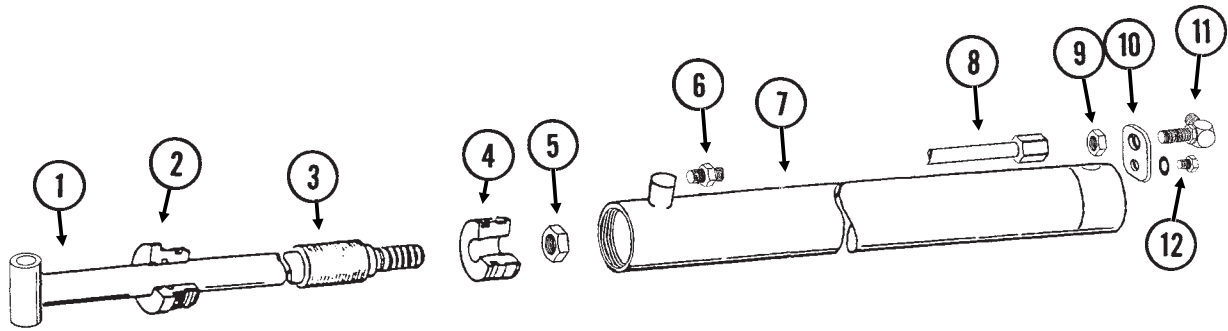
(CYL12g)



ITEM	PART NO.	QTY.	DESCRIPTION
1.	GA10248	1	Rod Assembly
2.	GD12670	1	Gland
3.	GD14915	1	Sleeve, 6 1/2"
4.	GD12672	1	Piston
5.	G10972	1	Lock Nut, 1 1/4"-12
6.	G6400-08-04	1	Connector W/O-Ring, 3/4"-16 Male JIC To 7/16"-20 O-Ring
	GR1465	-	O-Ring
7.	A10250	1	Barrel (Non-Stock Item)
8.	GA10242	1	Steel Hydraulic Line, 66 7/16"
9.	G306-08	1	Lock Nut, 3/4"-16
10.	GD12597	1	Bracket
11.	G2701-08	1	Bulkhead Elbow, 90°, 3/4"-16 Male JIC
12.	G10328	1	Hex Head Cap Screw, 3/8"-16 x 5/8"
	G10229	1	Lock Washer, 3/8"
A.	GA10251	-	Cylinder Complete, 4" x 24" <i>(Part Number Stamped On Barrel)</i>
B.	GR1552	-	Seal Kit, Includes: (2) O-Rings, (1) BU Ring, (1) Wear Ring, (1) Wiper, (1) U-Cup, (1) T-Seal

AXLE SLIDE CYLINDER, 32 ROW 30" AND 36 ROW 30"

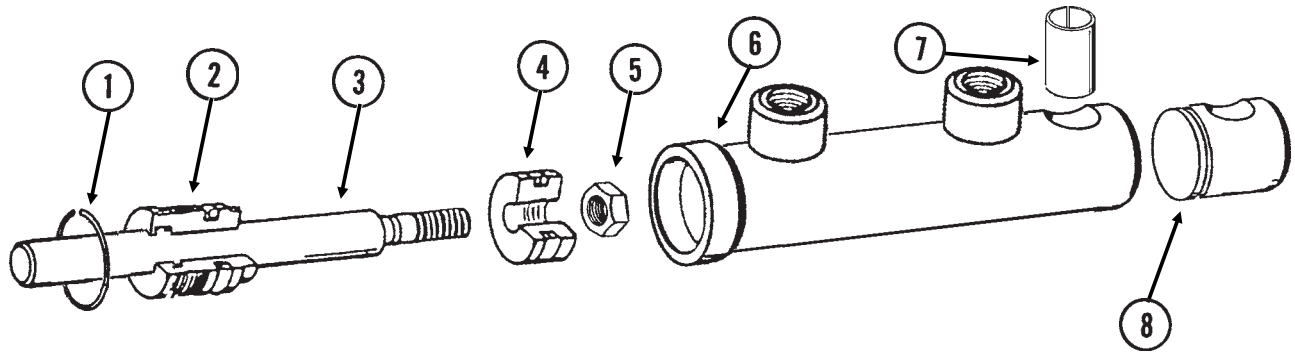
(CYL12g)



ITEM	PART NO.	QTY.	DESCRIPTION
1.	GA10243	1	Rod Assembly
2.	GD12670	1	Gland
3.	GD14915	1	Sleeve, 6 1/2"
4.	GD12672	1	Piston
5.	G10972	1	Lock Nut, 1 1/4"-12
6.	G6400-08-04	1	Connector W/O-Ring, 3/4"-16 Male JIC To 7/16"-20 O-Ring
	GR1465	-	O-Ring
7.	GA10245	1	Barrel
8.	GA10242	1	Steel Hydraulic Line, 66 7/16"
9.	G306-08	1	Lock Nut, 3/4"-16
10.	GD12597	1	Bracket
11.	G2701-08	1	Bulkhead Elbow, 90°, 3/4"-16 Male JIC
12.	G10328	1	Hex Head Cap Screw, 3/8"-16 x 5/8"
	G10229	1	Lock Washer, 3/8"
A.	GA10246	-	Cylinder Complete, 4" x 60" (<i>Part Number Stamped On Barrel</i>)
B.	GR1552	-	Seal Kit, Includes: (2) O-Rings, (1) BU Ring, (1) Wear Ring, (1) Wiper, (1) U-Cup, (1) T-Seal

TONGUE LATCH AND SLIDE LATCH CYLINDER, ALL SIZES

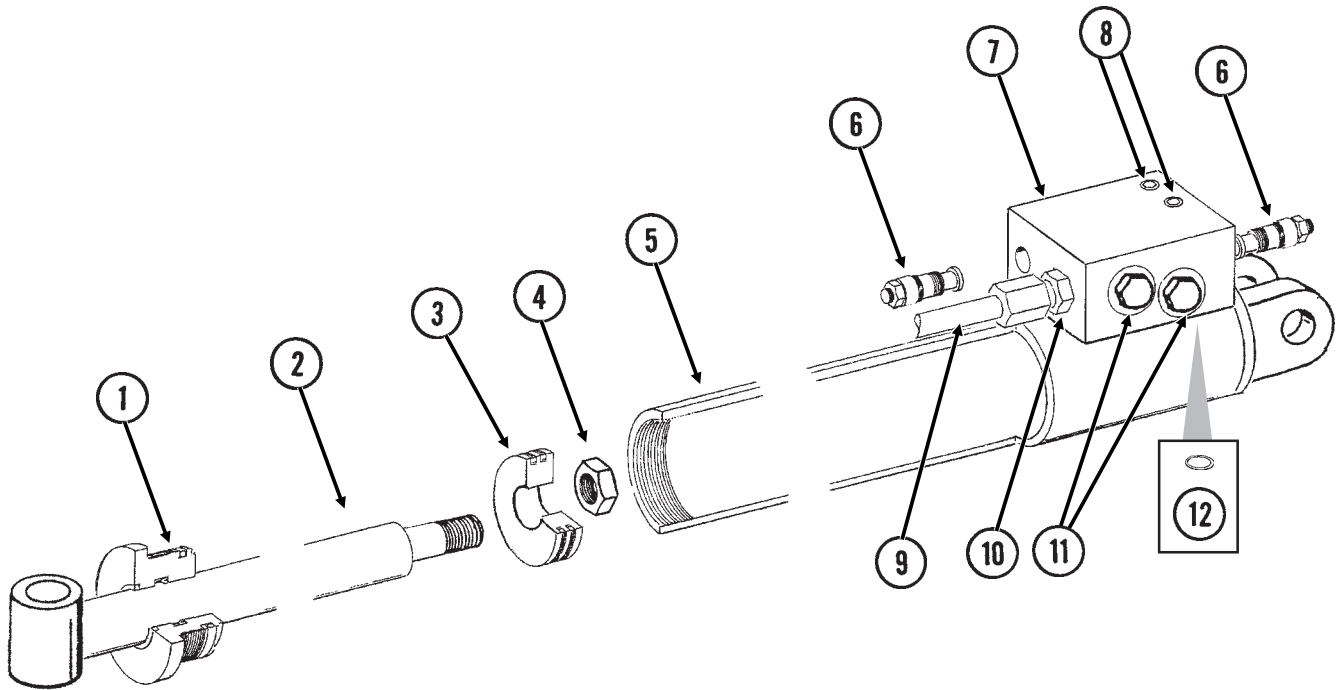
CYL035(CYL9d)



ITEM	PART NO.	QTY.	DESCRIPTION
1.	G10770	1	Internal Retaining Ring, 1 ¹¹ / ₁₆ "
2.	GD13170	1	Gland
3.	GD13171	1	Rod
4.	GD13172	1	Piston
5.	G11016	1	Lock Nut, ¹ / ₂ "-20
6.	D13169	1	Barrel (Non-Stock Item)
7.	GD13400	1	Tension Bushing, 1" x 2" Long
8.	GD13173	1	End Cap
A.	GA9205	-	Cylinder Complete, 1 ¹ / ₂ " x 2 ¹ / ₂ " (<i>Part Number Stamped On Barrel</i>)
B.	GR1598	-	Seal Kit, Includes: (3) O-Rings, (2) BU Rings, (1) Wiper, (1) T-Seal, (1) Bronze Bushing, (1) U-Cup

TRANSPORT AXLE CYLINDER, ALL SIZES

(CYL54d/D12239)



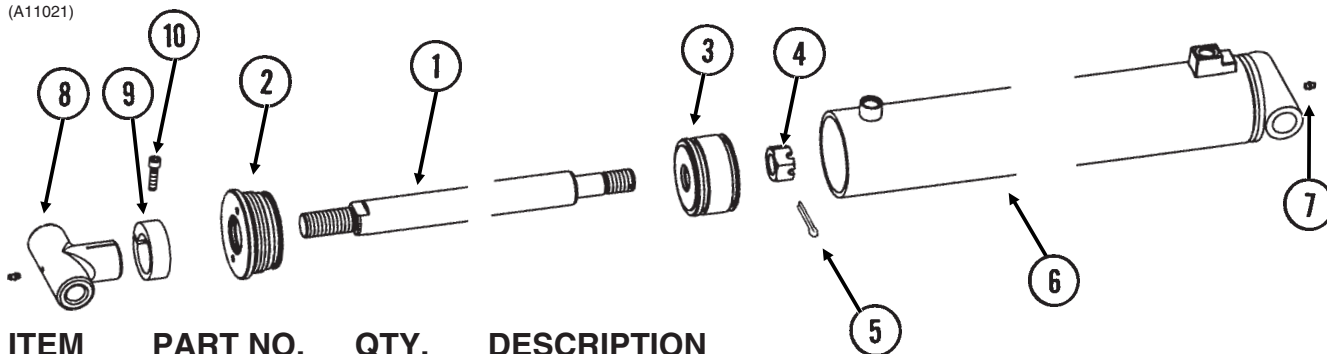
ITEM	PART NO.	QTY.	DESCRIPTION
------	----------	------	-------------

(Per Cylinder)

1.	GD12522	1	Gland
2.	GA10253	1	Rod Assembly
3.	GD15774	1	Piston
4.	G10972	1	Lock Nut, 1 1/4"-12
5.	A10255	1	Barrel (Non-Stock Item)
6.	GA10714	2	Counter Balance Valve
7.	GD15623	1	Block
8.	G10932	2	Hex Socket Head Cap Screw, 5/16"-18 x 2", Grade 8
9.	GA10623	1	Steel Hydraulic Line, 23 1/4"
10.	G6400-08	2	Connector W/O-Ring, 3/4"-16 Male JIC To O-Ring
	GR1037	-	O-Ring
11.	G6408-08	-	Plug W/O-Ring, 3/4"-16 O-Ring
	GR1037	-	O-Ring
12.	GD12239	1	O-Ring, No. 016
A.	GA10256	-	Cylinder Complete, 4 1/2" x 28" <i>(Part Number Stamped On Barrel)</i>
B.	GR1691	-	Seal Kit (For Cylinder And Counter Balance Valve), Includes: (1) Wiper, (1) U-Cup, (3) O-Rings, (1) BU Ring, (1) T-Seal, (1) Wear Ring
C.	GR1517	-	Seal Kit For Counter Balance Valve, Includes: (3) O-Rings, (3) BU Rings

ROW MARKER CYLINDER, ALL SIZES

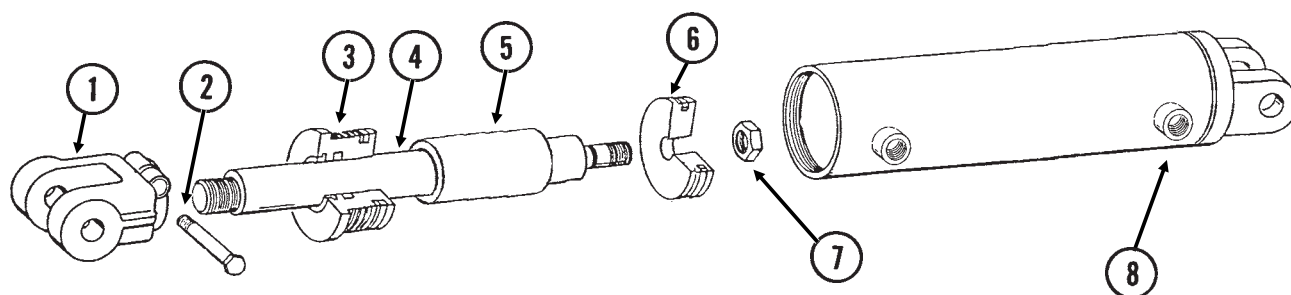
(A11021)



ITEM	PART NO.	QTY.	DESCRIPTION
1.	GD16147	1	Rod
2.	GD12539	1	Gland
3.	GD14089	1	Piston
4.	G10983	1	Slotted Hex Nut, 1 1/8"-12
5.	G10984	1	Cotter Pin, 3/16" x 2 1/2"
6.	A11020	1	Barrel (Non-Stock Item)
7.	G10640	2	Grease Fitting, 1/4"-28
8.	GD16184	1	Clamp
9.	GD16060	1	Sleeve
10.	G11099	1	Hex Socket Head Cap Screw, 3/8"-16 x 1 1/2", Grade 8
A.	GA11021	-	Cylinder Complete, 4" x 32" (<i>Part Number Stamped On Barrel</i>)
B.	GR1630	-	Seal Kit, Includes: (2) O-Rings, (1) BU Ring, (1) Wiper, (1) T-Seal, (1) Cast Iron Ring, (1) U-Cup Seal

ROW MARKER LINK ASSIST CYLINDER, 32 ROW 30" AND 36 ROW 30"

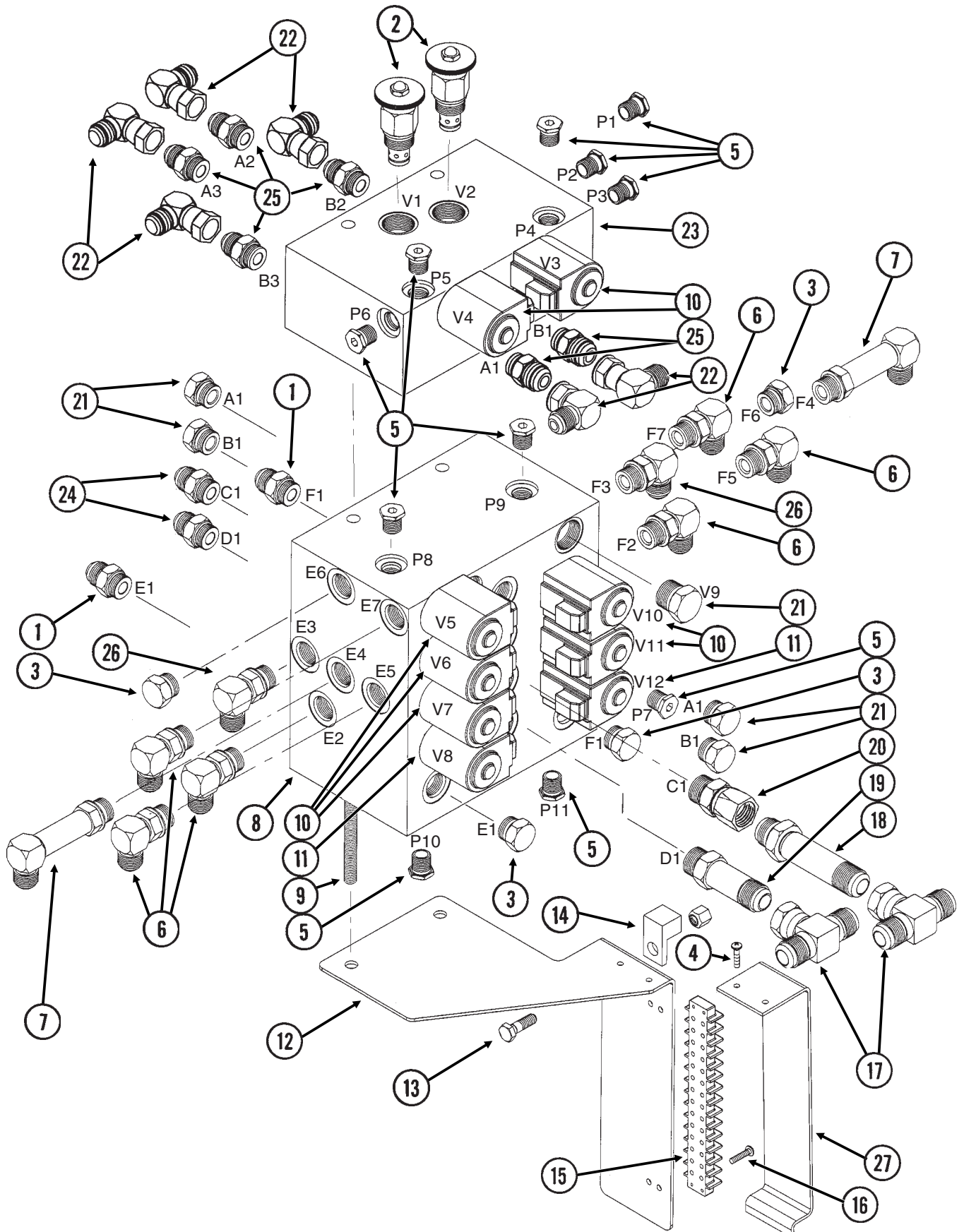
(CYL33j)



ITEM	PART NO.	QTY.	DESCRIPTION
1.	GD11950	1	Clevis
2.	G10939	1	Hex Head Cap Screw, 3/8"-16 x 2 1/4"
	G10108	1	Lock Nut, 3/8"-16
3.	GD12510	1	Gland
4.	GD14233	1	Rod
5.	GD5900-19	1	Sleeve, 4"
6.	GD12511	1	Piston
7.	G10967	1	Lock Nut, 3/4"-16
8.	A8775	1	Barrel (Non-Stock Item)
A.	GA10410	-	Cylinder Complete, 2" x 4" (<i>Part Number Stamped On Barrel</i>)
B.	GR1529	-	Seal Kit, Includes: (2) O-Rings, (1) BU Ring, (1) Wiper, (1) T-Seal, (2) U-Cup Seals, (1) Instruction

VALVE BLOCKS - LOCATED ON HITCH (Conventional)

(FWD19b)

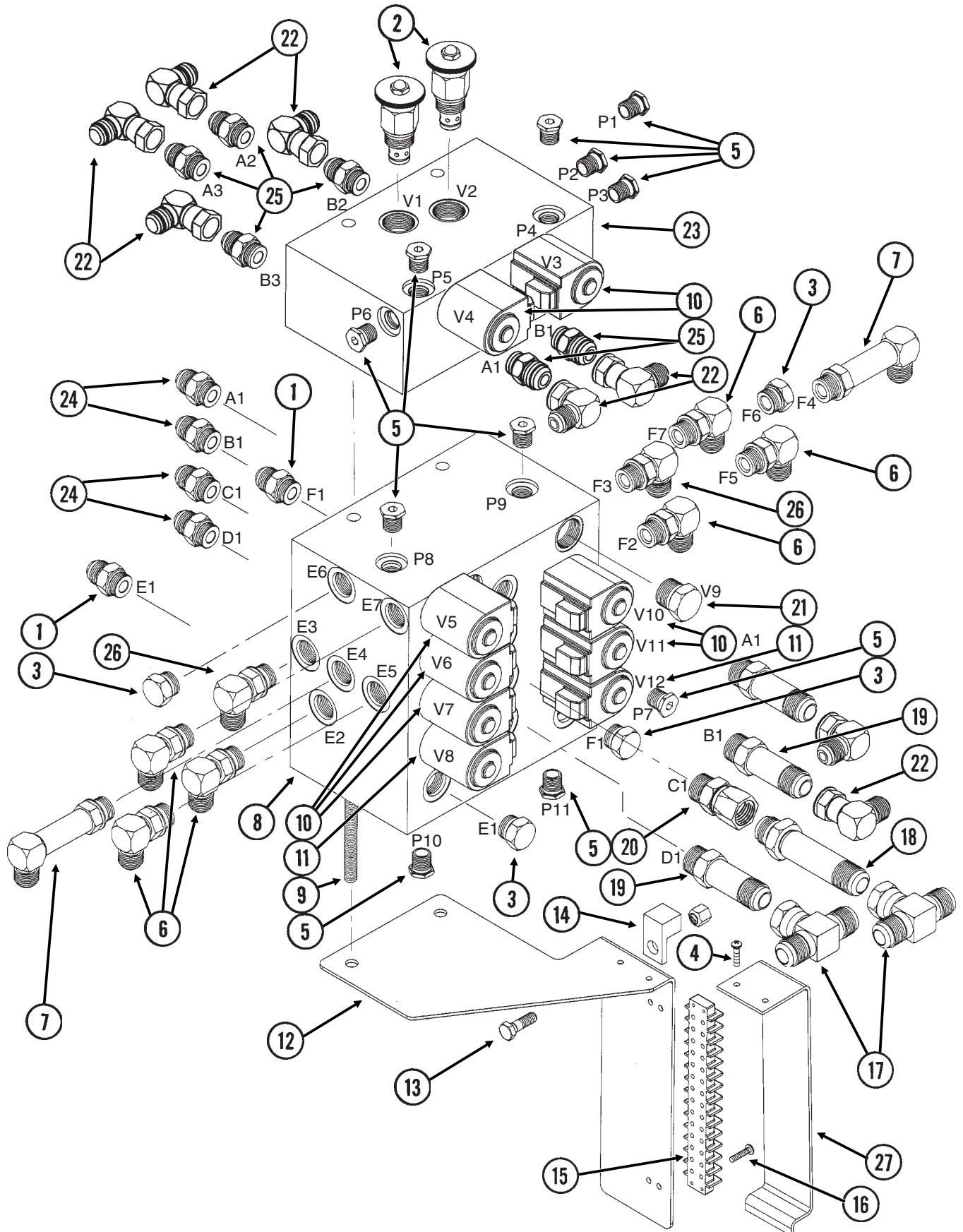


VALVE BLOCKS - LOCATED ON HITCH (Conventional)

ITEM	PART NO.	QTY.	DESCRIPTION
1.	G6400-08	2	Connector W/O-Ring, 3/4"-16 Male JIC To O-Ring
	GR1037	-	O-Ring
2.	GA3413	2	Flow Control Valve
	GR0764	-	Seal Kit, Includes: (2) O-Rings, (1) BU Ring
3.	G6408-08	4	Plug W/O-Ring, 3/4"-16 O-Ring
	GR1037	-	O-Ring
4.	G11067	2	Phillips Pan Head Machine Screw, No. 8-32 x 3/4", Stainless Steel
	G10928	2	Hex Nut, No. 8-32, Stainless Steel
5.	G6408-H06-0	11	Hex Socket Head Plug W/O-Ring, 9/16"-18 O-Ring
	GR1045	-	O-Ring
6.	G6801-08	6	Elbow W/O-Ring, 90°, 3/4"-16 Male JIC To O-Ring
	GR1037	-	O-Ring
7.	G6801-LL-08	2	X-Long Elbow W/O-Ring, 90°, 3/4"-16 Male JIC To O-Ring
	GR1037	-	O-Ring
8.	GD14922	1	Block
9.	GD15187-01	2	Threaded Rod, 3/8"-16 x 13"
	G10203	2	Washer, 3/8" SAE
	G10108	2	Lock Nut, 3/8"-16
10.		-	See "Solenoid Valve (G1K275)", Page P130
11.		-	See "Solenoid Valve (G1K276)", Page P131
12.	GD15634	1	Mount
13.	G10002	1	Hex Head Cap Screw, 3/8"-16 x 3/4"
	G10622	1	Serrated Flange Nut, 3/8"-16
14.	GA3584	1	Ground Clamp
15.	GA9097	1	Terminal Strip W/Screws, No. 6, 14 Terminal
	GR1635	-	Screw, No. 6-32 x 1/4"
16.	G11067	2	Phillips Pan Head Machine Screw, No. 8-32 x 3/4", Stainless Steel
17.	G6600-10	2	Swivel Tee, 7/8"-14 JIC
18.	G2700-10	1	Bulkhead Tube Union, 7/8"-14 Male JIC
19.	G6400-L-10	1	Long Connector W/O-Ring, 7/8"-14 Male JIC To O-Ring
	GR1466	-	O-Ring
20.	G6402-10	1	Connector W/O-Ring, 7/8"-14 Female JIC To Male O-Ring
	GR1466	-	O-Ring
21.	G6408-10	5	Plug W/O-Ring, 7/8"-14 O-Ring
	GR1466	-	O-Ring
22.	G6500-10	6	Swivel Elbow, 90°, 7/8"-14 Male JIC To Female
23.	GD14923	1	Block
24.	G6400-10	2	Connector W/O-Ring, 7/8"-14 Male JIC To O-Ring
	GR1466	-	O-Ring
25.	G6400-10-08	6	Connector W/O-Ring, 7/8"-14 Male JIC To 3/4"-16 O-Ring
	GR1037	-	O-Ring
26.	G6801-06-08	2	Elbow W/O-Ring, 90°, 9/16"-18 Male JIC To 3/4"-16 O-Ring
	GR1037	-	O-Ring
27.	GD16146	1	Cover

VALVE BLOCKS - LOCATED ON HITCH (SDS)

(FWD19c)

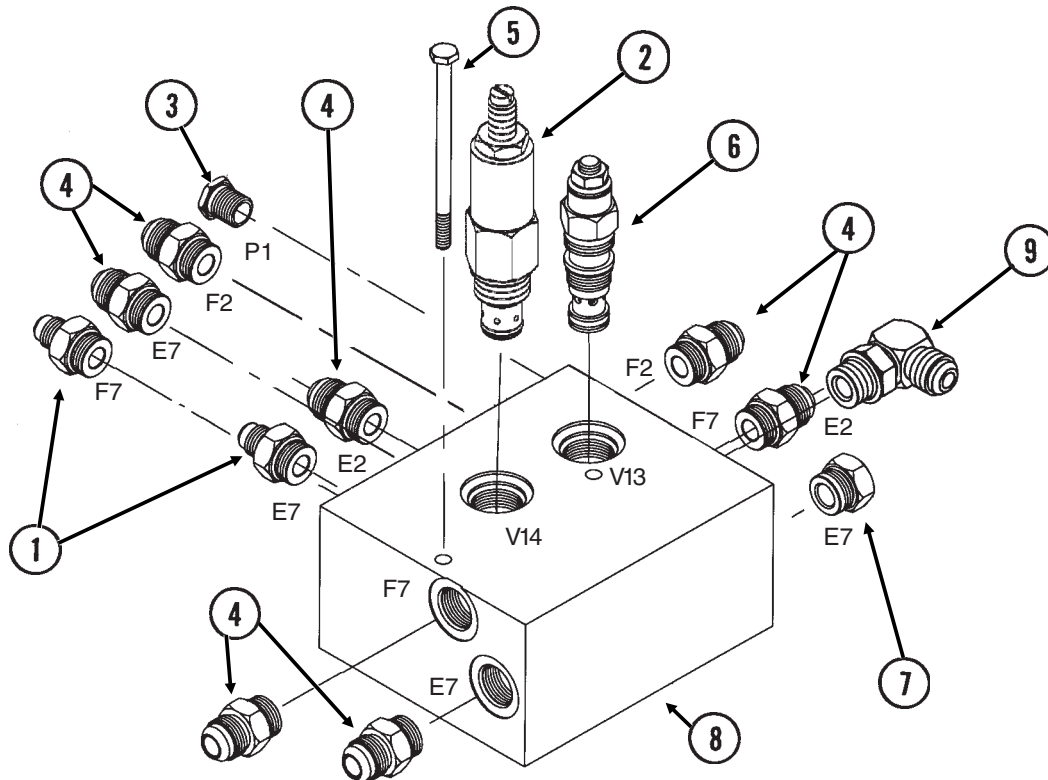


VALVE BLOCKS - LOCATED ON HITCH (SDS)

ITEM	PART NO.	QTY.	DESCRIPTION
1.	G6400-08	2	Connector W/O-Ring, 3/4"-16 Male JIC To O-Ring
	GR1037	-	O-Ring
2.	GA3413	2	Flow Control Valve
	GR0764	-	Seal Kit, Includes: (2) O-Rings, (1) BU Ring
3.	G6408-08	4	Plug W/O-Ring, 3/4"-16 O-Ring
	GR1037	-	O-Ring
4.	G11067	2	Phillips Pan Head Machine Screw, No. 8-32 x 3/4", Stainless Steel
	G10928	2	Hex Nut, No. 8-32, Stainless Steel
5.	G6408-H06-0	11	Hex Socket Head Plug W/O-Ring, 9/16"-18 O-Ring
	GR1045	-	O-Ring
6.	G6801-08	6	Elbow W/O-Ring, 90°, 3/4"-16 Male JIC To O-Ring
	GR1037	-	O-Ring
7.	G6801-LL-08	2	X-Long Elbow W/O-Ring, 90°, 3/4"-16 Male JIC To O-Ring
	GR1037	-	O-Ring
8.	GD14922	1	Block
9.	GD15187-01	2	Threaded Rod, 3/8"-16 x 13"
	G10203	2	Washer, 3/8" SAE
	G10108	2	Lock Nut, 3/8"-16
10.		-	See "Solenoid Valve (G1K275)", Page P130
11.		-	See "Solenoid Valve (G1K276)", Page P131
12.	GD15634	1	Mount
13.	G10002	1	Hex Head Cap Screw, 3/8"-16 x 3/4"
	G10622	1	Serrated Flange Nut, 3/8"-16
14.	GA3584	1	Ground Clamp
15.	GA9097	1	Terminal Strip W/Screws, No. 6, 14 Terminal
	GR1635	-	Screw, No. 6-32 x 1/4"
16.	G11067	2	Phillips Pan Head Machine Screw, No. 8-32 x 3/4", Stainless Steel
17.	G6600-10	2	Swivel Tee, 7/8"-14 JIC
18.	G2700-10	1	Bulkhead Tube Union, 7/8"-14 Male JIC
19.	G6400-L-10	3	Long Connector W/O-Ring, 7/8"-14 Male JIC To O-Ring
	GR1466	-	O-Ring
20.	G6402-10	3	Connector W/O-Ring, 7/8"-14 Female JIC To Male O-Ring
	GR1466	-	O-Ring
21.	G6408-10	1	Plug W/O-Ring, 7/8"-14 O-Ring
	GR1466	-	O-Ring
22.	G6500-10	8	Swivel Elbow, 90°, 7/8"-14 Male JIC To Female
23.	GD14923	1	Block
24.	G6400-10	2	Connector W/O-Ring, 7/8"-14 Male JIC To O-Ring
	GR1466	-	O-Ring
25.	G6400-10-08	6	Connector W/O-Ring, 7/8"-14 Male JIC To 3/4"-16 O-Ring
	GR1037	-	O-Ring
26.	G6801-06-08	2	Elbow W/O-Ring, 90°, 9/16"-18 Male JIC To 3/4"-16 O-Ring
	GR1037	-	O-Ring
27.	GD16146	1	Cover

VALVE BLOCK - LOCATED AT CENTER OF REAR H-FRAME

(A11008a)

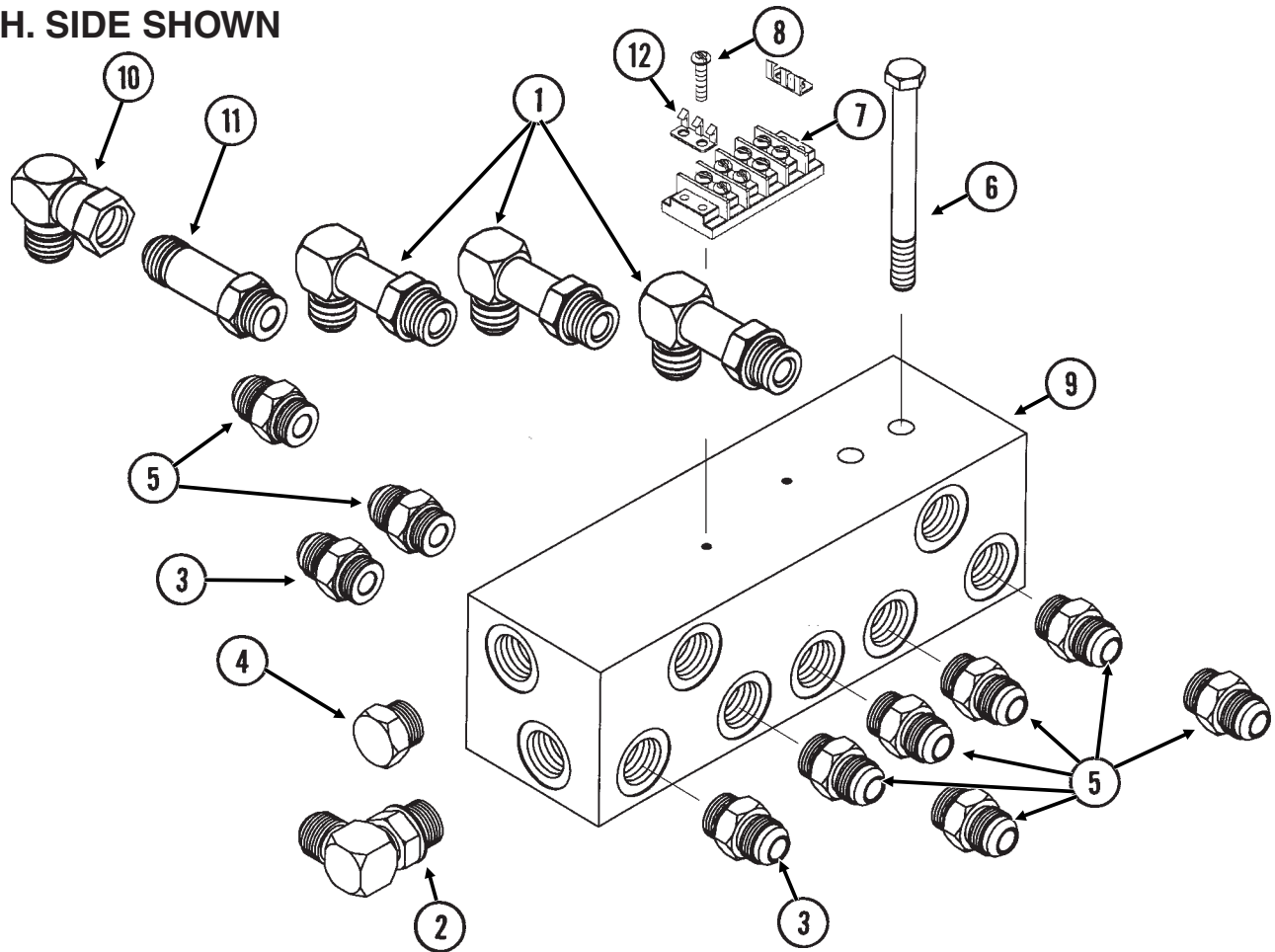


ITEM	PART NO.	QTY.	DESCRIPTION
1.	G6400-06-08 GR1037	2 -	Connector W/O-Ring, $\frac{9}{16}$ "-18 Male JIC To $\frac{3}{4}$ "-16 O-Ring O-Ring
2.	GA3407 GR0764	1 -	Pressure Relief Valve, 1000 PSI Seal Kit, Includes: (2) O-Rings, (1) BU Ring
3.	G6408-H06-0 GR1045	1 -	Hex Socket Head Plug W/O-Ring, $\frac{9}{16}$ "-18 O-Ring O-Ring
4.	G6400-08 GR1037	7 -	Connector W/O-Ring, $\frac{3}{4}$ "-16 Male JIC To O-Ring O-Ring
5.	G10943 G10227	2 2	Hex Head Cap Screw, $\frac{1}{4}$ "-20 x 4" Lock Washer, $\frac{1}{4}$ "
6.	GA10632	1	Counter Balance Valve
7.	G6408-08 GR1037	1 -	Plug W/O-Ring, $\frac{3}{4}$ "-16 O-Ring O-Ring
8.	GD16130	1	Block
9.	G6801-08 GR1037	1 -	Elbow W/O-Ring, 90°, $\frac{3}{4}$ "-16 Male JIC To O-Ring O-Ring
A.	GR1517	-	Seal Kit For Counter Balance Valve, Includes: (3) O-Rings, (3) BU Rings

JUNCTION BLOCK - LOCATED ON EACH WING, 24 ROW 30"

(A11171b)

L.H. SIDE SHOWN

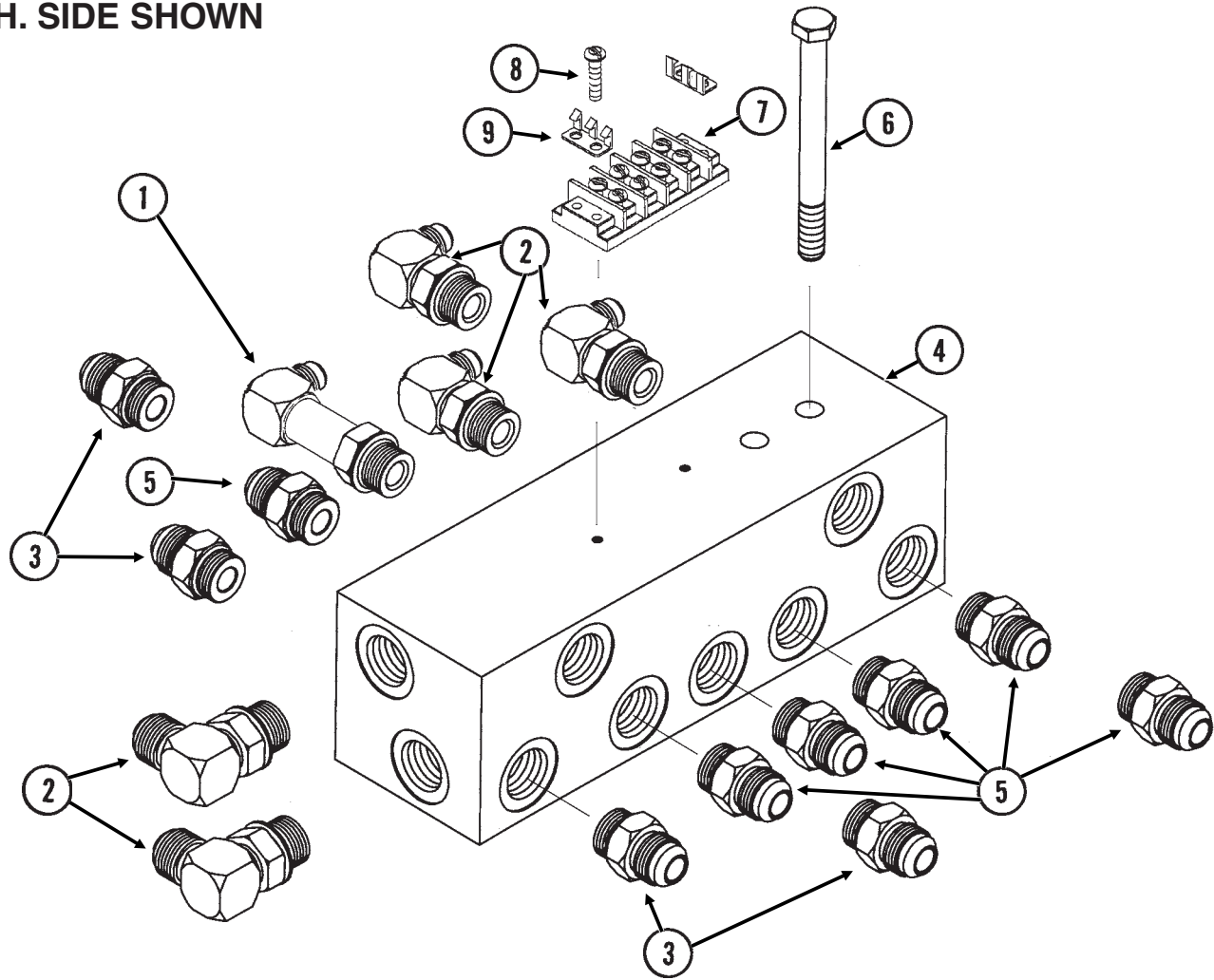


ITEM	PART NO.	QTY.	DESCRIPTION
		(Per Assy.)	
1.	G6801-L-08 GR1037	3 -	Long Elbow W/O-Ring, 90°, 3/4"-16 Male JIC To O-Ring
2.	G6801-08 GR1037	1 -	Elbow W/O-Ring, 90°, 3/4"-16 Male JIC To O-Ring
3.	G6400-10-08 GR1037	2 -	Connector W/O-Ring, 7/8"-14 Male JIC To 3/4"-16 O-Ring
4.	G6408-08 GR1037	1 -	Plug W/O-Ring, 3/4"-16 O-Ring
5.	G6400-08 GR1037	8 -	Connector W/O-Ring, 3/4"-16 Male JIC To O-Ring
6.	G10063 G10203 G10108	2 2 2	Hex Head Cap Screw, 3/8"-16 x 4" Washer, 3/8" SAE Lock Nut, 3/8"-16
7.	GA9510 GR1635	1 -	Terminal Strip W/Screws, No. 6, 4 Terminal Screw, No. 6-32 x 1/4"
8.	G11067	2	Phillips Pan Head Machine Screw, No. 8-32 x 3/4", Stainless Steel
9.	GD14925	1	Block
10.	G6500-08	1	Swivel Elbow, 90°, 3/4"-16 Male JIC To Female
11.	G6400-L-08 GR1037	1 -	Long Connector W/O-Ring, 3/4"-16 Male JIC To O-Ring
12.	GD18100	2	Clip

JUNCTION BLOCK - LOCATED ON EACH WING, 32 ROW 30"

(A11195a)

L.H. SIDE SHOWN

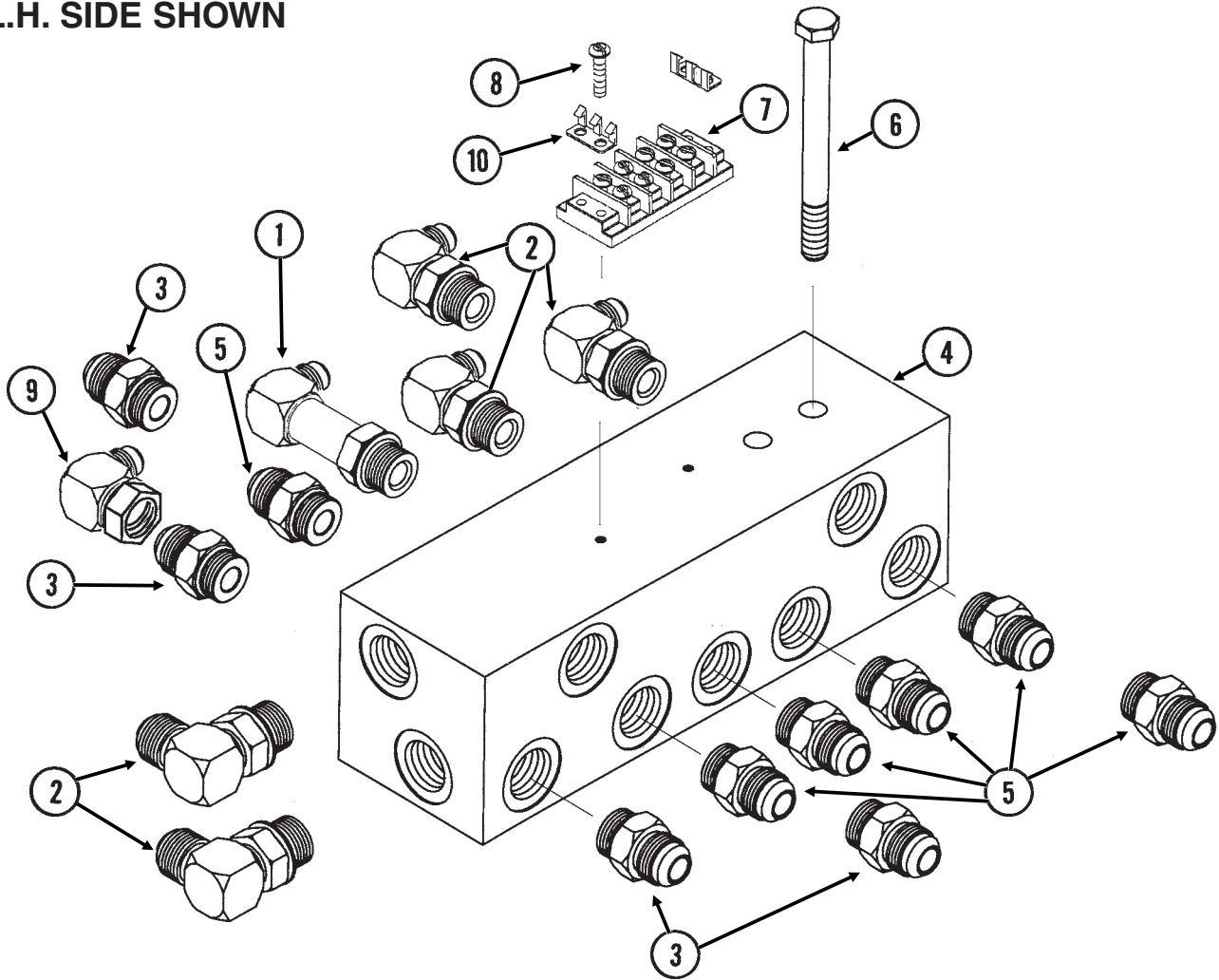


ITEM	PART NO.	QTY.	DESCRIPTION
		(Per Assy.)	
1.	G6801-L-08 GR1037	1 -	Long Elbow W/O-Ring, 90°, 3/4"-16 Male JIC To O-Ring O-Ring
2.	G6801-08 GR1037	5 -	Elbow W/O-Ring, 90°, 3/4"-16 Male JIC To O-Ring O-Ring
3.	G6400-10-08 GR1037	4 -	Connector W/O-Ring, 7/8"-14 Male JIC To 3/4"-16 O-Ring O-Ring
4.	GD14925	1	Block
5.	G6400-08 GR1037	6 -	Connector W/O-Ring, 3/4"-16 Male JIC To O-Ring O-Ring
6.	G10063 G10203 G10108	2 2 2	Hex Head Cap Screw, 3/8"-16 x 4" Washer, 3/8" SAE Lock Nut, 3/8"-16
7.	GA9510 GR1635	1 -	Terminal Strip W/Screws, No. 6, 4 Terminal Screw, No. 6-32 x 1/4"
8.	G11067	2	Phillips Pan Head Machine Screw, No. 8-32 x 3/4", Stainless Steel
9.	GD18100	2	Clip

JUNCTION BLOCK - LOCATED ON EACH WING, 36 ROW 30"

(A11197a)

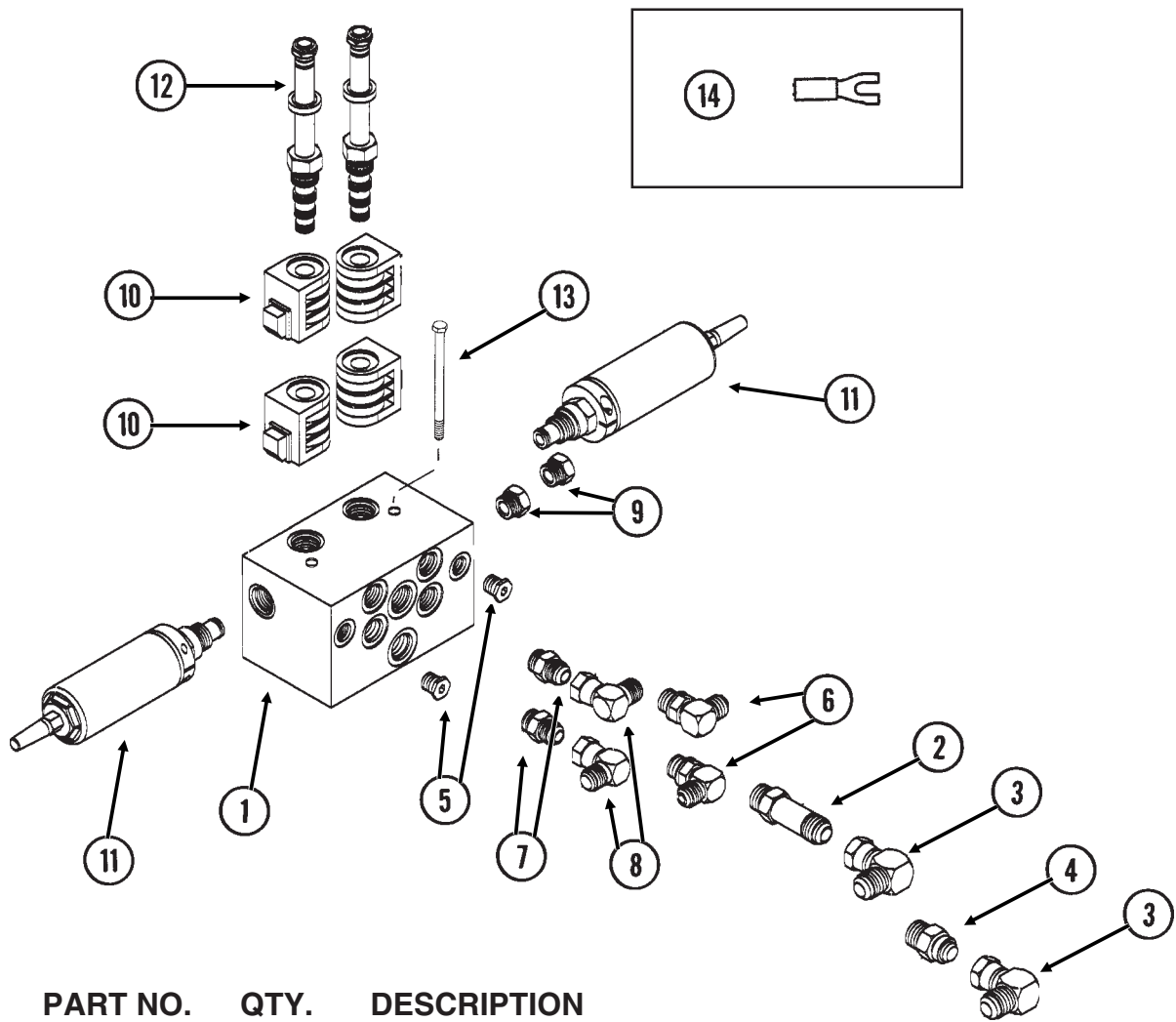
L.H. SIDE SHOWN



ITEM	PART NO.	QTY.	DESCRIPTION
		(Per Assy.)	
1.	G6801-LL-08 GR1037	1 -	X-Long Elbow W/O-Ring, 90°, 3/4"-16 Male JIC To O-Ring O-Ring
2.	G6801-08 GR1037	5 -	Elbow W/O-Ring, 90°, 3/4"-16 Male JIC To O-Ring O-Ring
3.	G6400-10-08 GR1037	4 -	Connector W/O-Ring, 7/8"-14 Male JIC To 3/4"-16 O-Ring O-Ring
4.	GD14925	1	Block
5.	G6400-08 GR1037	6 -	Connector W/O-Ring, 3/4"-16 Male JIC To O-Ring O-Ring
6.	G10063 G10203 G10108	2 2 2	Hex Head Cap Screw, 3/8"-16 x 4" Washer, 3/8" SAE Lock Nut, 3/8"-16
7.	GA9510 GR1635	1 -	Terminal Strip W/Screws, No. 6, 4 Terminal Screw, No. 6-32 x 1/4"
8.	G11067	2	Phillips Pan Head Machine Screw, No. 8-32 x 3/4", Stainless Steel
9.	G6500-10	1	Swivel Elbow, 90°, 7/8"-14 Male JIC To Female
10.	GD18100	2	Clip

SDS MANIFOLD BLOCK

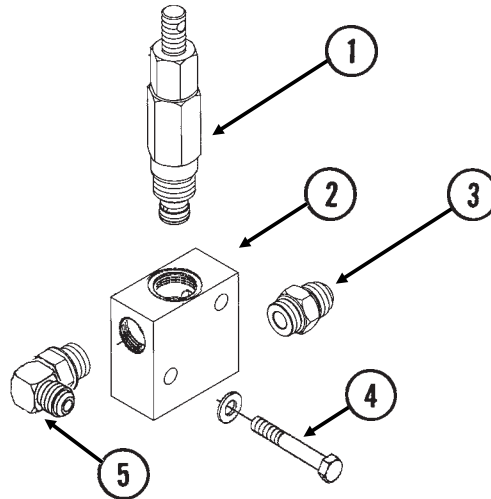
(FWD96/A9481)



ITEM	PART NO.	QTY.	DESCRIPTION
1.	GD16500	1	Block
2.	G6400-L-10	1	Long Connector W/O-Ring, 7/8"-14 Male JIC To O-Ring
	GR1466	-	O-Ring
3.	G6500-10	2	Swivel Elbow, 90°, 7/8"-14 Male JIC To Female
4.	GA11360	1	Check Valve
5.	G6408-H06-0	2	Hex Socket Head Plug W/O-Ring, 9/16"-18 O-Ring
	GR1045	-	O-Ring
6.	G6801-08	2	Elbow W/O-Ring, 90°, 3/4"-16 Male JIC To O-Ring
	GR1037	-	O-Ring
7.	G6400-08	2	Connector W/O-Ring, 3/4"-16 Male JIC To O-Ring
	GR1037	-	O-Ring
8.	G6500-08	2	Swivel Elbow, 90°, 3/4"-16 Male JIC To Female
9.	G6408-08	2	Plug W/O-Ring, 3/4"-16 O-Ring
	GR1037	-	O-Ring
10.	GR1748	4	Coil
11.	GA10987	2	Flow Control Cartridge
12.	GA11365	2	Spool Valve
13.	G11203	2	Hex Head Cap Screw, 1/4"-20 x 4 1/2"
	G10227	2	Lock Washer, 1/4"
14.	G10996	-	Fork Terminal
A.	GR1756	-	Seal Kit For Coil, Includes: (6) BU Rings, (4) O-Rings

VALVE BLOCK - LOCATED AT EACH ROW MARKER ON OUTER WING, 32 ROW 30" AND 36 ROW 30"

(FWD26a)

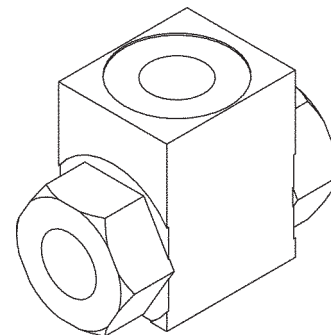


ITEM	PART NO.	QTY.	DESCRIPTION
1.	GA3407	-	Pressure Relief Valve, 1000 PSI
	GR1515	-	Seal Kit, Includes: (2) O-Rings, (1) BU Ring
2.	GD14528	1	Valve Block
3.	G6400-08	1	Connector W/O-Ring, 3/4"-16 Male JIC To O-Ring
	GR1037	-	O-Ring
4.	G10069	2	Hex Head Cap Screw, 5/16"-18 x 2 1/4"
	G10221	2	Washer, 5/16" SAE
	G10109	2	Lock Nut, 5/16"-18, Grade 8
5.	G6801-08	1	Elbow W/O-Ring, 90°, 3/4"-16 Male JIC To O-Ring
	GR1037	-	O-Ring

FLOW REGULATOR VALVE - LOCATED AT EACH ROW MARKER ON OUTER WING, 32 ROW 30" AND 36 ROW 30"

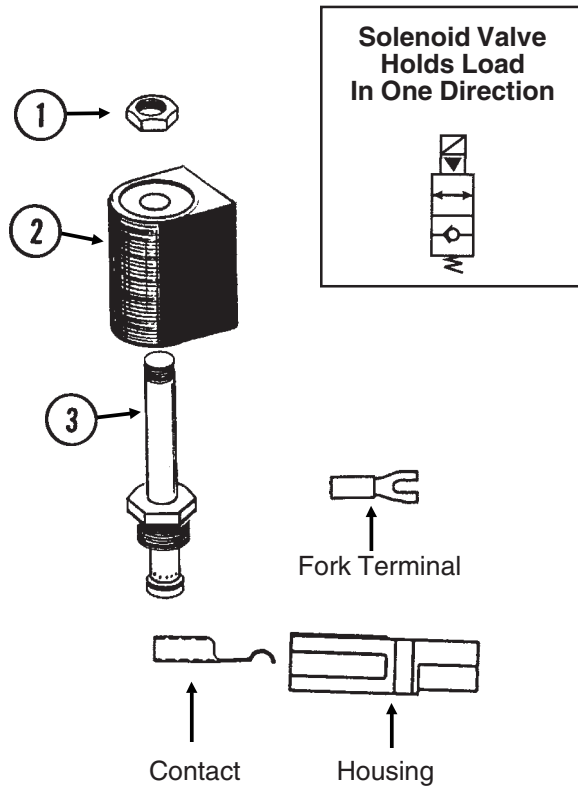
(A10645)

ITEM	PART NO.	QTY.	DESCRIPTION
1.	GA10645	-	Flow Regulator Valve



SOLENOID VALVE (G1K275)

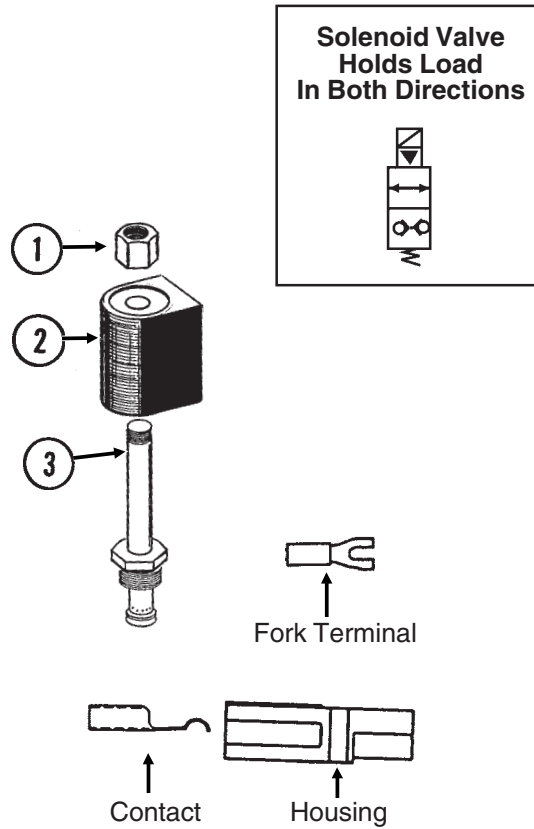
VVB019(TWL27c/TWL18/PLTR75c/A9481)



ITEM	PART NO.	QTY.	DESCRIPTION
1.	GR0761	1	Special Hex Nut, 1/2"-20
2.	G1K274	1	Coil Kit W/Contacts, Housings And Fork Terminals
	GD9529	2	Housing, Black
	GD9530	2	Contact
	G10996	2	Fork Terminal
3.	GR0763	1	Cartridge
A.	G1K275	-	Solenoid Valve Kit W/Solenoid Valve, Contacts, Housings And Fork Terminals
	GD9529	2	Housing, Black
	GD9530	2	Contact
	G10996	2	Fork Terminal
B.	GR0764	-	Seal Kit, Includes: (2) O-Rings, (1) BU Ring

SOLENOID VALVE (G1K276)

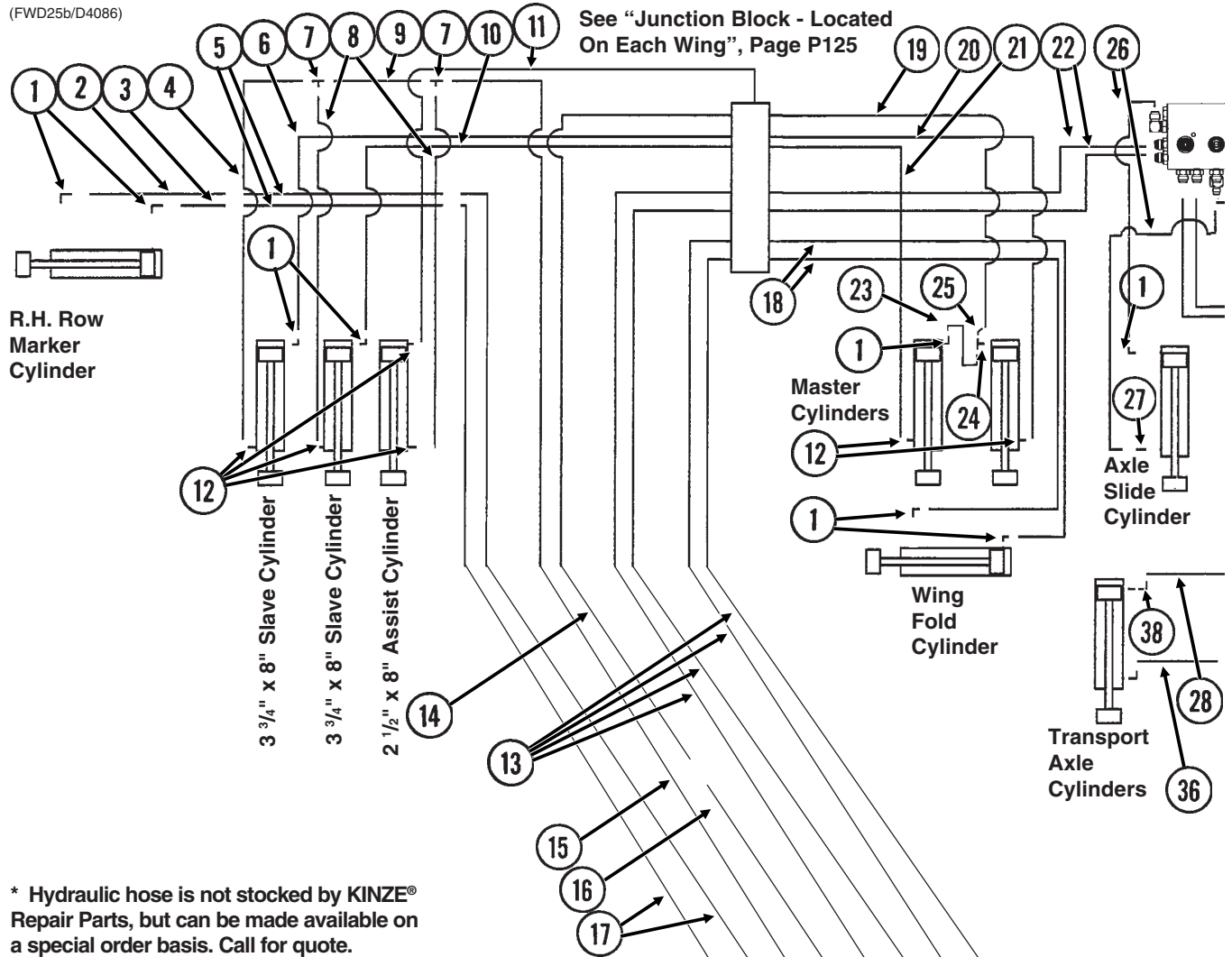
VVB019(FF25/TWL18/PLTR75c)



ITEM	PART NO.	QTY.	DESCRIPTION
1.	GR1322	1	Special Hex Nut, 1/2"-20
2.	G1K274	1	Coil Kit W/Contacts, Housings And Fork Terminals
	GD9529	2	Housing, Black
	GD9530	2	Contact
	G10996	2	Fork Terminal
3.	GR1321	1	Cartridge
A.	G1K276	-	Solenoid Valve Kit W/Solenoid Valve, Contacts, Housings And Fork Terminals
	GD9529	2	Housing, Black
	GD9530	2	Contact
	G10996	2	Fork Terminal
B.	GR0764	-	Seal Kit, Includes: (2) O-Rings, (1) BU Ring

HYDRAULIC HOSES AND FITTINGS, 24 ROW 30"

(FWD25b/D4086)



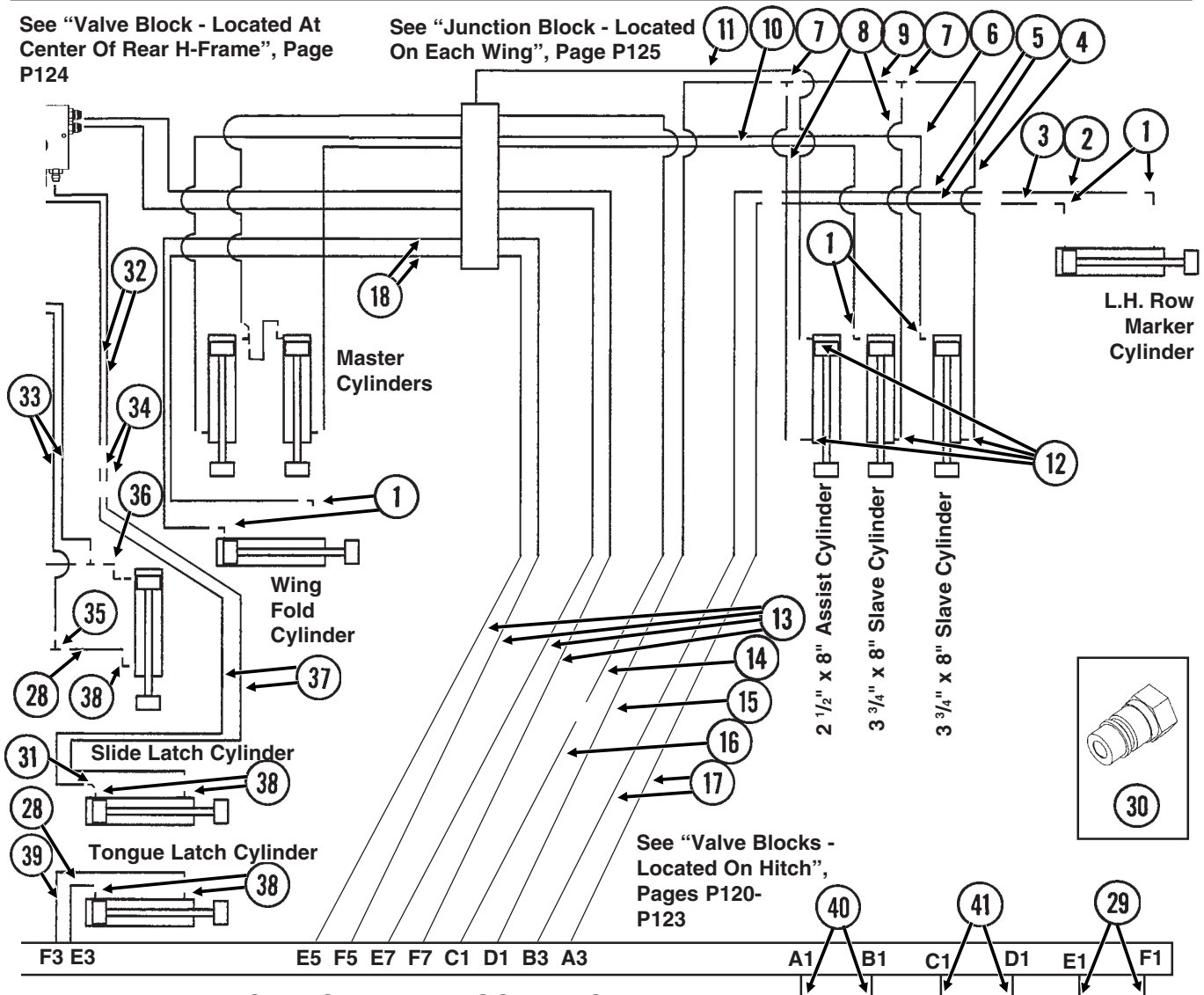
* Hydraulic hose is not stocked by KINZE® Repair Parts, but can be made available on a special order basis. Call for quote.

ITEM	PART NO.	QTY.	DESCRIPTION	A2	B2	D1	C1	E2	F2	F4	E4
1.	G6801-08 GR1037	15 -	Elbow W/O-Ring, 90°, 3/4"-16 Male JIC To O-Ring O-Ring								
2.	*A3220	2	Hose Assembly, 3/8" x 82"								
3.	*A3149	2	Hose Assembly, 3/8" x 46"								
4.	*A1020	2	Hose Assembly, 3/8" x 48"								
5.	*A3247	4	Hose Assembly, 3/8" x 156" (Male To Female)								
6.	*A1090	2	Hose Assembly, 3/8" x 162"								
7.	G2603-08	4	Tee, 3/4"-16 Male JIC								
8.	*A1079	4	Hose Assembly, 3/8" x 24"								
9.	*A1086	2	Hose Assembly, 3/8" x 28"								
10.	*A3249	2	Hose Assembly, 3/8" x 132"								
11.	*A3136	2	Hose Assembly, 3/8" x 100"								
12.	G6400-08 GR1037	8 -	Connector W/O-Ring, 3/4"-16 Male JIC To O-Ring O-Ring								
13.	*A3268	8	Hose Assembly, 3/8" x 324"								
14.	*A8278	2	Hose Assembly, 1/2" x 312" (Elbow End)								
15.	*A8254	2	Hose Assembly, 1/2" x 400" (Elbow End)								
16.	*A8277	2	Hose Assembly, 1/2" x 12" (Elbow Ends)								
17.	*A3269	4	Hose Assembly, 3/8" x 340"								
18.	*A3206	4	Hose Assembly, 3/8" x 184"								
19.	*A8237	2	Hose Assembly, 1/2" x 202"								
20.	*A3161	2	Hose Assembly, 3/8" x 210"								
21.	*A3139	2	Hose Assembly, 3/8" x 254"								
22.	*A3154	4	Hose Assembly, 3/8" x 196"								
23.	*A3158	2	Hose Assembly, 3/8" x 46"								

HYDRAULIC HOSES AND FITTINGS, 24 ROW 30"

See "Valve Block - Located At Center Of Rear H-Frame", Page P124

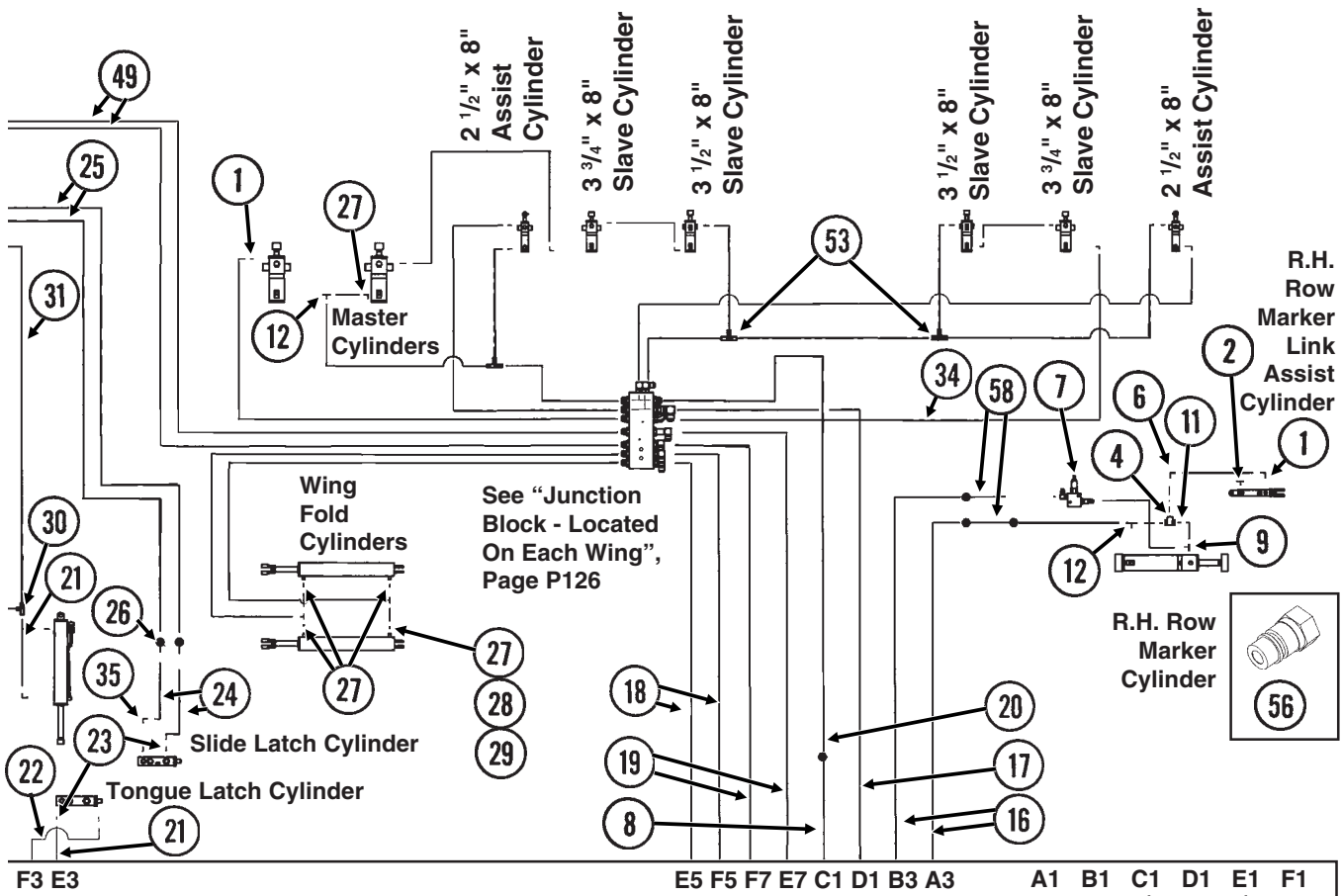
See "Junction Block - Located On Each Wing", Page P125



F3 E3 E5 F5 E7 F7 C1 D1 B3 A3 A1 B1 C1 D1 E1 F1

ITEM	PART NO.	QTY.	DESCRIPTION
24.	G6803-08 GR1037	2 -	Tee, 3/4"-16 Male NPT To O-Ring O-Ring
25.	G6502-08	2	Swivel Elbow, 45°, 3/4"-16 Male JIC To Female
26.	*A3248	2	Hose Assembly, 3/8" x 48" (Elbow End)
27.		-	See "Axle Slide Cylinder", Page P115
28.	*A1192	3	Hose Assembly, 1/4" x 20"
29.	*A3236	2	Hose Assembly, 3/8" x 72"
30.	GD4086	6	ISO Coupler
31.	G6502-06	1	Swivel Elbow, 45°, 9/16"-18 Male JIC To Female
32.	*A1102	2	Hose Assembly, 1/4" x 95"
33.	*A3257	2	Hose Assembly, 3/8" x 86"
34.	G2700-06-06 G306-08 G306-06	2 2 2	Bulkhead Tube Union, 9/16"-18 Male JIC Lock Nut, 3/4"-16 Lock Nut, 9/16"-18
35.	G2704-06	2	Bulkhead Tee, 9/16"-18 JIC
36.	*A7614	2	Hose Assembly, 1/4" x 17"
37.	*A1132	2	Hose Assembly, 1/4" x 44"
38.	G6400-06-08 GR1037	8 -	Connector W/O-Ring, 9/16"-18 Male JIC To 3/4"-16 O-Ring O-Ring
39.	*A7613	1	Hose Assembly, 1/4" x 44" (Elbow End)
40.	*A8230	2	Hose Assembly, 1/2" x 84" (Elbow End)
41.	*A8231	2	Hose Assembly, 1/2" x 72"

HYDRAULIC HOSES AND FITTINGS, 32 ROW 30"

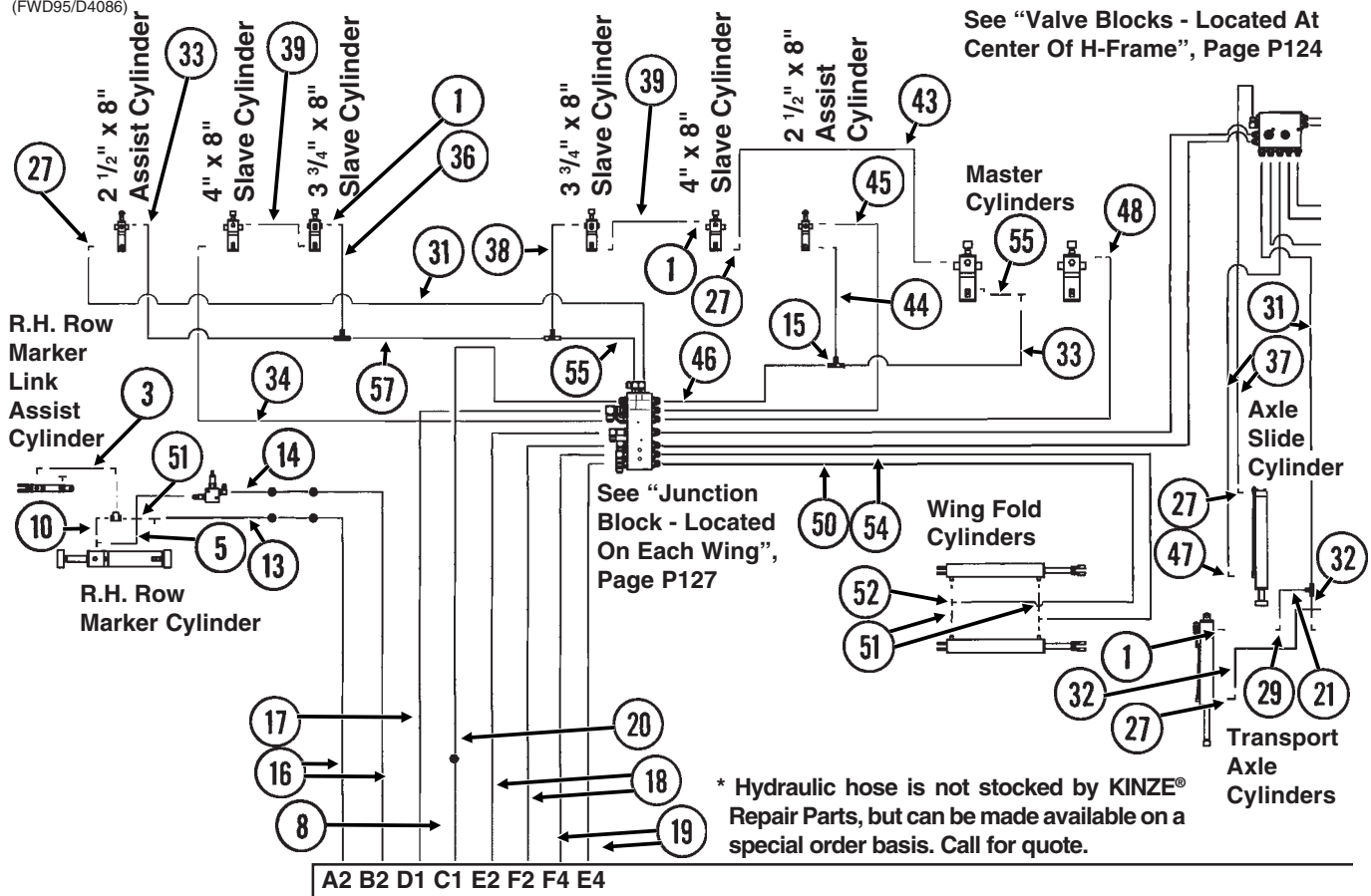


See "Valve Blocks - Located On Hitch", Pages P120-P123

ITEM	PART NO.	QTY.	DESCRIPTION
28.	G6502-08	4	Swivel Elbow, 45°, 3/4"-16 Male JIC To Female
29.	G6500-08	4	Swivel Elbow, 90°, 3/4"-16 Male JIC To Female
30.	G2704-06	2	Bulkhead Tee, 9/16"-18 JIC
31.	*A3259	2	Hose Assembly, 3/8" x 122"
32.	*A7614	2	Hose Assembly, 1/4" x 17"
33.	*A1039	2	Hose Assembly, 3/8" x 76"
34.	*A1057	2	Hose Assembly, 3/8" x 216"
35.	G6502-06	1	Swivel Elbow, 45°, 9/16"-18 Male JIC To Female
36.	*A1082	2	Hose Assembly, 3/8" x 19"
37.	*A3225	2	Hose Assembly, 3/8" x 56" (Elbow End)
38.	*A1098	2	Hose Assembly, 3/8" x 26"
39.	*A1055	4	Hose Assembly, 3/8" x 66"
40.	*A8230	2	Hose Assembly, 1/2" x 84" (Elbow End)
41.	*A8231	2	Hose Assembly, 1/2" x 72"
42.	*A3236	2	Hose Assembly, 3/8" x 72"
43.	*A3228	2	Hose Assembly, 3/8" x 306"
44.	*A3223	2	Hose Assembly, 3/8" x 24"
45.	*A3224	2	Hose Assembly, 3/8" x 28"
46.	*A8229	2	Hose Assembly, 1/2" x 15"
47.	-	-	See "Axle Slide Cylinder", Page P116
48.	*A1031	2	Hose Assembly, 3/8" x 234"
49.	*A1033	4	Hose Assembly, 3/8" x 250"
50.	*A3154	2	Hose Assembly, 3/8" x 196"
51.	*A3153	6	Hose Assembly, 3/8" x 22"
52.	G6602-08	2	Swivel Tee, 3/4"-16 JIC
53.	G2603-08	4	Tee, 3/4"-16 Male JIC
54.	*A3163	2	Hose Assembly, 3/8" x 225"
55.	*A1018	4	Hose Assembly, 3/8" x 40"
56.	GD4086	-	ISO Coupler
57.	*A3199	2	Hose Assembly, 3/8" x 132"
58.	*A8225	4	Hose Assembly, 1/2" x 209"
59.	*A1029	2	Hose Assembly, 3/8" x 190"
60.	*A8226	2	Hose Assembly, 1/2" x 208"
61.	*A3260	2	Hose Assembly, 3/8" x 22"

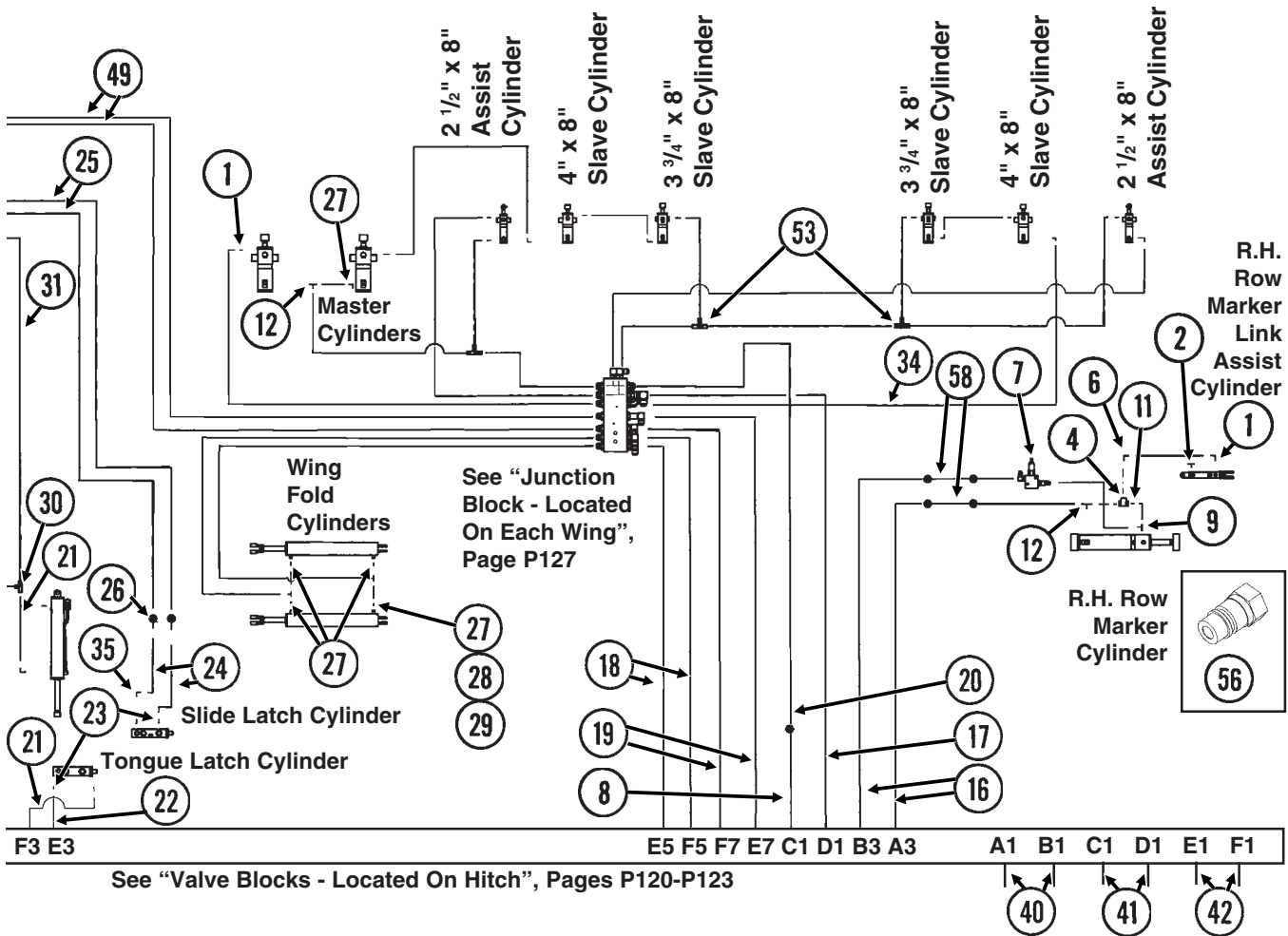
HYDRAULIC HOSES AND FITTINGS, 36 ROW 30"

(FWD95/D4086)



ITEM	PART NO.	QTY.	DESCRIPTION
1.	G6400-08 GR1037	26 -	Connector W/O-Ring, 3/4"-16 Male JIC To O-Ring O-Ring
2.	GA5531 GR1037	2 -	Breather Plug W/O-Ring, 3/4"-16 O-Ring
3.	*A1020	2	Hose Assembly, 3/8" x 48"
4.		-	See "Flow Regulator Valve", Page P129
5.	*A8242	2	Hose Assembly, 1/2" x 67"
6.	G6801-08-06 GR1045	2 -	Elbow W/O-Ring, 90°, 3/4"-16 Male JIC To 9/16"-18 O-Ring O-Ring
7.		-	See "Valve Block - Located At Each Row Marker", Page P129
8.	*A8277	2	Hose Assembly, 1/2" x 12"
9.	G6804-08 GR1037	2 -	Adjustable Tee, 3/4"-16 Male JIC To O-Ring O-Ring
10.	*A3258	2	Hose Assembly, 3/8" x 9" (Elbow End)
11.	G6400-08-06 GR1045	6 -	Connector W/O-Ring, 3/4"-16 Male JIC To 9/16"-18 O-Ring O-Ring
12.	G6803-08 GR1037	2 -	Tee, 3/4"-16 Male NPT To O-Ring O-Ring
13.	*A8243	2	Hose Assembly, 1/2" x 76"
14.	*A8244	2	Hose Assembly, 1/2" x 36"
15.	G2603-10	2	Tee, 7/8"-14 Male JIC
16.	*A8258	4	Hose Assembly, 1/2" x 454"
17.	*A8256	2	Hose Assembly, 1/2" x 436" (Elbow Ends)
18.	*A3270	4	Hose Assembly, 3/8" x 431"
19.	*A3272	4	Hose Assembly, 3/8" x 426"
20.	*A8291	2	Hose Assembly, 1/2" x 424" (Elbow End)
21.	*A1192	3	Hose Assembly, 1/4" x 20"
22.	*A7612	1	Hose Assembly, 1/4" x 52" (Elbow End)
23.	G6400-06-08 GR1037	4 -	Connector W/O-Ring, 9/16"-18 Male JIC To 3/4"-16 O-Ring O-Ring
24.	*A1132	2	Hose Assembly, 1/4" x 44"
25.	*A7615	2	Hose Assembly, 1/4" x 122"
26.	G2700-06-06	2	Bulkhead Tube Union, 9/16"-18 Male JIC
27.	G6801-08 GR1037	16 -	Elbow W/O-Ring, 90°, 3/4"-16 Male JIC To O-Ring O-Ring

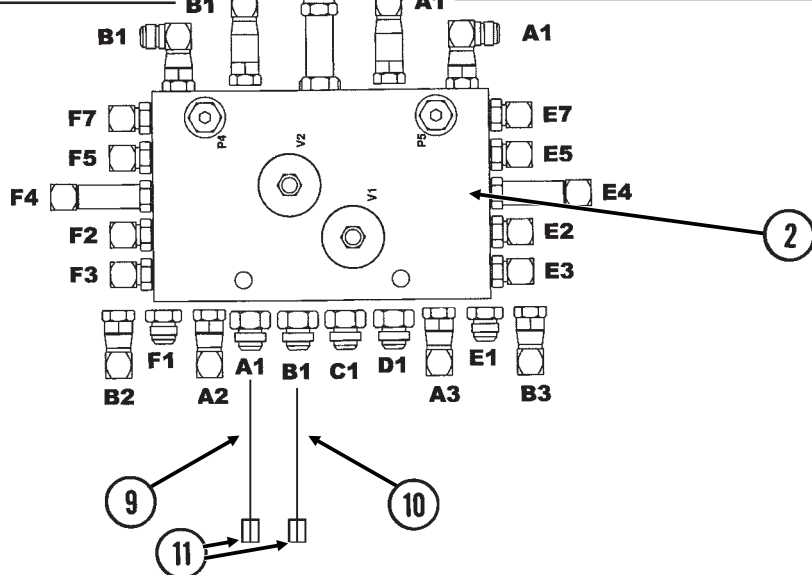
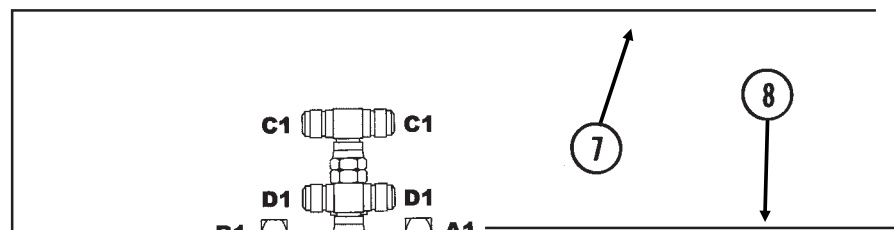
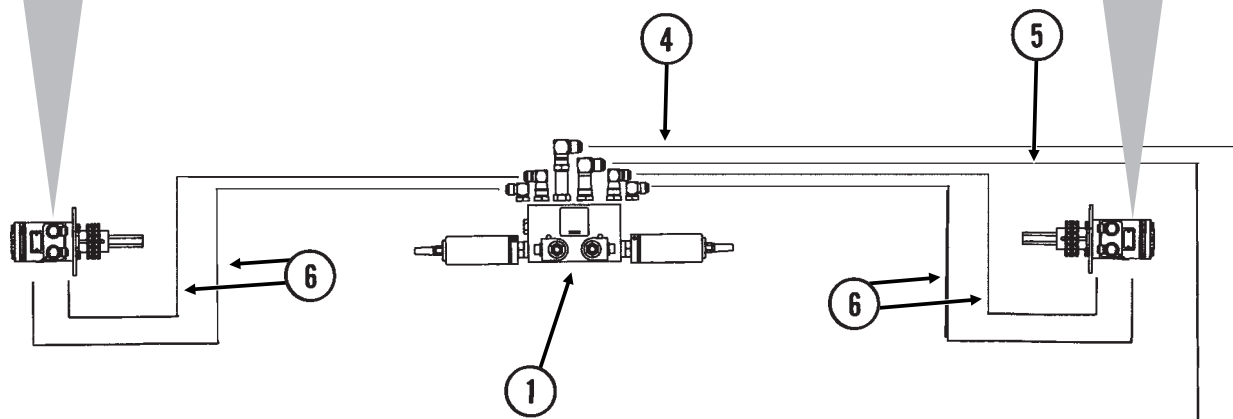
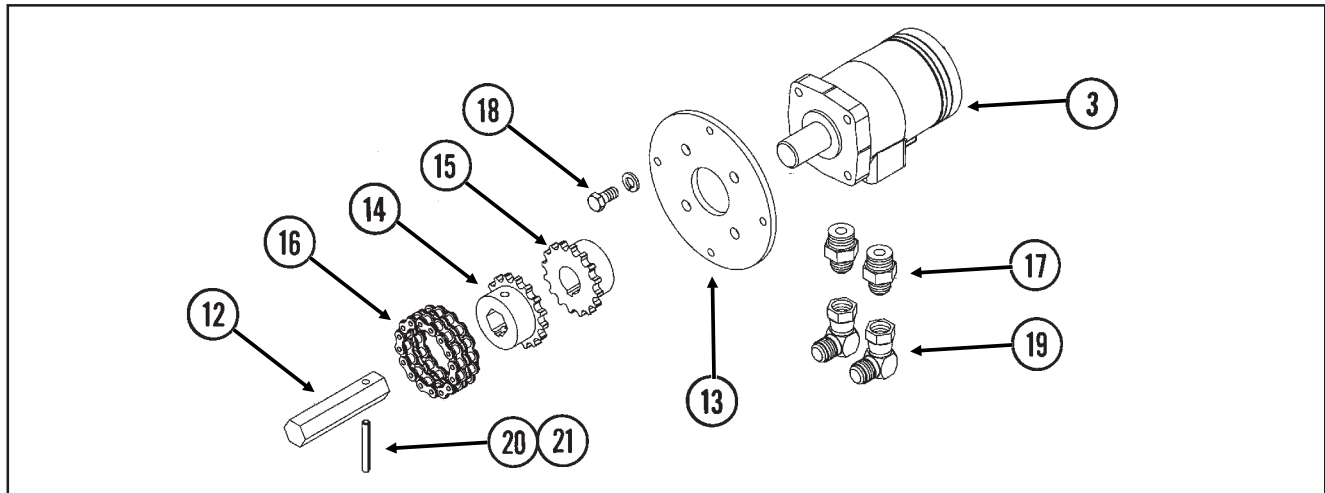
HYDRAULIC HOSES AND FITTINGS, 36 ROW 30"



ITEM	PART NO.	QTY.	DESCRIPTION
28.	G6502-08	4	Swivel Elbow, 45°, 3/4"-16 Male JIC To Female
29.	G6500-08	4	Swivel Elbow, 90°, 3/4"-16 Male JIC To Female
30.	G2704-06	2	Bulkhead Tee, 9/16"-18 JIC
31.	*A3259	4	Hose Assembly, 3/8" x 122"
32.	*A7614	2	Hose Assembly, 1/4" x 17"
33.	*A1039	4	Hose Assembly, 3/8" x 76"
34.	*A8226	2	Hose Assembly, 1/2" x 208"
35.	G6502-06	1	Swivel Elbow, 45°, 9/16"-18 Male JIC To Female
36.	*A1082	2	Hose Assembly, 3/8" x 19"
37.	*A3225	2	Hose Assembly, 3/8" x 56" (Elbow End)
38.	*A1098	2	Hose Assembly, 3/8" x 26"
39.	*A1055	4	Hose Assembly, 3/8" x 66"
40.	*A8230	2	Hose Assembly, 1/2" x 84" (Elbow End)
41.	*A8231	2	Hose Assembly, 1/2" x 72"
42.	*A3236	2	Hose Assembly, 3/8" x 72"
43.	*A3228	2	Hose Assembly, 3/8" x 306"
44.	*A3223	2	Hose Assembly, 3/8" x 24"
45.	*A3242	2	Hose Assembly, 3/8" x 43"
46.	*A8202	2	Hose Assembly, 1/2" x 17"
47.	-	-	See "Axle Slide Cylinder", Page P116
48.	*A1089	2	Hose Assembly, 3/8" x 240"
49.	*A3139	4	Hose Assembly, 3/8" x 254"
50.	*A3111	2	Hose Assembly, 3/8" x 200"
51.	*A3153	6	Hose Assembly, 3/8" x 22"
52.	G6602-08	2	Swivel Tee, 3/4"-16 JIC
53.	G2603-08	4	Tee, 3/4"-16 Male JIC
54.	*A3265	2	Hose Assembly, 3/8" x 164"
55.	*A1022	4	Hose Assembly, 3/8" x 60"
56.	GD4086	-	ISO Coupler
57.	*A1057	2	Hose Assembly, 3/8" x 216"
58.	*A8234	4	Hose Assembly, 1/2" x 254"

SDS HYDRAULIC SYSTEM

(FWD105.FWD101)



SDS HYDRAULIC SYSTEM

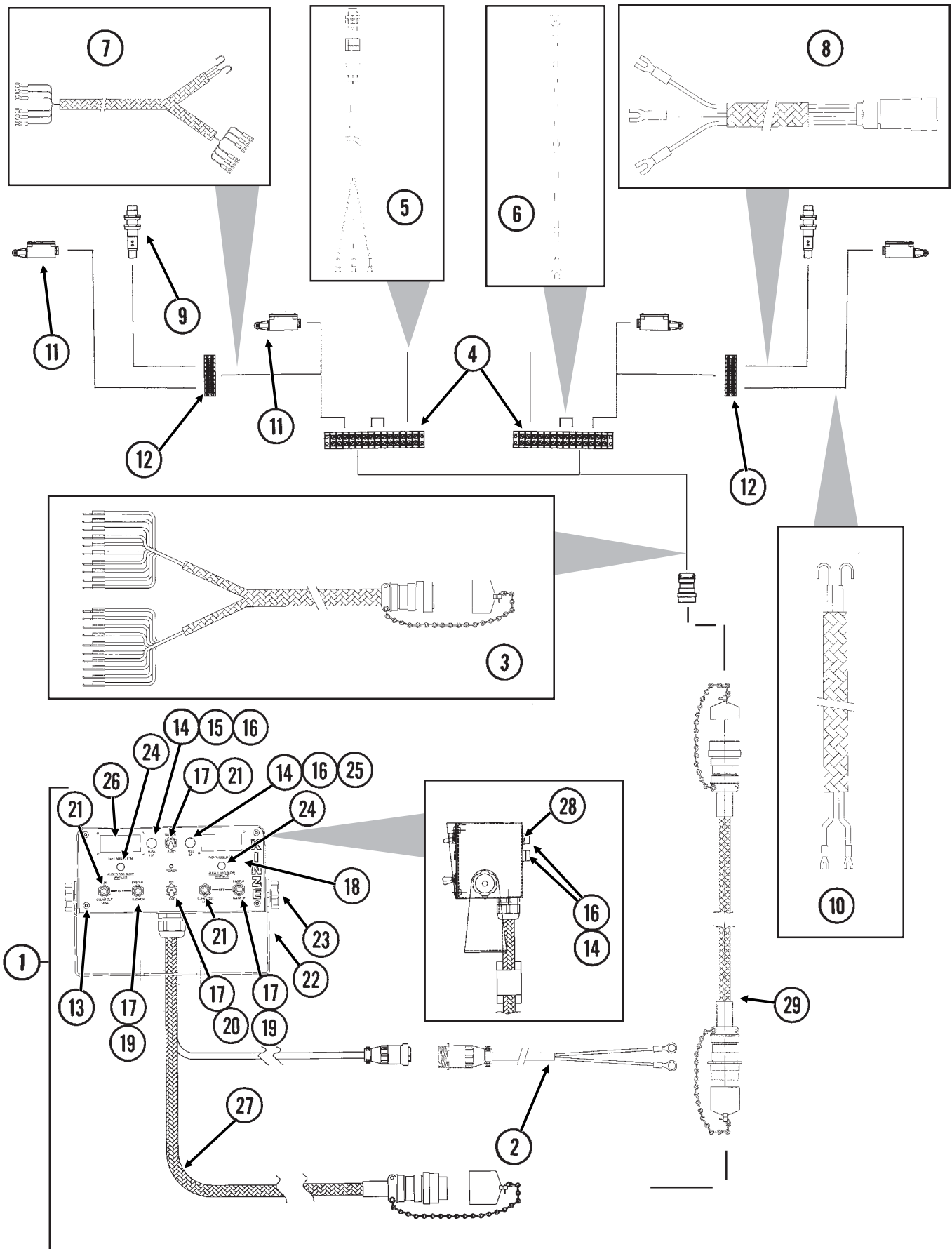
ITEM	PART NO.	QTY.	DESCRIPTION
1.		-	See "SDS Manifold Block", Page P128
2.		-	See "Valve Blocks - Located On Hitch (SDS)", Pages P122 And P123
3.	GA11774	2	Hydraulic Motor
4.	*A11401	1	Hose Assembly, $\frac{5}{8}$ " x 144", 24 Row 30"
	*A11415	-	Hose Assembly, $\frac{5}{8}$ " x 234", 36 Row 30"
5.	*A8276	1	Hose Assembly, $\frac{1}{2}$ " x 144", 24 Row 30"
	*A8289	-	Hose Assembly, $\frac{1}{2}$ " x 234", 36 Row 30"
6.	*A3159	4	Hose Assembly, $\frac{3}{8}$ " x 97"
7.	*A11402	1	Hose Assembly, $\frac{5}{8}$ " x 420", 24 Row 30"
	*A11416	-	Hose Assembly, $\frac{5}{8}$ " x 480", 36 Row 30"
8.	*A8275	1	Hose Assembly, $\frac{1}{2}$ " x 420", 24 Row 30"
	*A8288	-	Hose Assembly, $\frac{1}{2}$ " x 480", 36 Row 30"
9.	*A8231	1	Hose Assembly, $\frac{1}{2}$ " x 72"
10.	*A11400	1	Hose Assembly, $\frac{5}{8}$ " x 72"
11.	GD4086	2	ISO Coupler
12.	GD16538	1	Shaft
13.	GD16537	1	Plate
14.	GD16489	1	Coupler, $\frac{7}{8}$ " Hex
15.	GD16490	1	Coupler, 1" I.D.
16.	G3317-16	1	Chain, Double No. 40, 16 Pitches
	GR1790	-	Connector Link, Double No. 40
17.	G10002	4	Hex Head Cap Screw, $\frac{3}{8}$ "-16 x $\frac{3}{4}$ "
	G10229	4	Lock Washer, $\frac{3}{8}$ "
18.	G6400-08-10	2	Connector W/O-Ring, $\frac{3}{4}$ "-16 Male JIC To $\frac{7}{8}$ "-14 O-Ring
	GR1466	-	O-Ring
19.	G6500-08	2	Swivel Elbow, 90°, $\frac{3}{4}$ "-16 Male JIC To Female
20.	G10606	1	Spring Pin, $\frac{1}{4}$ " x 2"
21.	GD13524-01	1	Lock Wire, 10", Stainless Steel

ELECTRICAL COMPONENTS (Planter Control Console)

ITEM	PART NO.	QTY.	DESCRIPTION
7.	GA6108	1	Connector W/Cable Clamp, 23 Socket Capacity
8.	GD8740	-	Socket Contact, No. 14
9.	GD8741	-	Pin Contact, No. 14
10.	GD8739	-	Sealing Plug, No. 12
11.	GD11089	-	Sealing Plug
12.	GD6291	-	Insulated Clamp, $\frac{3}{8}$ "
13.	GA7399	-	Harness Extension W/Dust Caps, 180"
14.	G1K248	-	3-Pin Female Connector Kit (Black), Includes: (3) 3-Pin Female Housings, (9) Pin Contacts, (9) Seals
15.	G1K252	-	3-Pin Male Connector Kit (Black), Includes: (3) 3-Pin Male Housings, (9) Socket Contacts, (9) Seals
16.	G1K396	-	6-Pin Female Connector Kit (Black), Includes: (3) 6-Pin Female Housings, (18) Pin Contacts, (18) Seals
17.	G1K395	-	6-Pin Male Connector Kit (Black), Includes: (3) 6-Pin Male Housings, (18) Socket Contacts, (18) Seals
18.	GA9481	-	Jumper Wire W/Fork Terminal, 13"
	G10996	-	Fork Terminal
19.	GA8047	-	Dust Plug (Black)
20.	GA10310	1	Wiring Harness, 254", 24 Row 30"
	GA10321	1	Wiring Harness, 327", 32 Row 30"
	GA10329	1	Wiring Harness, 359", 36 Row 30"
21.	GA10309	1	Wiring Harness, 392", 24 Row 30"
	GA10320	1	Wiring Harness, 465", 32 Row 30"
	GA10328	1	Wiring Harness, 497", 36 Row 30"
22.	GA10308	1	Wiring Harness W/Dust Cap, 96"
23.	G7848X	-	Backlit Control Console Assembly W/Mounting Brackets, Short Harness W/Dust Cap And Power Cable
24.	G1K267	-	Power Lead Adapter Connector Kit, Includes: (1) 3-Pin Connector, (1) Cable Clamp, (3) Male Terminal Pins
25.	G1K268	-	Console Cable Connector Kit, Includes: (1) 3-Pin Connector, (1) Cable Clamp, (1) Lock Ring, (3) Female Terminal Pins
26.	GA7856	1	Power Lead Adapter
27.	GA10307	1	Wiring Harness W/Dust Cap And Power Cable
28.	GA10194	4	Indicator Light, Red
29.	GA2612	5	Fuse Holder W/Spade, 1 $\frac{33}{50}$ "
30.	GD2829	1	Fuse, 15 Amp, Type AGC
31.	GD10243	4	Fuse, MDL 10 Amp Delay Action
32.	GR1363	8	Hex Face Nut, $\frac{15}{32}$ "-32
	GR1364	8	Internal Tooth Lock Washer, $\frac{15}{32}$ "
33.	GA10686	1	Cover Plate
34.	GR1292	4	Pan Head Screw, No. 8-32 x $\frac{1}{2}$ "
35.	GD3860	5	O-Ring (If Applicable)
36.	GA2528	1	Switch, 3 Position Toggle, On-Off-On
37.	GA6978	2	Switch, 3 Position Toggle, Momentary On-Off-Momentary On
38.	GA6977	5	Switch, 2 Position Toggle, On-Off
39.	GA8731	1	Switch, Push Button W/Transformer
40.	GD9896	1	Mounting Bracket
41.	GA6975	2	Knob
	G10211	4	Washer, $\frac{1}{4}$ " SAE
	GR1290	2	Cage Nut, $\frac{1}{4}$ "-20
42.	GA10206	1	Indicator Light, Green
43.	GA10682	2	Jumper Wire, 3", Gray
44.	GA10683	1	Jumper Wire, 5", White
45.	GA10684	1	Jumper Wire, 3", Red
46.	GA10685	4	Jumper Wire, 5", White

ELECTRICAL COMPONENTS (SDS Control Console)

(A11377/A9954/A11502/A11906/FWD102/A11376/A11378/A11348a/A11736)

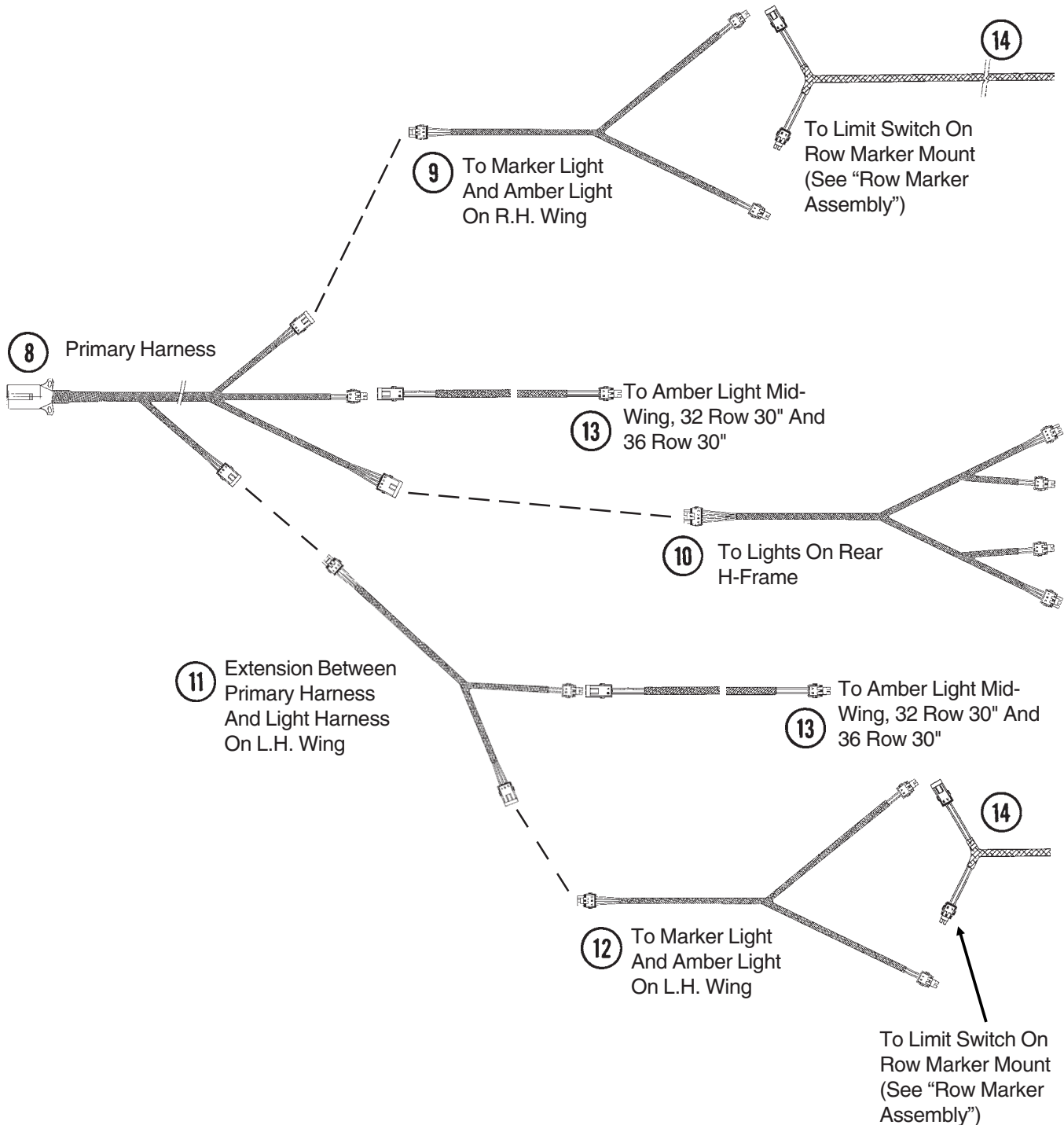
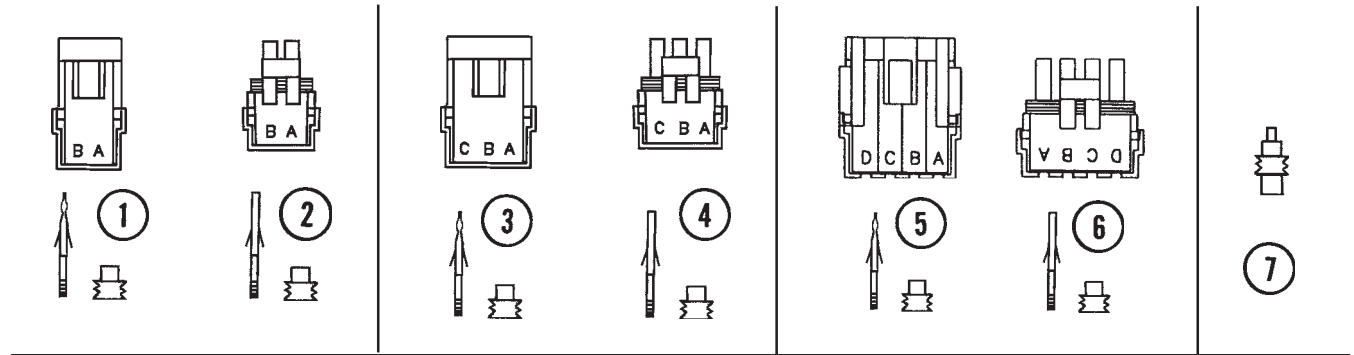


ELECTRICAL COMPONENTS (SDS Control Console)

ITEM	PART NO.	QTY.	DESCRIPTION
1.	GA11348	1	SDS Control Console Assembly
2.	GA7856	1	Power Lead Adapter
3.	GA11376	1	Wiring Harness, 648", 24 Row 30"
	GA11506	-	Wiring Harness, 756", 32 Row 30" And 36 Row 30"
4.	GA9097	2	Terminal Strip W/Screws, No. 6, 14 Terminal
	GR1635	-	Screw, No. 6-32 x 1/4"
5.	GA9954	2	Speed Sensor Assembly
6.	GA11502	2	Voltage Stabilizer, 8 1/2"
7.	GA11377	2	Wiring Harness, 360", 24 Row 30"
	GA11507	-	Wiring Harness, 576", 32 Row 30" And 36 Row 30"
8.	GA11906	2	4-Pin Connector, 48"
9.	GA11387	2	Proximity Sensor
10.	GA11378	2	Wiring Harness, 48"
11.	GA11066	4	Limit Switch
12.	GA9098	2	Terminal Strip W/Screws, No. 6, 8 Terminal
	GR1635	-	Screw, No. 6-32 x 1/4"
13.	GR1292	4	Pan Head Screw, No. 8-32 x 1/2"
14.	GA2612	3	Fuse Holder W/Spade, 1 33/50"
15.	GD2829	1	Fuse, 15 Amp, Type AGC
16.	GD3860	3	O-Ring
17.	GR1363	4	Hex Face Nut, 15/32"-32
	GR1364	4	Internal Tooth Lock Washer, 15/32"
18.	GA12171	1	Cover Plate
19.	GA6978	2	Switch, 3 Position Toggle, Momentary On-Off-Momentary On
20.	GA6977	1	Switch, 2 Position Toggle, On-Off
21.	GA12173	2	Switch, 2 Position Toggle, Momentary-On
22.	GD14640	1	Mounting Bracket
23.	GA6975	2	Knob
	G10211	4	Washer, 1/4" SAE
	GR1290	2	Cage Nut, 1/4"-20
24.	GA10195	2	Indicator Light, Amber
25.	GA12174	1	Switch, 2 Position Toggle, Momentary-On
26.	GA9965	2	Tachometer
27.	GA12180	1	Wiring Harness W/Dust Cap And Power Cable
28.	G11112	1	Plug, 3/8"
29.	GA11736	-	Harness Extension W/Dust Caps, 180"

ELECTRICAL COMPONENTS (Lights)

(MTR27v/MTR27a/ELC27b/MTR27a/A10315/A10318/A10317/A10316/A10452/A11042)

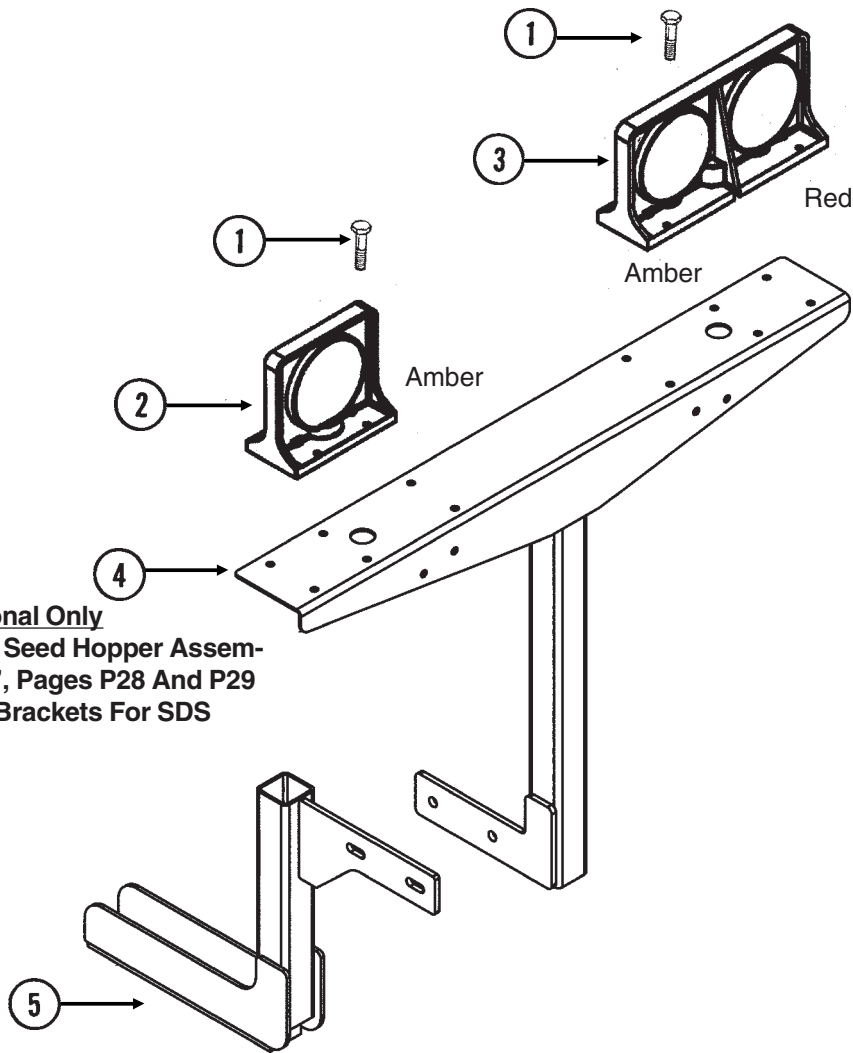


ELECTRICAL COMPONENTS (Lights)

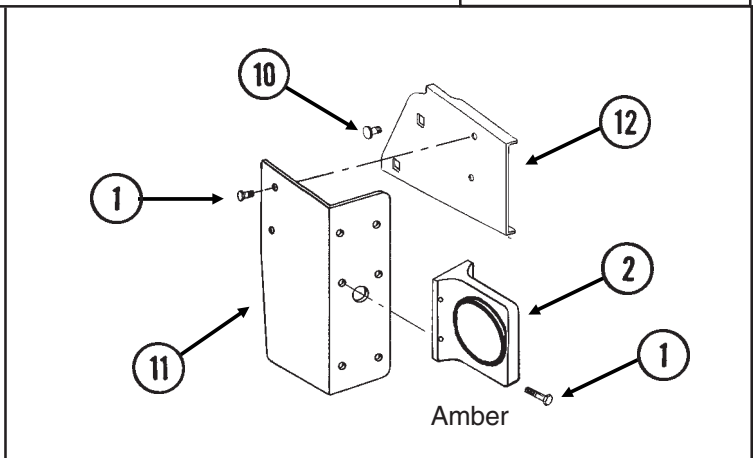
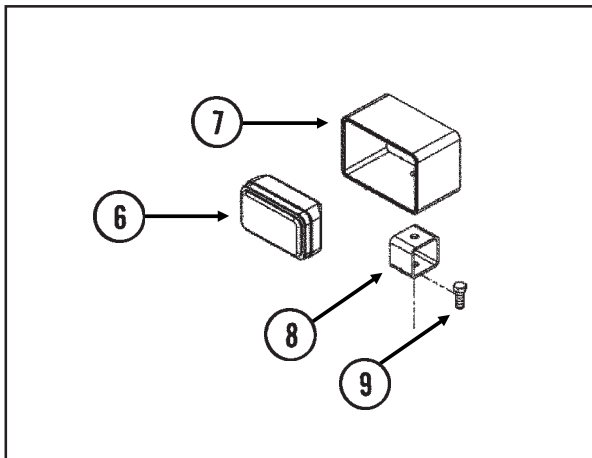
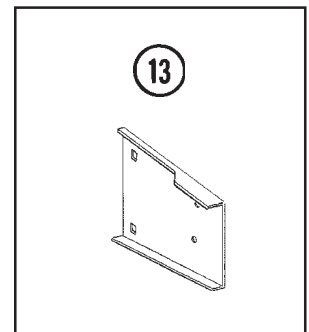
ITEM	PART NO.	QTY.	DESCRIPTION
1.	G1K321	-	2-Pin Female Connector Kit (Black), Includes: (3) 2-Pin Female Housings, (6) Pin Contacts, (6) Seals
2.	G1K320	-	2-Pin Male Connector Kit (Black), Includes: (3) 2-Pin Male Housings, (6) Socket Contacts, (6) Seals
3.	G1K248	-	3-Pin Female Connector Kit (Black), Includes: (3) 3-Pin Female Housings, (9) Pin Contacts, (9) Seals
4.	G1K252	-	3-Pin Male Connector Kit (Black), Includes: (3) 3-Pin Male Housings, (9) Socket Contacts, (9) Seals
5.	GA8328	-	4-Pin Female Connector Kit, Includes: (1) 4-Pin Female Housing, (4) Pin Contacts, (4) Seals
6.	GA8329	-	4-Pin Male Connector Kit, Includes: (1) 4-Pin Male Housing, (4) Socket Contacts, (4) Seals
7.	GD11089	-	Sealing Plug
8.	GA10315	1	Wiring Harness, 414", 24 Row 30"
	GA10323	1	Wiring Harness, 487", 32 Row 30"
	GA10334	1	Wiring Harness, 543", 36 Row 30"
9.	GA10318	1	Wiring Harness, 156", 24 Row 30"
	GA10326	1	Wiring Harness, 231", 32 Row 30"
	GA10338	1	Wiring Harness, 276", 36 Row 30"
10.	GA10317	1	Wiring Harness, 198", 24 Row 30"
	GA10325	1	Wiring Harness, 243", 32 Row 30"
	GA10336	1	Wiring Harness, 258", 36 Row 30"
11.	GA10316	1	Wiring Harness, 254", 24 Row 30"
	GA10324	1	Wiring Harness, 327", 32 Row 30"
	GA10335	1	Wiring Harness, 359", 36 Row 30"
12.	GA10319	1	Wiring Harness, 156", 24 Row 30"
	GA10327	1	Wiring Harness, 231", 32 Row 30"
	GA10337	1	Wiring Harness, 276", 36 Row 30"
13.	GA10452	2	Wiring Harness, 63", 32 Row 30" And 36 Row 30"
14.	GA11299	2	Wiring Harness, 63", All Sizes

LIGHT ASSEMBLIES AND BRACKETS

(FWD133/FWD14/RU130b/RU131f)



Conventional Only
See "Bulk Seed Hopper Assembly (SDS)", Pages P28 And P29
For Light Brackets For SDS
Planters



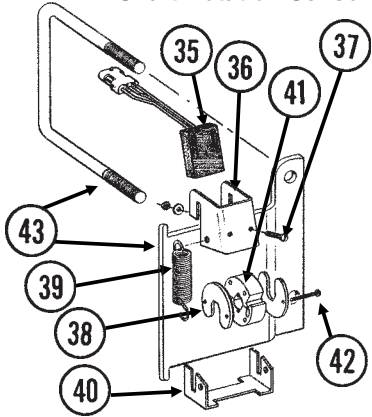
LIGHT ASSEMBLIES AND BRACKETS

ITEM	PART NO.	QTY.	DESCRIPTION
1.	G10064	-	Hex Head Cap Screw, 1/4"-20 x 1"
	G10227	-	Lock Washer, 1/4"
	G10103	-	Hex Nut, 1/4"-20
2.	GA10576	4	Single Amber Light Assembly
	GR1731	-	Amber Lens
	GR1208	-	Bulb
3.	GA10571	1	Double Light Assembly
	GA10572	-	Double Light Assembly (Shown)
	GR1733	-	Red Lens
	GR1731	-	Amber Lens
	GR1732	-	Cover
	GR1208	-	Bulb
4.	GA11771	1	Light Bracket, L.H. (Conventional) (Shown)
	GA11772	-	Light Bracket, R.H. (Conventional)
5.		-	See "Manifolds And Distribution Hoses", Pages P52-P55
6.	GA10297	2	Work Light Assembly W/Halogen Lamp
	GR1707	-	Halogen Lamp, 3" x 5"
7.	GD15582	1	Light Protector
8.	GD14987	1	Light Bracket
9.	G10017	1	Hex Head Cap Screw, 1/2"-13 x 1 1/2"
	G10228	1	Lock Washer, 1/2"
	G10102	1	Hex Nut, 1/2"-13
10.	G10312	-	Carriage Bolt, 5/16"-18 x 3/4"
	G10620	-	Serrated Flange Nut, 5/16"-18
11.	GD12725	1	Bracket (Shown)
	GD12724	1	Bracket
12.	GD15968	1	Light Mount Extension
13.	GD12723	1	Light Mount Extension

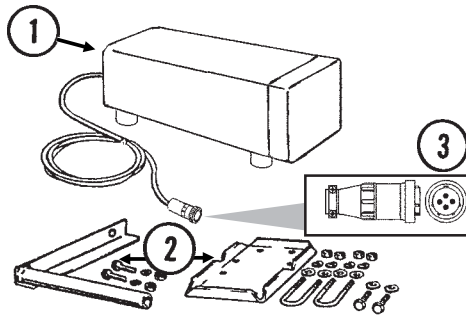
KPM II STACK-MODE ELECTRONIC SEED MONITOR

(MTR43v)

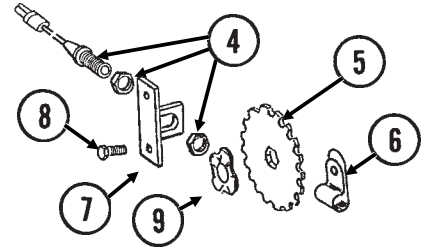
Shaft Rotation Sensor



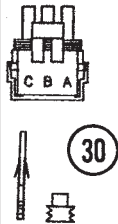
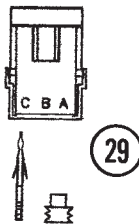
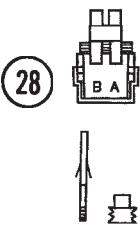
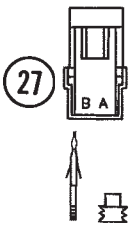
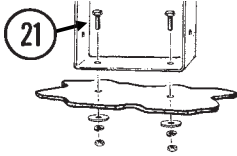
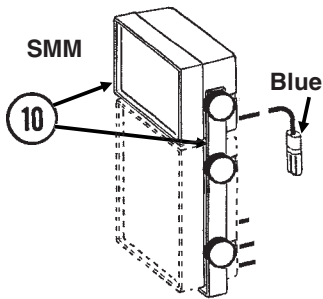
Radar Distance Sensor



Magnetic Distance Sensor (MDS)



SMM

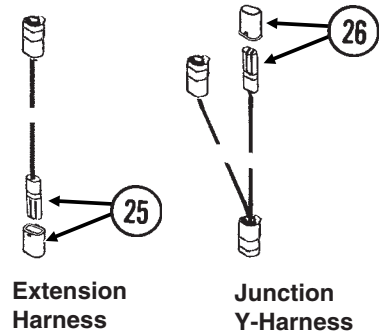
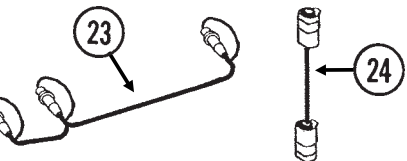
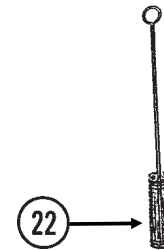
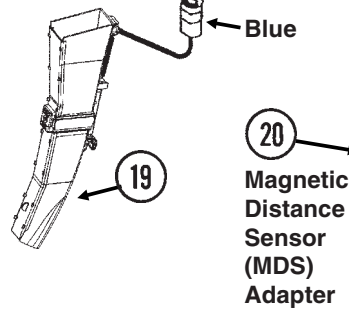
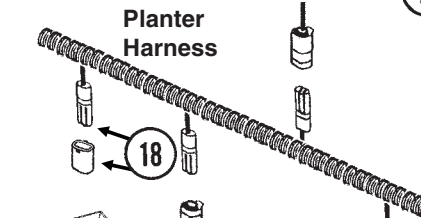
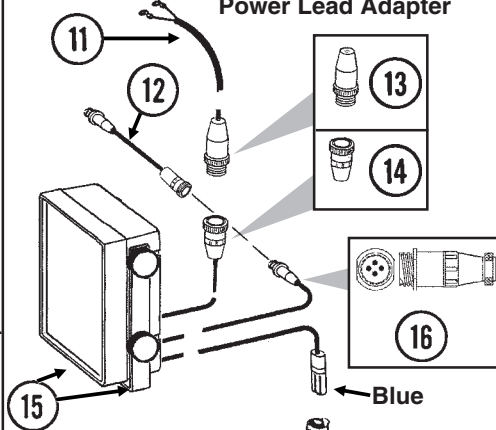


31



33

Power Lead Adapter



ITEM	PART NO.	QTY.	DESCRIPTION
1.	GA7858	-	Radar Distance Sensor W/20' Cable
2.	GA8026	-	Radar Sensor Pipe/Mounting Bracket Package
3.	G1K323	-	4-Pin Connector Kit W/Female Housing, Includes: (4) Pins, (1) Cable Clamp
4.	GA5600	1	Magnetic Distance Sensor
5.	GD8751	-	Magnetic Distance Sensor Pulse Wheel
6.	GD6291	-	Insulated Clamp, 3/8"
7.	GD8770	1	Bracket
8.	G10001	2	Hex Head Cap Screw, 3/8"-16 x 1"
	G10229	2	Lock Washer, 3/8"
	G10101	2	Hex Nut, 3/8"-16

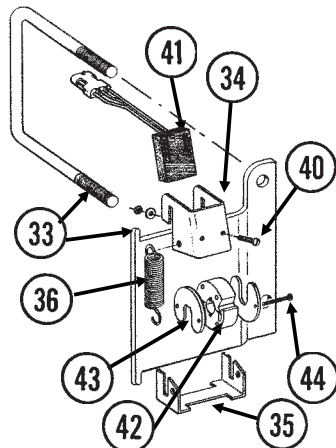
KPM II STACK-MODE ELECTRONIC SEED MONITOR

ITEM	PART NO.	QTY.	DESCRIPTION
9.	GD8771	1	Spring Wave Washer
10.	GA9857	1	SMM Backlit Console W/Mounting Bracket And Dust Plug (Item 36)
	GR1631	-	Mounting Bracket, KPM II Stack-Mode And SMM Consoles
	GR1632	-	Console Mounting Bracket Hardware Package (Includes 2 Knobs And 1/4" Hardware)
11.	GA7856	1	Power Lead Adapter
12.	GA9144	-	Monitor/Radar Adapter Cable, 10"
13.	G1K267	-	Power Lead Adapter Connector Kit, Includes: (1) Cable Clamp, (1) 3-Pin Connector, (3) Male Terminal Pins
14.	G1K268	-	Console Cable Connector Kit, Includes: (1) Cable Clamp, (1) 3-Pin Connector, (1) Lock Ring, (3) Female Terminal Pins
15.	GA10575	-	KPM II Backlit Console W/Mounting Bracket, Fuse Holder And Fuse, Power Lead Adapter (Item 11), Brush (Item 23), Dust Plug (Item 34) And Monitor/Radar Adapter, 10" (Item 12)
	GR1391	-	Mounting Bracket, KPM II
	GR1393	-	Console Mounting Bracket Hardware Package (Includes 4 Knobs And 1/4" Hardware)
	GA10601	-	Fuse Holder
	GD7639	-	Fuse
16.	G1K322	-	4-Pin Connector Kit W/Male Housing, (4) Female Socket Contacts And (1) Cable Clamp
17.		-	Included In Tractor/Planter Wiring Harnesses, See Pages P140 And P141
18.	GA8022	-	Planter Harness W/Dust Caps, 6 Row (9 Connectors)
	GA7851	-	Planter Harness W/Dust Caps, 12 Row (16 Connectors)
	GA7852	-	Planter Harness W/Dust Caps, 16 Row (20 Connectors)
	GD11993	-	Dust Cap
19.	GA11948	-	Seed Tube W/Computerized Sensor, EdgeVac®
	GR1737	-	Sensor Only, EdgeVac®
	GA11947	-	Seed Tube (With Holes For Sensor Installation), EdgeVac®
20.	GA7859	1	Magnetic Distance Sensor Adapter (Analog To Digital)
21.	G10022	2	Hex Head Cap Screw, 1/4"-20 x 1/2"
	G10211	2	Washer, 1/4" SAE
	G10227	2	Lock Washer, 1/4"
	G10103	2	Hex Nut, 1/4"-20
22.	GR0594	-	Brush
23.	GR0586	1	Radar Y-Cable (Used To Connect Radar Distance Sensor For Multiple Functions)
24.	GA7849	-	Extension Harness, 15'
25.	GA7854	-	Extension Harness W/Dust Cap, 15'
	GA7855	-	Extension Harness W/Dust Cap, 30'
	GD11993	-	Dust Cap
26.	GA7853	-	Junction Y-Harness W/Dust Cap
	GD11993	-	Dust Cap
27.	G1K321	-	2-Pin Female Connector Kit (Black), Includes: (3) 2-Pin Female Housings, (6) Pin Contacts, (6) Seals
28.	G1K320	-	2-Pin Male Connector Kit (Black), Includes: (3) 2-Pin Male Housings, (6) Socket Contacts, (6) Seals
29.	G1K248	-	3-Pin Female Connector Kit (Black), Includes: (3) 3-Pin Female Housings, (9) Pin Contacts, (9) Seals
	G1K362	-	3-Pin Female Connector Kit (Blue), Includes: (3) 3-Pin Female Housings, (9) Pin Contacts, (9) Seals
30.	G1K252	-	3-Pin Male Connector Kit (Black), Includes: (3) 3-Pin Male Housings, (9) Socket Contacts, (9) Seals
	G1K363	-	3-Pin Male Connector Kit (Blue), Includes: (3) 3-Pin Male Housings, (9) Socket Contacts, (9) Seals
31.	GD11089	-	Sealing Plug
32.	G1K249	-	Acre Counter Switch Kit
33.	GA8046	-	Dust Plug (Black)
	GA9978	-	Dust Plug (Blue)
34.	GA8047	-	Dust Plug (Black)
	GA9979	-	Dust Plug (Blue)
35.	GR1415	1	Rotation Sensor
36.	GD11169	1	Mount
37.	G10757	2	Pan Head Screw, No. 10-32 x 1 1/4"
	G10243	2	Washer, No. 10 SAE
	G10758	2	Hex Nut, No. 10-32
38.	GD11474	2	Cover
39.	GD5857	2	Spring
40.	GD11170	1	Spring Mount
41.	GR1414	1	Actuator
42.	G10927	2	Pan Head Machine Screw, No. 8-32 x 1 1/4", Stainless Steel
	G10931	2	Lock Washer, No. 8, Internal/External, Stainless Steel
	G10928	2	Hex Nut, No. 8-32, Stainless Steel
43.	G1K364	-	Rotation Sensor Mount Kit, Includes: (2) Mounts, (2) GD11721 5" x 7" U-Bolts, (4) G10228 Lock Washers, (4) G10102 Hex Nuts, (1) Instruction
A.	GA6147	-	Magnetic Distance Sensor And Mounting Package (Items 4-9)

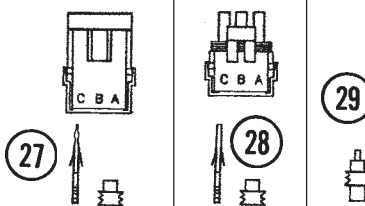
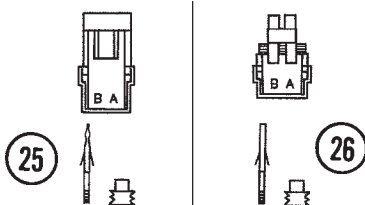
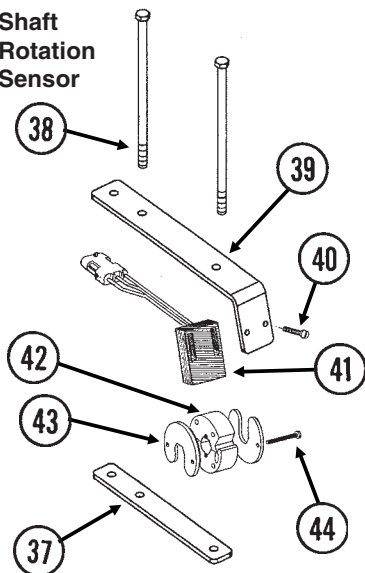
KPM III ELECTRONIC SEED MONITOR

(MTR43w)

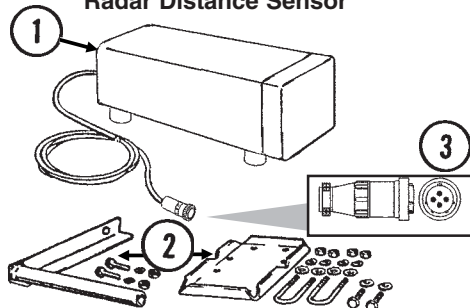
Shaft Rotation Sensor



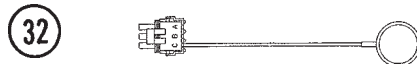
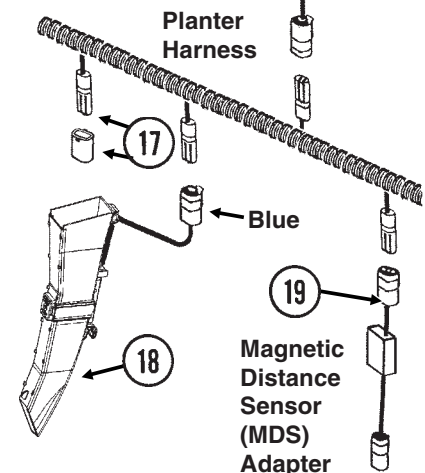
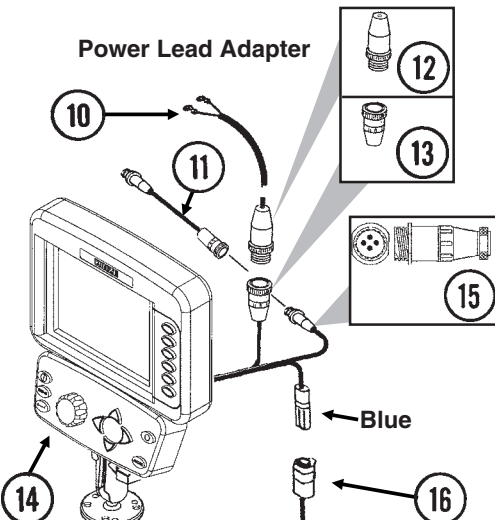
Shaft Rotation Sensor



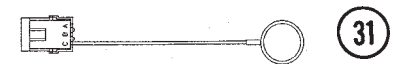
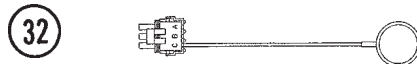
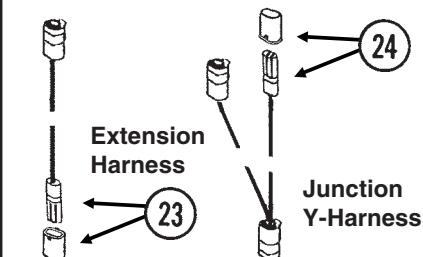
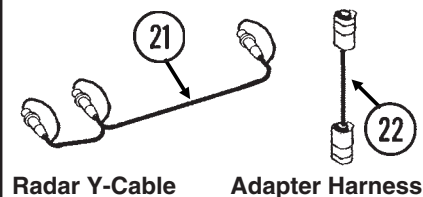
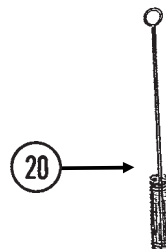
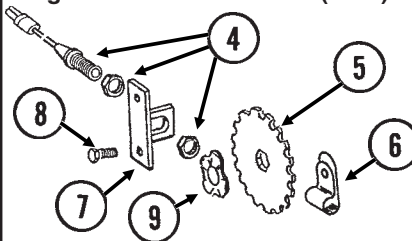
Radar Distance Sensor



Power Lead Adapter



Magnetic Distance Sensor (MDS)



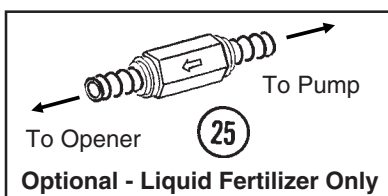
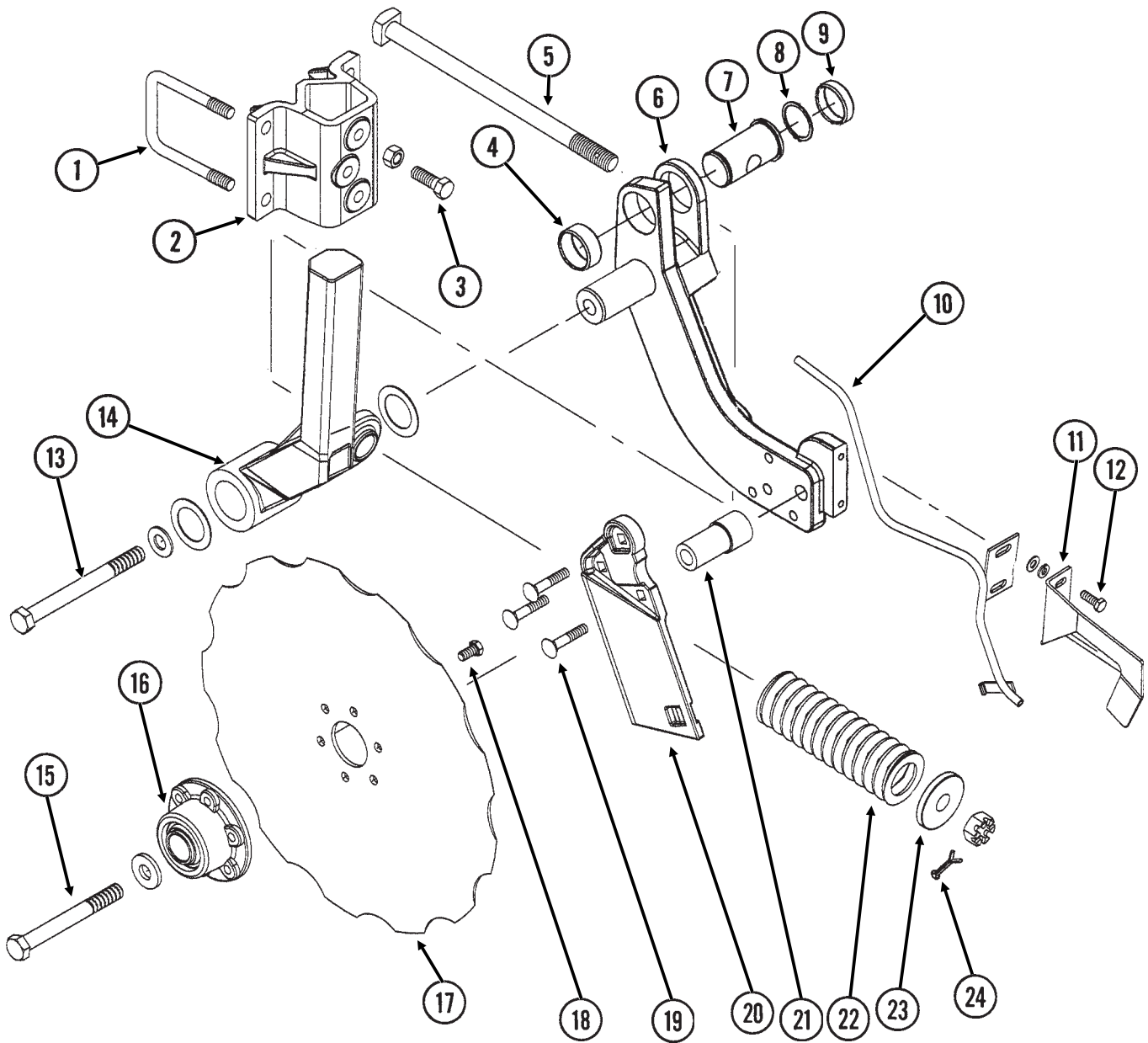
TEM	PART NO.	QTY.	DESCRIPTION
1.	GA7858	-	Radar Distance Sensor W/20' Cable
2.	GA8026	-	Radar Sensor Pipe/Mounting Bracket Package
3.	G1K323	-	4-Pin Connector Kit W/Female Housing, Includes: (4) Pins, (1) Cable Clamp
4.	GA5600	1	Magnetic Distance Sensor
5.	GD8751	-	Magnetic Distance Sensor Pulse Wheel
6.	GD6291	-	Insulated Clamp, 3/8"
7.	GD8770	1	Bracket
8.	G10001	2	Hex Head Cap Screw, 3/8"-16 x 1"
	G10229	2	Lock Washer, 3/8"
	G10101	2	Hex Nut, 3/8"-16

KPM III ELECTRONIC SEED MONITOR

ITEM	PART NO.	QTY.	DESCRIPTION
9.	GD8771	1	Spring Wave Washer
10.	GA7856	1	Power Lead Adapter
11.	GA9144	-	Monitor/Radar Adapter Cable, 10"
12.	G1K267	-	Power Lead Adapter Connector Kit, Includes: (1) Cable Clamp, (1) 3-Pin Connector, (3) Male Terminal Pins
13.	G1K268	-	Console Cable Connector Kit, Includes: (1) Cable Clamp, (1) 3-Pin Connector, (1) Lock Ring, (3) Female Terminal Pins
14.	GA11039	1	KPM III Backlit Console W/Brush (Item 23), Dust Plug (Item 34), Mounting Bracket Assembly, Console Mounting Bracket Hardware And Power Harness
	GA12403	-	Mounting Bracket Assembly, Includes: (2) Mounting Brackets, (2) Connector Halves, (1) Compression Spring, (1) Tension Knob, (1) 1/4"-20 x 1 3/4" Hex Head Cap Screw, (1) 1/4" Plastic Washer, (1) 1/4" Steel Washer
	GR1762	-	Console Mounting Bracket Hardware Package, Includes: (3) No. 10-32 x 5/8" Hex Socket Pan Head Screws, (3) No. 10 Lock Washers
	GR1764	-	Power Harness
15.	G1K322	-	4-Pin Connector Kit W/Male Housing, (4) Female Socket Contacts And (1) Cable Clamp
16.		-	Included In Tractor/Planter Wiring Harnesses, See Pages P140 And P141
17.	GA8022	-	Planter Harness W/Dust Caps, 6 Row (9 Connectors)
	GA7851	-	Planter Harness W/Dust Caps, 12 Row (16 Connectors)
	GA7852	-	Planter Harness W/Dust Caps, 16 Row (20 Connectors)
	GD11993	-	Dust Cap
18.	GA12650	-	Seed Tube W/Computerized Sensor, EdgeVac®
	GR1737	-	Sensor Only, EdgeVac®
	GA12636	-	Seed Tube (With Holes For Sensor Installation), EdgeVac®
19.	GA7859	1	Magnetic Distance Sensor Adapter (Analog To Digital)
20.	GR0594	-	Brush
21.	GR0586	1	Radar Y-Cable (Used To Connect Radar Distance Sensor For Multiple Functions)
22.	GA7849	-	Extension Harness, 15'
23.	GA7854	-	Extension Harness W/Dust Cap, 15'
	GA7855	-	Extension Harness W/Dust Cap, 30'
	GD11993	-	Dust Cap
24.	GA7853	-	Junction Y-Harness W/Dust Cap
	GD11993	-	Dust Cap
25.	G1K321	-	2-Pin Female Connector Kit (Black), Includes: (3) 2-Pin Female Housings, (6) Pin Contacts, (6) Seals
26.	G1K320	-	2-Pin Male Connector Kit (Black), Includes: (3) 2-Pin Male Housings, (6) Socket Contacts, (6) Seals
27.	G1K248	-	3-Pin Female Connector Kit (Black), Includes: (3) 3-Pin Female Housings, (9) Pin Contacts, (9) Seals
	G1K362	-	3-Pin Female Connector Kit (Blue), Includes: (3) 3-Pin Female Housings, (9) Pin Contacts, (9) Seals
28.	G1K252	-	3-Pin Male Connector Kit (Black), Includes: (3) 3-Pin Male Housings, (9) Socket Contacts, (9) Seals
	G1K363	-	3-Pin Male Connector Kit (Blue), Includes: (3) 3-Pin Male Housings, (9) Socket Contacts, (9) Seals
29.	GD11089	-	Sealing Plug
30.	G1K249	-	Acre Counter Switch Kit
31.	GA8046	-	Dust Plug (Black)
	GA9978	-	Dust Plug (Blue)
32.	GA8047	-	Dust Plug (Black)
	GA9979	-	Dust Plug (Blue)
33.	G1K364	-	Rotation Sensor Mount Kit, Includes: (2) Mounts, (2) GD11721 5" x 7" U-Bolts, (4) G10228 Lock Washers, (4) G10102 Hex Nuts, (1) Instruction
34.	GD11169	1	Mount
35.	GD11170	1	Spring Mount
36.	GD5857	2	Spring
37.	GD18168	2	Mount
38.	G10686	4	Hex Head Cap Screw, 3/8"-16 x 8"
	G10229	4	Lock Washer, 3/8"
	G10101	4	Hex Nut, 3/8"-16
39.	GD18118	2	Shaft Sensor Mount
40.	G10757	4	Pan Head Screw, No. 10-32 x 1 1/4"
	G10243	4	Washer, No. 10 SAE
	G10758	4	Hex Nut, No. 10-32
41.	GR1415	1	Rotation Sensor
42.	GR1414	1	Actuator
43.	GD11474	4	Cover
44.	G10927	4	Pan Head Machine Screw, No. 8-32 x 1 1/4", Stainless Steel
	G10931	4	Lock Washer, No. 8, Internal/External, Stainless Steel
	G10928	4	Hex Nut, No. 8-32, Stainless Steel
A.	GA6147	-	Magnetic Distance Sensor And Mounting Package (Items 4-9)

NOTCHED SINGLE DISC FERTILIZER OPENER

(A10216aa)

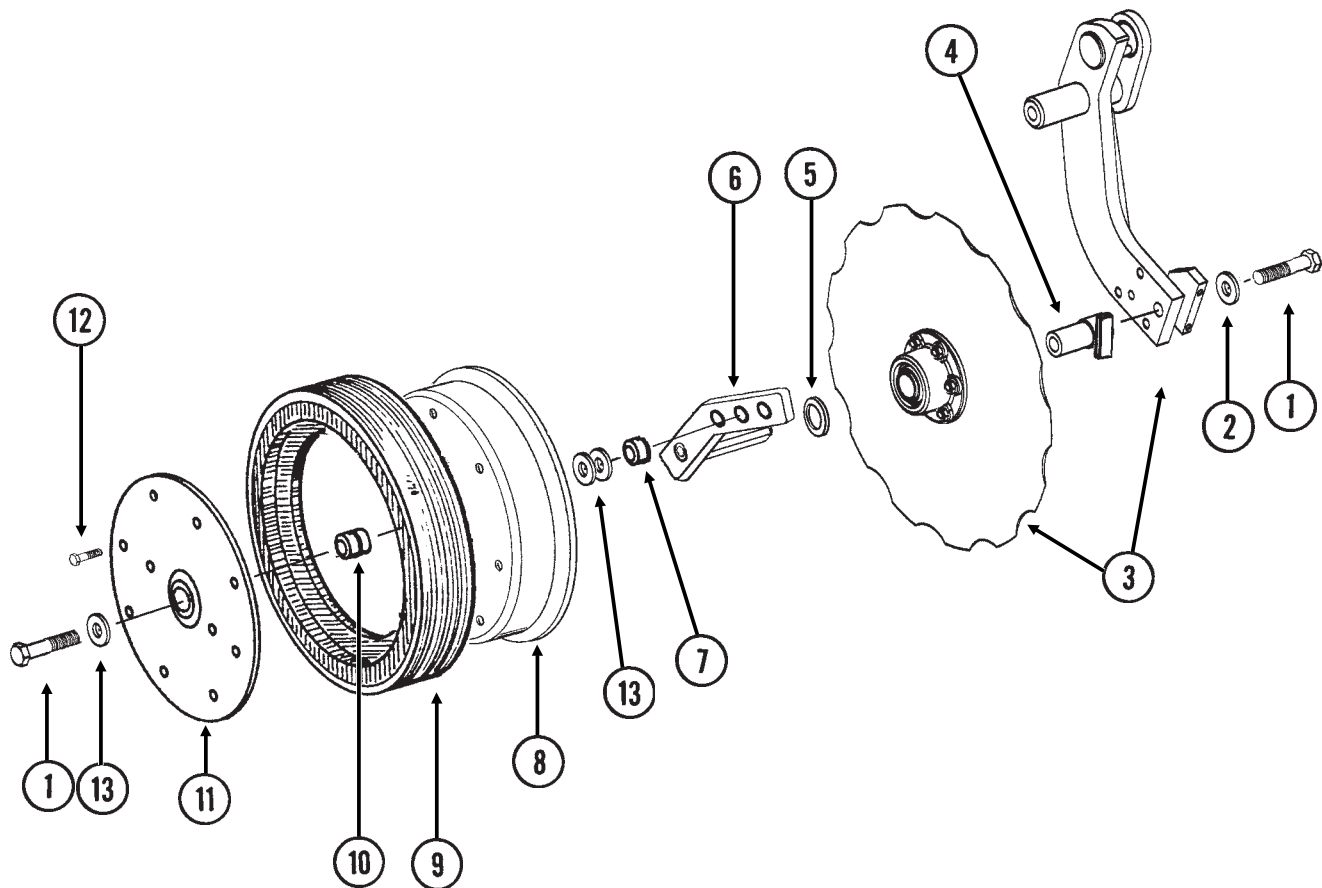


NOTCHED SINGLE DISC FERTILIZER OPENER

ITEM	PART NO.	QTY.	DESCRIPTION
(Per Assy.)			
1.	GD17006	2	U-Bolt, 3" x 3" x 1/2"-13
	G10228	4	Lock Washer, 1/2"
	G10102	4	Hex Nut, 1/2"-13
2.	GB0343	1	Mount
3.	G10017	3	Hex Head Cap Screw, 1/2"-13 x 1 1/2"
	G10102	3	Hex Nut, 1/2"-13
4.	GD14672	1	Spring Bushing, 3/4"
5.	GD15226	1	Special Bolt, 3/4"-10 x 12"
	G11116	1	Slotted Hex Nut, 3/4"-10
6.	GA10704	1	Pivot Arm W/Shaft, R.H. (Shown)
	GA10705	-	Pivot Arm W/Shaft, L.H.
	GD14651	-	Shaft
7.	GD14649	-	Pin
8.	G10283	1	External Retaining Ring, 1 1/2"
9.	GD14673	1	Spring Bushing, 1/2"
10.	GA11760	1	Drop Tube, R.H., Liquid Fertilizer (Shown)
	GA11759	-	Drop Tube, L.H., Liquid Fertilizer
11.	GD11558	-	Scraper, R.H. (Shown)
	GD11557	1	Scraper, L.H.
12.	G10991	2	Hex Head Cap Screw, 5/16"-18 x 7/8"
	G10232	2	Lock Washer, 5/16"
	G10219	2	Washer, 5/16" USS
13.	G10012	1	Hex Head Cap Screw, 5/8"-11 x 6 1/2"
	G10450	2	Machine Bushing, 1 1/2", 18 Gauge
	G10217	1	Washer, 5/8" USS
	G10107	1	Lock Nut, 5/8"-11
14.	GA10646	1	Arm Mount W/Grease Fitting, Bushing And Seal, R.H. (Shown)
	GA10647	-	Arm Mount W/Grease Fitting, Bushing And Seal, L.H.
	G10640	-	Grease Fitting, 1/4"-28
	GD15600	-	Bushing
	GD15568	-	Seal
15.	G10011	1	Hex Head Cap Screw, 5/8"-11 x 5 1/2"
	GD12677	1	Washer, 1 1/2" O.D., 7 Gauge, Hardened
	G10107	1	Lock Nut, 5/8"-11
16.	GA9437	1	Hub W/Bearing
	GA8603	-	Bearing, Double Row
17.	GD12676	1	Disc Blade, Notched, 16 3/4"
18.	G10002	6	Hex Head Cap Screw, 3/8"-16 x 3/4"
19.	G10306	3	Carriage Bolt, 3/8"-16 x 2"
	G10108	3	Lock Nut, 3/8"-16
20.	GB0322	-	Knife, R.H. (Shown)
	GB0323	1	Knife, L.H.
21.	GD12679	1	Stepped Spacer, 3" Long
22.	GD12817	1	Compression Spring
23.	GB0213	1	Spring Seat
24.	G10462	1	Cotter Pin, 3/16" x 2"
25.	GA8983	-	Check Valve, Low Rate

DEPTH/GAUGE WHEEL ATTACHMENT FOR NOTCHED SINGLE DISC FERTILIZER OPENER

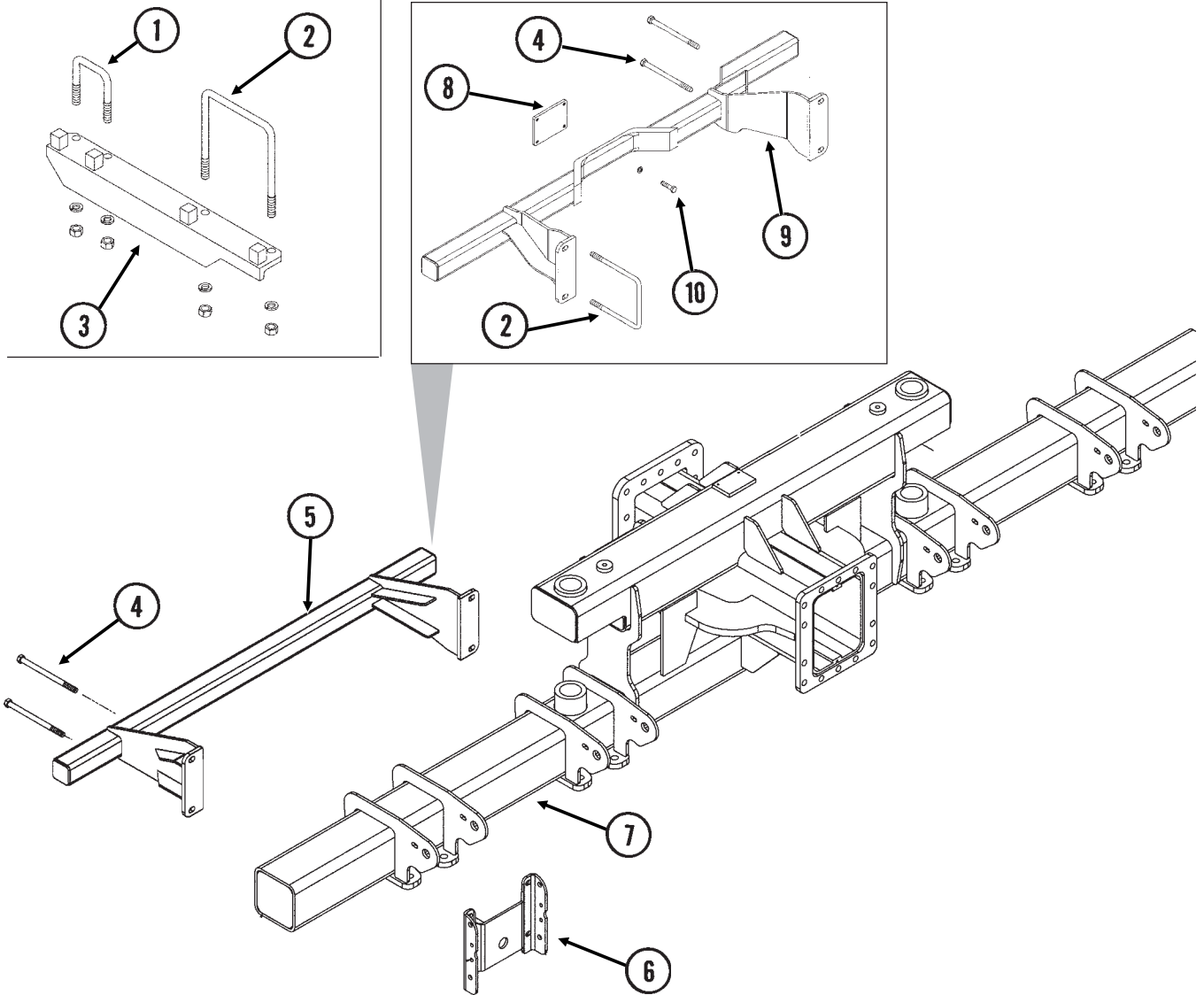
(FRTZ257)



ITEM	PART NO.	QTY.	DESCRIPTION
		(Per Assy.)	
1.	G10010	2	Hex Head Cap Screw, $\frac{5}{8}$ "-11 x 3"
2.	GD7805	1	Special Washer, $\frac{5}{8}$ ", Hardened
3.		-	See "Notched Single Disc Fertilizer Opener", Pages P152 And P153
4.	GA9472	1	Blade Mount
5.	G10233	1	Machine Bushing, 1", 10 Gauge
6.	GA10037	1	Wheel Mount, L.H. (Shown)
	GA10036	1	Wheel Mount, R.H.
7.	GD13309	1	Spacer
8.	GD11423	1	Half Wheel
9.	GD11953	1	Offset Tire
10.	GA6171	1	Bearing
11.	GD11954	1	Half Wheel Cover, Nylon
12.	G10961	11	Flanged Whiz-Lock Screw, $\frac{5}{16}$ "-18 x $\frac{3}{4}$ ", No Serration
	G10620	11	Serrated Flange Nut, $\frac{5}{16}$ "-18
13.	G10204	-	Special Machine Bushing, $\frac{5}{8}$ " x 1" O.D. (As Required)
A.	GA8877	-	Gauge Wheel Complete (Items 8-12)

FERTILIZER OPENER MOUNTS

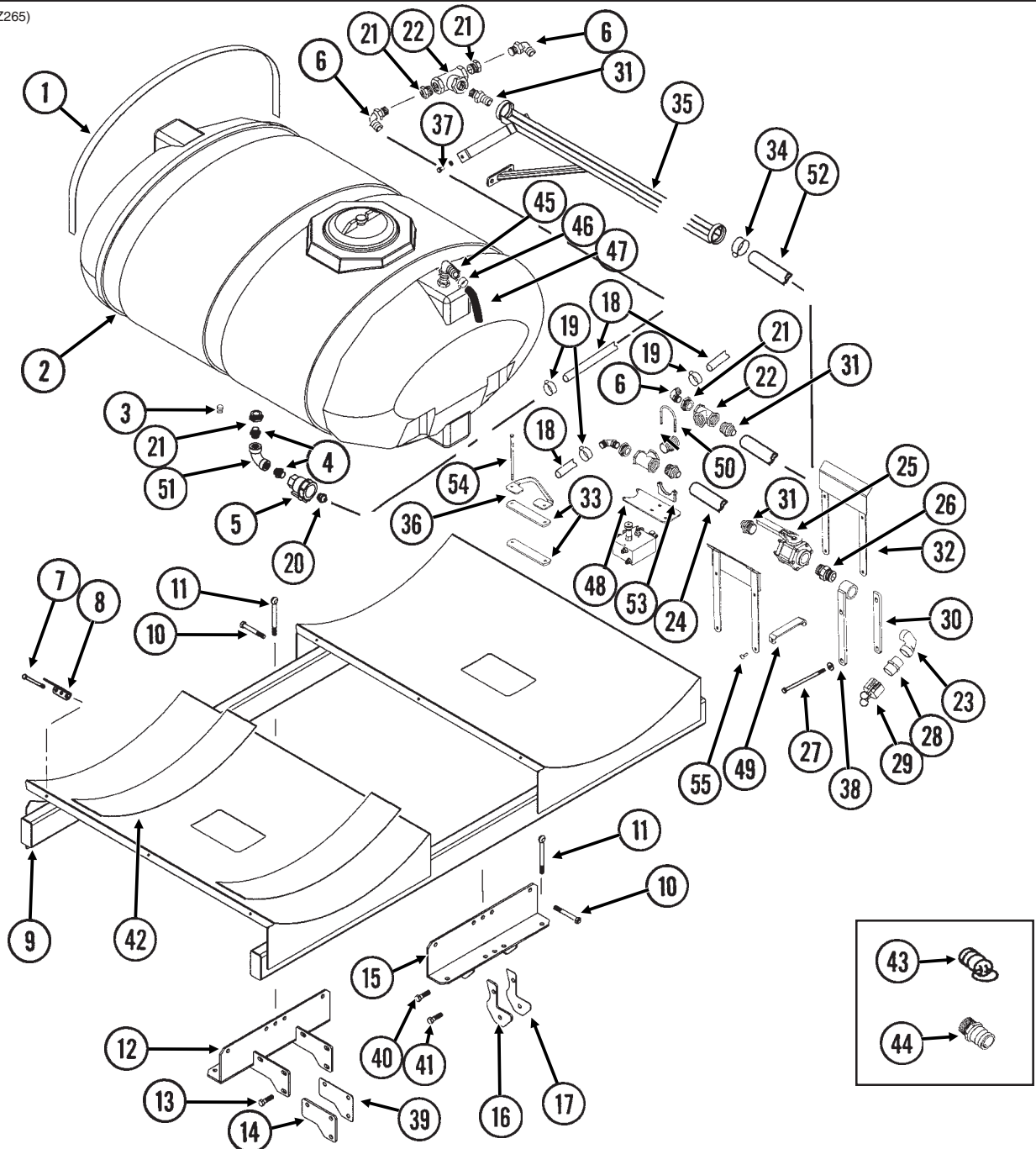
(FWD28/FWD138/FWD29a)



ITEM	PART NO.	QTY.	DESCRIPTION
1.	GD14671	-	U-Bolt, 3" x 3" x 5/8"-11
	G10230	-	Lock Washer, 5/8"
	G10104	-	Hex Nut, 5/8"-11
2.	GD17039	-	U-Bolt, 7" x 7" x 5/8"-11
	G10230	-	Lock Washer, 5/8"
	G10104	-	Hex Nut, 5/8"-11
3.	GB0365	-	Brace, L.H. (Shown)
	GB0370	-	Brace, R.H.
4.	G10177	-	Hex Head Cap Screw, 5/8"-11 x 9 1/2"
	G10230	-	Lock Washer, 5/8"
	G10104	-	Hex Nut, 5/8"-11
5.	GA10923	2	Mount
6.		-	See "Parallel Arms, Mounting Support Plate And Quick Adjustable Down Force Springs", Page P4
7.		-	See "Center Toolbar/Rear H-Frame Assembly", Pages P62 And P63
8.	GD17973	2	Tap Block
9.	GA12487	1	Opener Mount, L.H. (Shown)
	GA12488	-	Opener Mount, R.H.
10.	G10016	8	Hex Head Cap Screw, 1/2"-13 x 2"
	G10228	8	Lock Washer, 1/2"

LIQUID FERTILIZER TANKS, SADDLES, SADDLE MOUNTS AND HOSES (Conventional)

(FWD78a/FRTZ265)



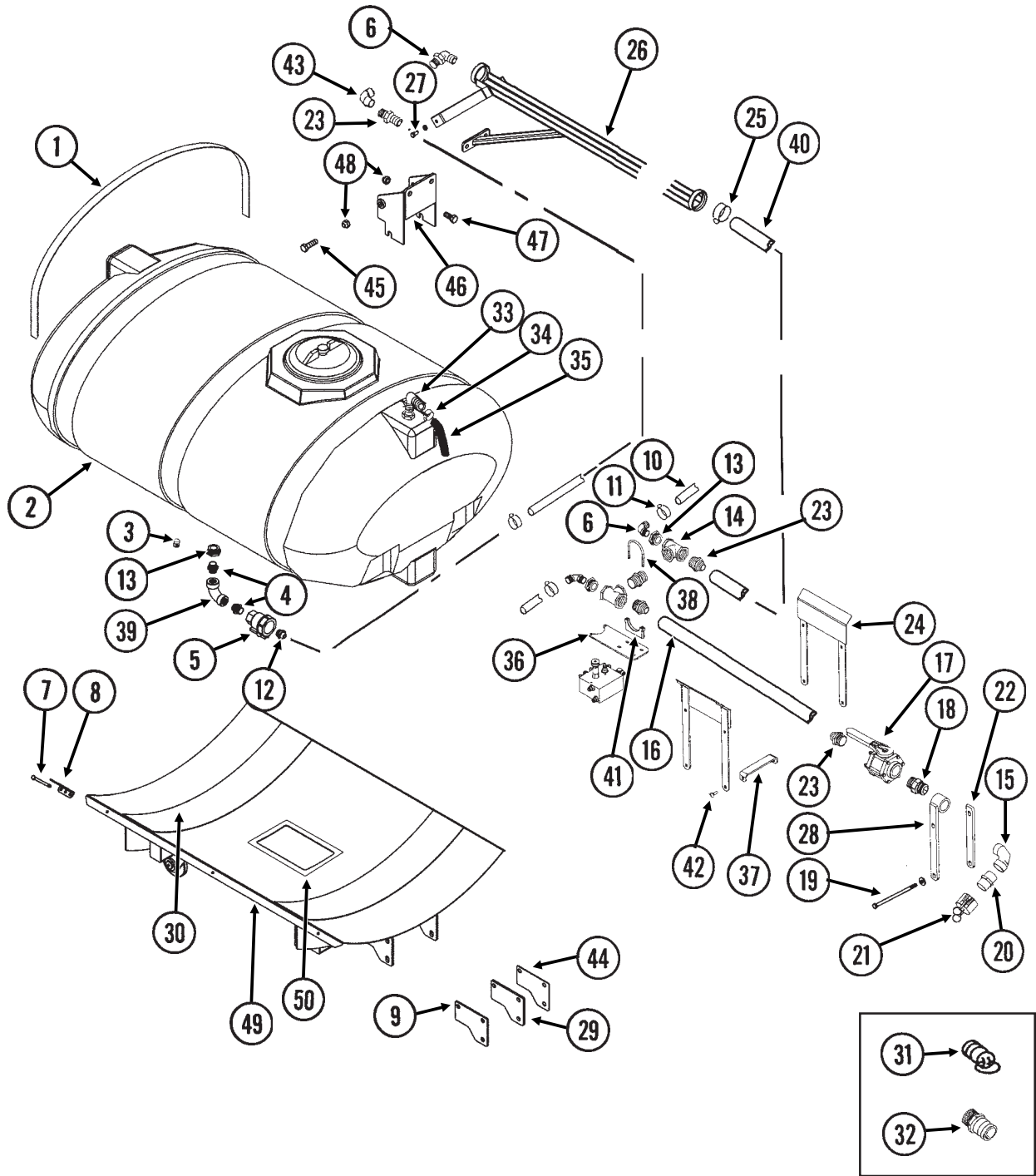
ITEM	PART NO.	QTY.	DESCRIPTION
1.	GD15605	3	Band (3 Per Tank)
2.	GA10201	2	Tank W/Lid And Fittings, 500 Gallon
	GR1702	-	Lid/Fillwell, 8" (Top Of Tank)
	GR1708	-	3/4" Bulkhead Fitting Assembly (Overflow Fitting, Nut, Bushing And O-Ring) (Top And Bottom Of Tank)
	GR1739	-	2" Bulkhead Fitting Assembly (Nut, Bushing And O-Ring) (Bottom Of Tank)
3.	GR1686	-	Lanyard, 12 1/2" (Top Of Tank)
	G10096	2	Pipe Plug, 3/4" NPT
4.	G10619	4	Close Nipple, 1 1/4" NPT
5.	GA4976	2	Shutoff Valve, 1 1/4" NPT
	GR1015	-	Body O-Ring
	GR1016	-	Stem O-Ring
	GR1017	-	Teflon Seat
	GR1018	-	Ball
	GR1019	-	Handle

LIQUID FERTILIZER TANKS, SADDLES, SADDLE MOUNTS AND HOSES (Conventional)

ITEM	PART NO.	QTY.	DESCRIPTION
6.	G10629	4	Elbow, 90°, 1 1/4" NPT To Barb
7.	G10485	6	Hex Head Tap Bolt, 3/8"-16 x 5" (6 Per Tank)
	G10901	6	Lock Nut W Nylon Insert, 3/8"-16 (6 Per Tank)
8.	GD11123	6	Anchor (Sub GA8114)
9.	GA10356	1	Tank Mount
10.	G10058	7	Hex Head Cap Screw, 3/4"-10 x 5 1/2"
	G10112	7	Lock Nut, 3/4"-10
11.	GD14645	8	Eyebolt, 3/4"-10 x 8"
	G10112	8	Lock Nut, 3/4"-10
12.	GA10358	1	Tank Mount
13.	G10044	6	Hex Head Cap Screw, 3/4"-10 x 4"
	G10112	6	Lock Nut, 3/4"-10
14.	GD15472	3	Shim, 3/8"
15.	GA10357	1	Tank Mount
16.	GD15474	2	Shim, 3/8"
17.	GD15475	2	Shim, 12 Gauge
18.	G4200-05	2	Hose, 1 1/4" x 50'
19	G10674	48	Hose Clamp, No. 24
20.	G10626	2	Adapter, 1 1/4" NPT To Barb
21.	G10616	6	Reducing Bushing, 2" Male NPT To 1 1/4" Female
22.	G10888	3	Tee, 2" Female NPT
23.	G10287	1	Elbow, 90°, 2" Male NPT To Female
24.	G4201-02	1	Hose, 2" x 12'
25.	GA2660	1	Shutoff Valve, 2" NPT
26.	G10623	3	Close Nipple, 2" NPT
27.	G10148	2	Hex Head Cap Screw, 1/2"-13 x 9 1/2"
	G10216	2	Washer, 1/2" USS
	G10228	2	Lock Washer, 1/2"
	G10102	2	Hex Nut, 1/2"-13
28.	GD3622	1	Adapter, 2" Female NPT To Cam Lock
29.	GD3951	1	Dust Cap, 2" Cam Lock
30.	GD15703	1	Bracket, 1 1/2" x 12 1/2", 24 Row 30"
	GD15706	-	Bracket, 1 1/2" x 18 1/2", 32 Row 30" And 36 Row 30"
31.	G10628	4	Adapter, 2" NPT To Barb
32.	GA11064	2	Hose Support, 24 Row 30"
	GA11063	-	Hose Support, 32 Row 30" And 36 Row 30"
33.	GD16478	4	Bracket
34.	G10676	4	Hose Clamp, No. 36
35.	GA10663	1	Hose Support
36.	GD16479	4	Mount
37.	G10014	2	Hex Head Cap Screw, 1/2"-13 x 1"
	G10228	2	Lock Washer, 1/2"
38.	GA10509	1	Straight Mount, Quick Fill, 14 19/32", 24 Row 30"
	GA10510	-	Straight Mount, Quick Fill, 20 19/32", 32 Row 30" And 36 Row 30"
39.	GD15473	2-3	Shim, 12 Gauge
40.	G10028	2	Hex Head Cap Screw, 3/4"-10 x 3"
	G10112	2	Lock Nut, 3/4"-10
41.	G10056	2	Hex Head Cap Screw, 3/4"-10 x 3 1/2"
	G10112	2	Lock Nut, 3/4"-10
42.	GD1862	2	Pad, 8" x 14"
43.	GD10777	2	Dust Plug, 2" Male Cam Lock
44.	GD3623	1	Adapter, 2" Male NPT To Cam Lock
45.	G10917	2	Elbow, 90°, 3/4" NPT To Barb
46.	G10278	10	Hose Clamp, No. 16
47.	G4205-10	1	Hose, 3/4" x 200" (100" Per Tank)
48.	GD16210	1	Bracket
49.	GD16189	4	Tie Bracket
50.	G11165	2	T-Bolt Clamp, 2 1/2", Stainless Steel
51.	G10897	2	Elbow, 90°, 1 1/4" Female NPT
52.	G4206-01	1	Hose, 2" x 18'
53.	GA8768	2	Clamp, 3"
54.	G11193	8	Hex Head Cap Screw, 3/8"-16 x 9 1/2", 24 Row 30"
	G10753	-	Hex Head Cap Screw, 3/8"-16 x 4 1/2", 32 Row 30" And 36 Row 30"
	G10108	8	Lock Nut, 3/8"-16
55.	G10599	8	Carriage Bolt, 3/8"-16 x 1 1/4"
	G10203	8	Washer, 3/8" SAE
	G10108	8	Lock Nut, 3/8"-16

LIQUID FERTILIZER TANKS, SADDLES, SADDLE MOUNTS AND HOSES (SDS 24 Row 30")

(FWD110)



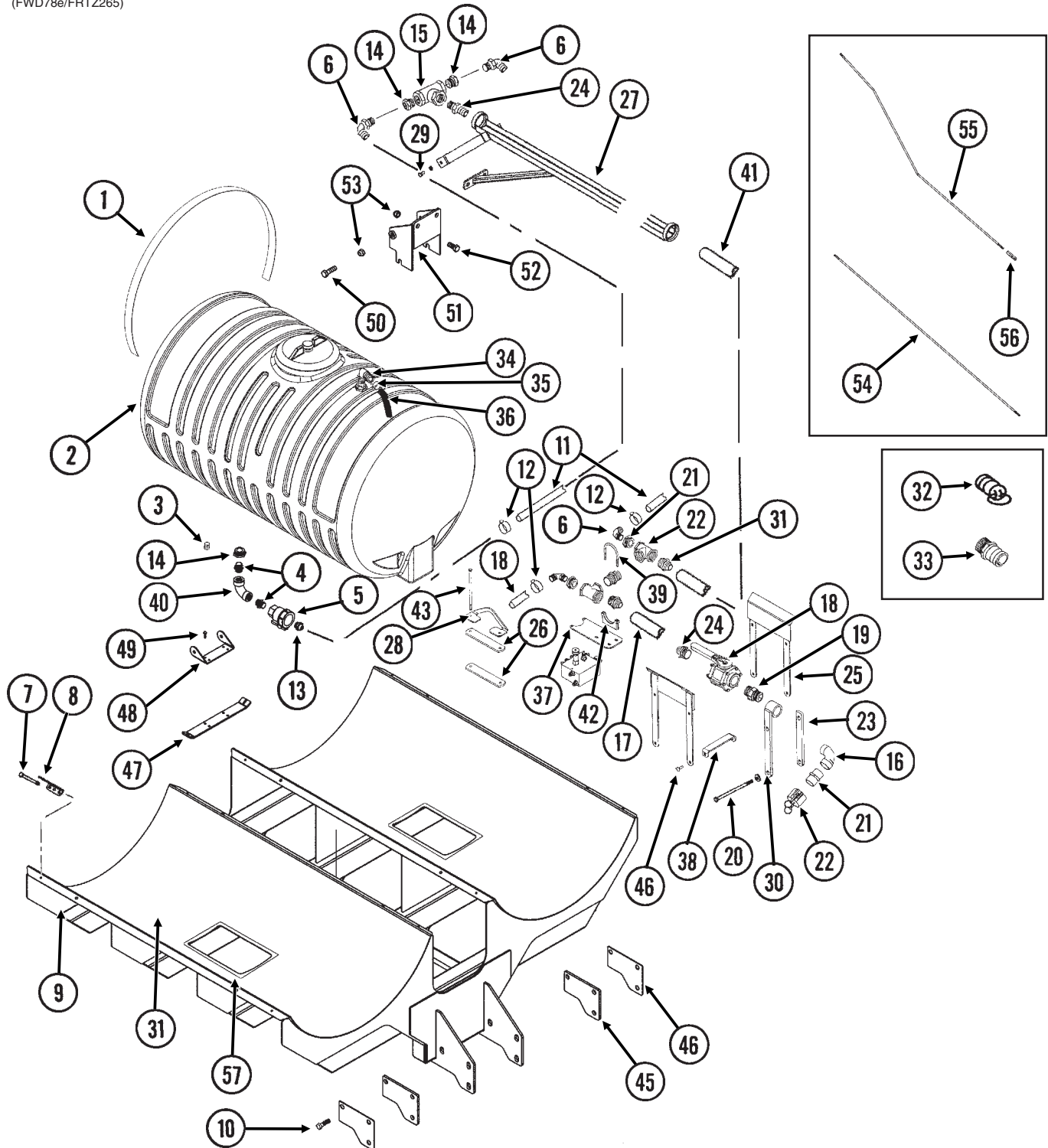
ITEM	PART NO.	QTY.	DESCRIPTION
1.	GD15605	3	Band
2.	GA10201	1	Tank W/Lid And Fittings, 500 Gallon
	GR1702	-	Lid/Fillwell, 8" (Top Of Tank)
	GR1708	-	3/4" Bulkhead Fitting Assembly (Overflow Fitting, Nut, Bushing And O-Ring) (Top And Bottom Of Tank)
	GR1739	-	2" Bulkhead Fitting Assembly (Nut, Bushing And O-Ring) (Bottom Of Tank)
	GR1686	-	Lanyard, 12 1/2" (Top Of Tank)

LIQUID FERTILIZER TANKS, SADDLES, SADDLE MOUNTS AND HOSES (SDS 24 Row 30")

ITEM	PART NO.	QTY.	DESCRIPTION
3.	G10096	2	Pipe Plug, 3/4" NPT
4.	G10619	2	Close Nipple, 1 1/4" NPT
5.	GA11399	2	Shutoff Valve, 2" NPT
	GR1769	-	Handle
	GR1768	-	Ball
	GR1017	-	Teflon Seat
	GR1767	-	Stem O-Ring
	GR1766	-	Body O-Ring
6.	G10629	1	Elbow, 90°, 1 1/4" NPT To Barb
7.	G10485	6	Hex Head Tap Bolt, 3/8"-16 x 5" (6 Per Tank)
	G10901	6	Lock Nut W/Nylon Insert, 3/8"-16 (6 Per Tank)
8.	GD11123	6	Anchor (Sub GA8114)
9.	GD16733	3	Shim, 3/8"
10.	G4200-05	2	Hose, 1 1/4" x 50'
11.	G10674	48	Hose Clamp, No. 24
12.	GD3623	2	Adapter, 2" Male NPT To Cam Lock
13.	G10616	2	Reducing Bushing, 2" Male NPT To 1 1/4" Female
14.	G10888	2	Tee, 2" Female NPT
15.	G10287	1	Elbow, 90°, 2" Male NPT To Female
16.	G4201-03	1	Hose, 2" x 18'
17.	GA2660	1	Shutoff Valve, 2" NPT
18.	G10623	3	Close Nipple, 2" NPT
19.	G10148	2	Hex Head Cap Screw, 1/2"-13 x 9 1/2"
	G10216	2	Washer, 1/2" USS
	G10228	2	Lock Washer, 1/2"
	G10102	2	Hex Nut, 1/2"-13
20.	GD3622	1	Adapter, 2" Female NPT To Cam Lock
21.	GD3951	1	Dust Cap, 2" Cam Lock
22.	GD15703	1	Bracket, 1 1/2" x 12 1/2", 24 Row 30"
23.	G10628	4	Adapter, 2" NPT To Barb
24.	GA11064	2	Hose Support, 24 Row 30"
25.	G10676	4	Hose Clamp, No. 36
26.	GA10663	1	Hose Support
27.	G10014	2	Hex Head Cap Screw, 1/2"-13 x 1"
	G10228	2	Lock Washer, 1/2"
28.	GA10509	1	Straight Mount, Quick Fill, 14 19/32", 24 Row 30"
29.	GD16731	2-4	Shim, 12 Gauge
30.	GD1862	2	Pad, 8" x 14'
31.	GD10777	2	Dust Plug, 2" Male Cam Lock
32.	GD3623	1	Adapter, 2" Male NPT To Cam Lock
33.	G10917	2	Elbow, 90°, 3/4" NPT To Barb
34.	G10278	10	Hose Clamp, No. 16
35.	G4205-10	1	Hose, 3/4" x 200" (100" Per Tank)
36.	GD16210	1	Bracket
37.	GD16189	4	Tie Bracket
38.	G11165	2	T-Bolt Clamp, 2 1/2", Stainless Steel
39.	G10629	2	Elbow, 90°, 1 1/4" NPT To Barb
40.	G4206-01	1	Hose, 2" x 18'
41.	GA8768	2	Clamp, 3"
42.	G10599	8	Carriage Bolt, 3/8"-16 x 1 1/4"
	G10203	8	Washer, 3/8" SAE
	G10108	8	Lock Nut, 3/8"-16
43.	G11185	2	Elbow, 2" Female NPT
44.	GD16732	2	Shim, 1/4"
45.	G10027	2	Hex Head Cap Screw, 3/4"-10 x 2 1/2"
46.	GA11608	-	Hose Support Mount
47.	G11042	2	Hex Head Cap Screw, 3/4"-10 x 1 3/4"
48.	G10112	12	Lock Nut, 3/4"-10
49.	GA11599	1	Tank Mount W/Wheels, Sleeve, Bushings And Hardware
	GA12452	-	Wheel
	GD5900-38	-	Sleeve, 1 1/2" O.D. x 1 1/64" I.D. x 2 1/8"
	GD16716	-	Special Bolt, 1"-8 x 12"
	G10397	-	Lock Nut, 1"-8
	G10640	-	Grease Fitting, 1/4"-28
50.	G4427-01	-	Edge Molding, 1/8" x 12"
	G4427-02	-	Edge Molding, 1/8" x 7"

LIQUID FERTILIZER TANKS, SADDLES, SADDLE MOUNTS AND HOSES (SDS 32 Row 30" And 36 Row 30")

(FWD78e/FRTZ265)



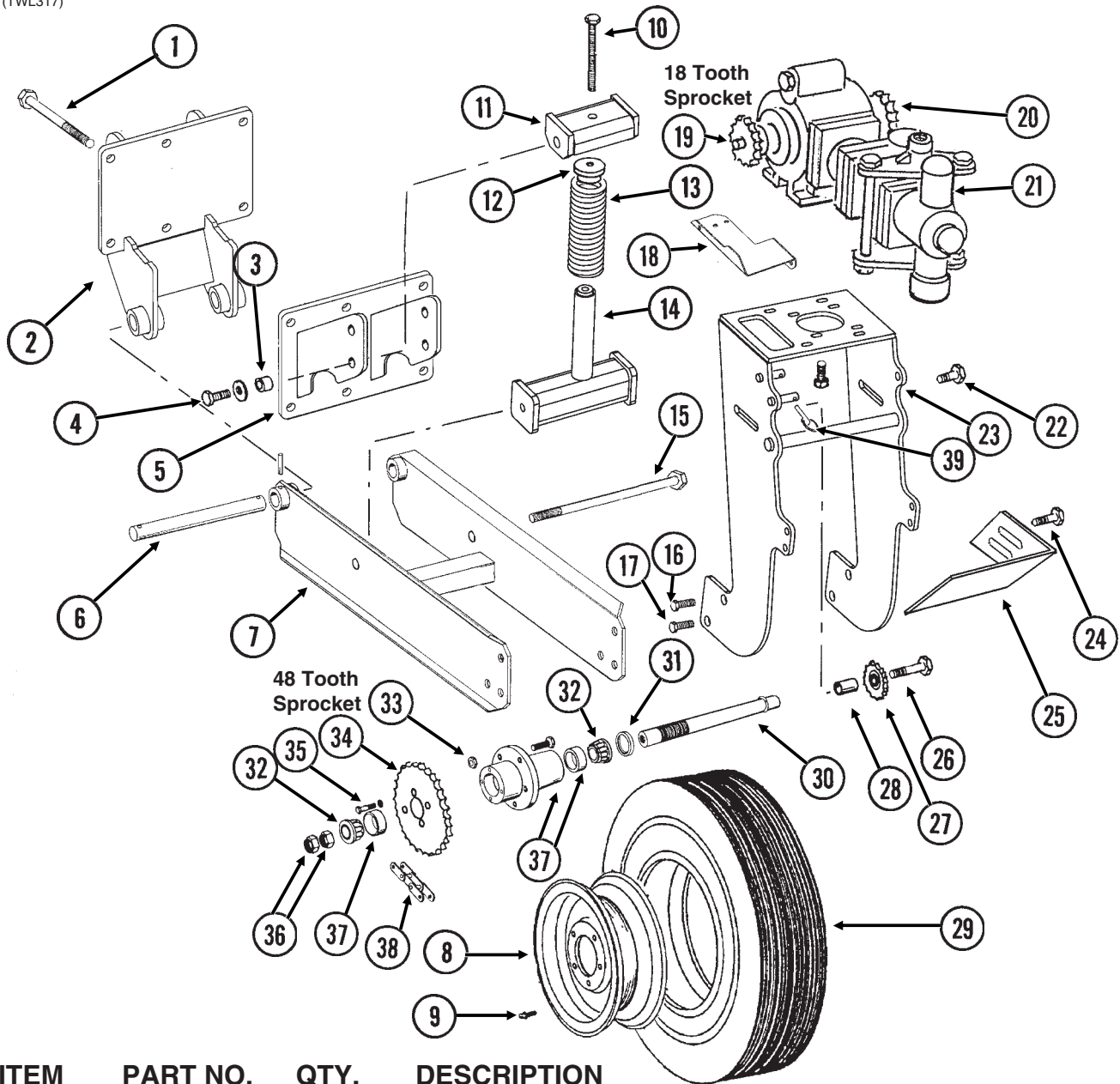
ITEM	PART NO.	QTY.	DESCRIPTION
1.	GD15605	3	Band (3 Per Tank)
2.	GA11743	2	Tank W/Lid And Fittings, 300 Gallon
	GR1006	-	Lid W/Removable Vent, 10" (Top Of Tank)
	GR1005	-	Fillwell, 10" (Top Of Tank)
	GR0508	-	1 1/4" Polypropylene Fitting Assembly (Nut, Bushing, And O-Ring) (Bottom Of Tank)
	GR1435	-	1 1/4" Anti-Vortex Fitting Assembly (Nut, Bushing And O-Ring)
	GR0513	-	3/4" Polypropylene Fitting Assembly (Overflow Fitting, Nut, Bushing And O-Ring)
	GR1571	-	Strap W/Cap Rivet
3.	G10739	2	Plug, 1 1/4" NPT

LIQUID FERTILIZER TANKS, SADDLES, SADDLE MOUNTS AND HOSES (SDS 32 Row 30" And 36 Row 30")

ITEM	PART NO.	QTY.	DESCRIPTION
4.	G10619	4	Close Nipple, 1 1/4" NPT
5.	GA4976	2	Shutoff Valve, 1 1/4" NPT
	GR1015	-	Body O-Ring
	GR1016	-	Stem O-Ring
	GR1017	-	Teflon Seat
	GR1018	-	Ball
	GR1019	-	Handle
6.	G10629	4	Elbow, 90°, 1 1/4" NPT To Barb
7.	G10485	6	Hex Head Tap Bolt, 3/8"-16 x 5" (6 Per Tank)
	G10901	6	Lock Nut W/Nylon Insert, 3/8"-16 (6 Per Tank)
8.	GD11123	6	Anchor (Sub GA8114)
9.	GA11607	1	Tank Mount W/Wheels, Sleeve, Bushings And Hardware
	GD16714	-	Wheel
	GD5900-28	-	Sleeve, 1 1/2" O.D. x 1" I.D. x 2 1/8"
	GD16717	-	Bronze Bushing
	GD16718	-	Flanged Bronze Bushing
	GD16716	-	Special Bolt, 1"-8 x 12"
	G10640	-	Grease Fitting, 1/4"-28
10.	G10044	6	Hex Head Cap Screw, 3/4"-10 x 4"
	G10112	6	Lock Nut, 3/4"-10
11.	G4200-13	2	Hose, 1 1/4" x 50'
12.	G10674	48	Hose Clamp, No. 24
13.	G10626	2	Adapter, 1 1/4" NPT To Barb
14.	G10616	6	Reducing Bushing, 2" Male NPT To 1 1/4" Female
15.	G10888	3	Tee, 2" Female NPT
16.	G10287	1	Elbow, 90°, 2" Male NPT To Female
17.	G4201-02	1	Hose, 2" x 12'
18.	GA2660	1	Shutoff Valve, 2" NPT
19.	G10623	3	Close Nipple, 2" NPT
20.	G10148	2	Hex Head Cap Screw, 1/2"-13 x 9 1/2"
	G10216	2	Washer, 1/2" USS
	G10228	2	Lock Washer, 1/2"
	G10102	2	Hex Nut, 1/2"-13
21.	GD3622	2	Adapter, 2" Female NPT To Cam Lock
22.	GD3951	1	Dust Cap, 2" Cam Lock
23.	GD15706	-	Bracket, 1 1/2" x 18 1/2", 32 Row 30" And 36 Row 30"
24.	G10628	4	Adapter, 2" NPT To Barb
25.	GA11063	-	Hose Support, 32 Row 30" And 36 Row 30"
26.	GD16478	4	Bracket
27.	GA10663	1	Hose Support
28.	GD16479	4	Mount
29.	G10014	2	Hex Head Cap Screw, 1/2"-13 x 1"
	G10228	2	Lock Washer, 1/2"
30.	GA10510	-	Straight Mount, Quick Fill, 20 19/32", 32 Row 30" And 36 Row 30"
31.	GD1862	2	Pad, 8" x 14"
32.	GD10777	2	Dust Plug, 2" Male Cam Lock
33.	GD3623	1	Adapter, 2" Male NPT To Cam Lock
34.	G10917	2	Elbow, 90°, 3/4" NPT To Barb
35.	G10278	10	Hose Clamp, No. 16
36.	G4205-10	1	Hose, 3/4" x 200" (100" Per Tank)
37.	GD16210	1	Bracket
38.	GD16189	4	Tie Bracket
39.	G11165	2	T-Bolt Clamp, 2 1/2", Stainless Steel
40.	G10897	2	Elbow, 90°, 1 1/4" Female NPT
41.	G4206-01	1	Hose, 2" x 18'
42.	GA8768	2	Clamp, 3"
43.	G10753	-	Hex Head Cap Screw, 3/8"-16 x 4 1/2", 32 Row 30" And 36 Row 30"
	G10108	8	Lock Nut, 3/8"-16
44.	G10599	8	Carriage Bolt, 3/8"-16 x 1 1/4"
	G10203	8	Washer, 3/8" SAE
	G10108	8	Lock Nut, 3/8"-16
45.	GD16733	2	Shim, 3/8"
46.	GD16731	4	Shim, 12 Gauge
47.	GD16943	1	Mounting Plate
	G10599	-	Carriage Bolt, 3/8"-16 x 1 1/4"
	G10227	-	Lock Washer, 1/4"
	G10103	-	Hex Nut, 1/4"-20
48.	GD16942	1	Flapper
49.	G10064	6	Hex Head Cap Screw, 1/4"-20 x 1"
50.	G10027	2	Hex Head Cap Screw, 3/4"-10 x 2 1/2"
51.	GA11608	-	Hose Support Mount
52.	G11042	2	Hex Head Cap Screw, 3/4"-10 x 1 3/4"
53.	G10112	12	Lock Nut, 3/4"-10
54.	GD16751	1	Extension Rod
55.	GD16944	1	Flapper Rod
56.	GD16572	1	Flapper Pivot Mount
57.	G4427-01	-	Edge Molding, 1/8" x 12"
	G4427-02	-	Edge Molding, 1/8" x 7"

LIQUID FERTILIZER PISTON PUMP MOUNT AND GROUND DRIVE WHEEL

(TWL317)



ITEM	PART NO.	QTY.	DESCRIPTION
1.	G10152	6	Hex Head Cap Screw, $\frac{5}{8}$ "-11 x 9"
	G10230	6	Lock Washer, $\frac{5}{8}$ "
	G10104	6	Hex Nut, $\frac{5}{8}$ "-11
2.	GA10355	1	Wheel Arm Mount
3.	GB0218	2	Bushing, $2\frac{1}{32}$ " I.D. x $\frac{7}{8}$ " O.D. x $\frac{19}{32}$ " Long
4.	G10005	2	Hex Head Cap Screw, $\frac{5}{8}$ "-11 x $1\frac{3}{4}$ "
	GD7805	2	Special Washer, $\frac{5}{8}$ ", Hardened
	G10107	2	Lock Nut, $\frac{5}{8}$ "-11
5.	GA9712	1	Spring Mount
6.	GD2681	1	Pin, $1\frac{1}{4}$ " x $13\frac{1}{2}$ "
	G10460	2	Cotter Pin, $\frac{1}{4}$ " x 2"
7.	GA10621	1	Arm W/Grease Fittings
	G10641	2	Grease Fitting, $\frac{1}{8}$ " NPT
8.	GA0241	1	Wheel, 5" x 15"
9.	GD1166	1	Valve Stem

LIQUID FERTILIZER PISTON PUMP MOUNT AND GROUND DRIVE WHEEL

ITEM	PART NO.	QTY.	DESCRIPTION
10.	G10012	1	Hex Head Cap Screw, 5/8"-11 x 6 1/2"
	GD7805	1	Special Washer, 5/8", Hardened
11.	GA10908	1	Spring Mount
12.	GB0196	1	Washer
13.	GD7831	1	Compression Spring
14.	GA10907	1	Spring Guide
15.	G11122	1	Hex Head Cap Screw, 5/8"-11 x 12"
	G10107	1	Lock Nut, 5/8"-11
16.	G10026	2	Hex Head Cap Screw, 3/4"-10 x 2"
	G10231	2	Lock Washer, 3/4"
17.	G11042	2	Hex Head Cap Screw, 3/4"-10 x 1 3/4"
	G10231	2	Lock Washer, 3/4"
	G10105	2	Hex Nut, 3/4"-10
18.	GD13744	1	Hose Holder
19.	GR1146	1	Sprocket, 18 Tooth
20.		-	See "Liquid Fertilizer Piston Pump (Crankcase Assembly)", Pages P166 And P167
21.		-	See "Liquid Fertilizer Piston Pump (Cylinder Assembly)", Pages P168 And P169
22.	G10007	2	Hex Head Cap Screw, 5/8"-11 x 1 1/2"
	G10217	2	Washer, 5/8" USS
	G10230	2	Lock Washer, 5/8"
	G10104	2	Hex Nut, 5/8"-11
23.	GA10894	1	Pump Mount
24.	G10017	2	Hex Head Cap Screw, 1/2"-13 x 1 1/2"
	G10216	2	Washer, 1/2" USS
	G10228	2	Lock Washer, 1/2"
	G10102	2	Hex Nut, 1/2"-13
25.	GD13328	1	Scraper
26.	G10013	1	Hex Head Cap Screw, 5/8"-11 x 3 1/2"
	G10205	1	Washer, 5/8" SAE
	G10230	1	Lock Washer, 5/8"
	G10104	1	Hex Nut, 5/8"-11
27.	GA0262	1	Idler Sprocket W/Bearing, 15 Tooth
28.	GD7817-05	1	Spacer, 11/16" I.D. x 1 1/4" Long
29.	GD0844	1	Tire, 7.60" x 15", 8 Ply (Specify Brand*)
30.	GA2559	1	Spindle
31.	GA0252	2	Seal
32.	GA0251	2	Bearing
33.	GR0267	5	Lug Nut, 1/2"-20
34.	G2500-84	1	Sprocket, 48 Tooth
35.	G10019	4	Hex Head Cap Screw, 5/16"-18 x 1"
	G10232	4	Lock Washer, 5/16"
36.	GD0831	2	Shoulder Nut, 1 1/4"-12 UNF-2A
37.	GA0547	1	Hub W/Cups And Studs, 5 Bolt
	GR0190	2	Cup
	GR0204	5	Stud
38.	G3200-62	1	Chain, No. 2050, 62 Pitch Including Connector Link
	GR0195	1	Connector Link, No. 2050
	GR0200	1	Offset Link, No. 2050
39.	GD2558	1	Lynch Pin, 1/4"

* Specific brand requests will be supplied only as available from current KINZE® Repair Parts stock. If a specific brand requested is not in stock, the brand available will be supplied. Different brand tires may have different diameters. Change in tire brand may affect rates. Field checks are recommended after any change in tires.

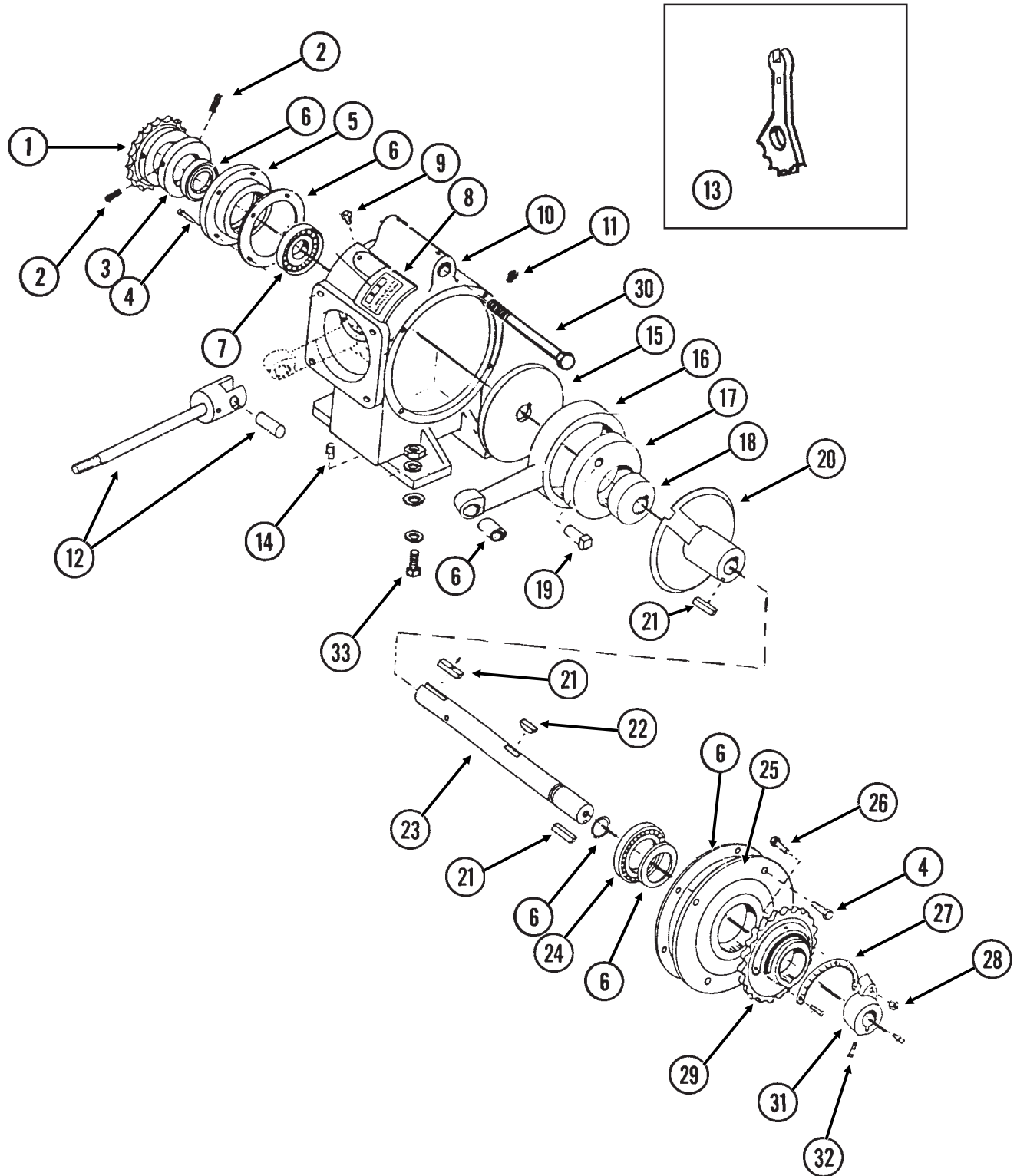
LIQUID FERTILIZER FLOW DIVIDER MOUNT AND HOSES

ITEM	PART NO.	QTY. (Per Assy.)	DESCRIPTION
1.	G4301-02	-	Hose, 3/8" x 50'
	G4301-04	-	Hose, 3/8" x 100'
	G4301-08	-	Hose, 3/8" x 250'
2.	G10681	24-32	Hose Clamp, No. 6
3.	GD11700	12-16	Adapter, 1/4" NPT To 3/8" Barb
4.		-	See "Liquid Fertilizer Piston Pump Flow Divider", Pages P170 And P171
5.	G10292	-	Plug, 1/4" NPT
6.	G10995	1	Reducing Bushing, 1" Male NPT To 3/4" Female, Stainless Steel, 32 Row 30" And 36 Row 30"
7.	GA6527	1	Mount, 3/4" NPT
8.	GD1114	1	U-Bolt, 7" x 7" x 5/8"-11
	G10230	2	Lock Washer, 5/8"
	G10104	2	Hex Nut, 5/8"-11
9.	G11083	1	Coupler, 3/4" Female NPT
10.	G10917	2	Elbow, 90°, 3/4" NPT To Barb
11.	G10278	2	Hose Clamp, No. 16
12.	G4205-10	-	Hose, 3/4" x 200"
13.		-	See "Liquid Fertilizer Piston Pump (Crankcase Assembly)", Pages P166 And P167
14.		-	See "Liquid Fertilizer Piston Pump (Cylinder Assembly)", Pages P168 And P169
15.	G10615	1	Reducing Bushing, 1 1/2" Male NPT To 1 1/4" Female
16.	G10619	1	Close Nipple, 1 1/4" NPT
17.	G10674	2	Hose Clamp, No. 24
18.		-	Hose, 1 1/4", See "Liquid Fertilizer Tanks, Saddles, Saddle Mounts And Hoses", Pages P156-P161
19.	G10626	3	Adapter, 1 1/4" NPT To Barb
20.	GA3893	1	Strainer Complete
	GR0880	-	Screen, No. 40 Mesh
	GR0881	-	Gasket
	GR0882	-	Y-Body
	GR0883	-	End Cap
21.	GA4976	-	Shutoff Valve, 1 1/4" NPT
	GR1015	-	Body O-Ring
	GR1016	-	Stem O-Ring
	GR1017	-	Teflon Seat
	GR1018	-	Ball
	GR1019	-	Handle
22.	G10887	2	Elbow, 90°, 1 1/4" Male NPT To Female
23.	GD15483	1	Mount, 32 Row 30" And 36 Row 30"
24.	G10046	2	Hex Head Cap Screw, 5/8"-11 x 5"
	G10230	2	Lock Washer, 5/8"
	G10104	2	Hex Nut, 5/8"-11

LIQUID FERTILIZER PISTON PUMP (Crankcase Assembly)

(PT38a/GR1100)

John Blue® Model L-4405



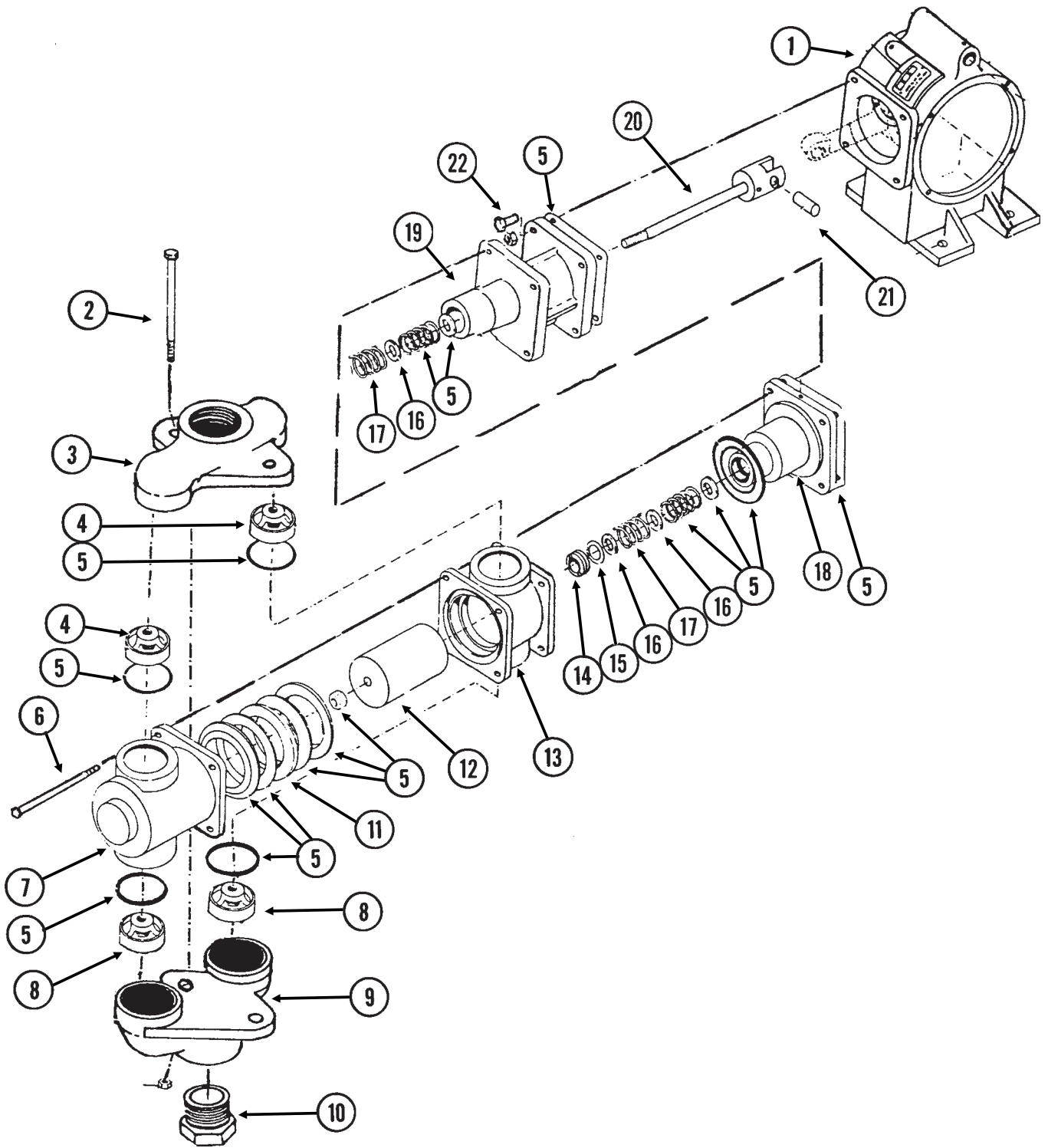
LIQUID FERTILIZER PISTON PUMP (Crankcase Assembly)

ITEM	PART NO.	QTY.	DESCRIPTION
1.		-	See "Liquid Fertilizer Piston Pump Mount And Ground Drive Wheel", Pages P162 And P163
2.	G10688	2	Square Head Set Screw, $\frac{3}{8}$ "-16 x $\frac{5}{8}$ "
3.	GR1147	1	Spacer
4.	G10019	4	Hex Head Cap Screw, $\frac{5}{16}$ "-18 x 1"
5.	GR1102	1	Housing
6.	GR1173	-	Repair Kit, Includes Item 5 On "Liquid Fertilizer Piston Pump (Cylinder Assembly)", Pages P168 And P169
7.	GR1104	1	Bearing
8.	GR1105	1	Name Plate
9.	G10054	2	Hex Head Cap Screw, $\frac{5}{16}$ "-18 x $\frac{1}{2}$ "
10.	GR1106	1	Crankcase
11.	GR1107	1	Vent Plug
12.		-	See "Liquid Fertilizer Piston Pump (Cylinder Assembly)", Pages P168 And P169
13.	GR1100	1	Adjustment Wrench
14.	GR1123	3	Plug
15.	GR1108	1	Disc
16.	GR1109	1	Connecting Rod
17.	GR1110	1	Large Eccentric
18.	GR1111	1	Small Eccentric
19.	GR1120	1	Eccentric Pin
20.	GR1119	1	Sleeve
21.	GR1118	3	Setting Arm Key
22.	GR1112	1	Woodruff Key
23.	GR1148	1	Crankshaft
24.	GR1116	1	Bearing
25.	GR1166	1	Cover Plate
26.	GR1167	1	Square Head Cap Screw, $\frac{3}{8}$ "-16 x 1 $\frac{3}{4}$ "
27.	GR1168	1	Scale
28.	G10108	1	Lock Nut, $\frac{3}{8}$ "-16
29.	GR1114	1	Flange
30.	G10318	1	Hex Head Cap Screw, $\frac{5}{8}$ "-11 x 4 $\frac{1}{2}$ "
	G10104	1	Hex Nut, $\frac{5}{8}$ "-11
31.	GR1165	1	Arm
32.	G10693	4	Hex Socket Head Set Screw, $\frac{5}{16}$ "-18 x $\frac{3}{8}$ "
33.	G10003	4	Hex Head Cap Screw, $\frac{3}{8}$ "-16 x 1 $\frac{1}{2}$ "
	GR1122	4	Mounting Pad
	G10210	8	Washer, $\frac{3}{8}$ " USS
	G10229	4	Lock Washer, $\frac{3}{8}$ "
	G10101	4	Hex Nut, $\frac{3}{8}$ "-16
A.	GA6154	1	Piston Pump Complete Less Sprocket (Model L-4405), Includes Crankcase (Items 2-33 On This Page) And Cylinder (Items 1-22 On Pages P168 And P169) Assemblies

LIQUID FERTILIZER PISTON PUMP (Cylinder Assembly)

(PT39a)

John Blue® Model L-4405

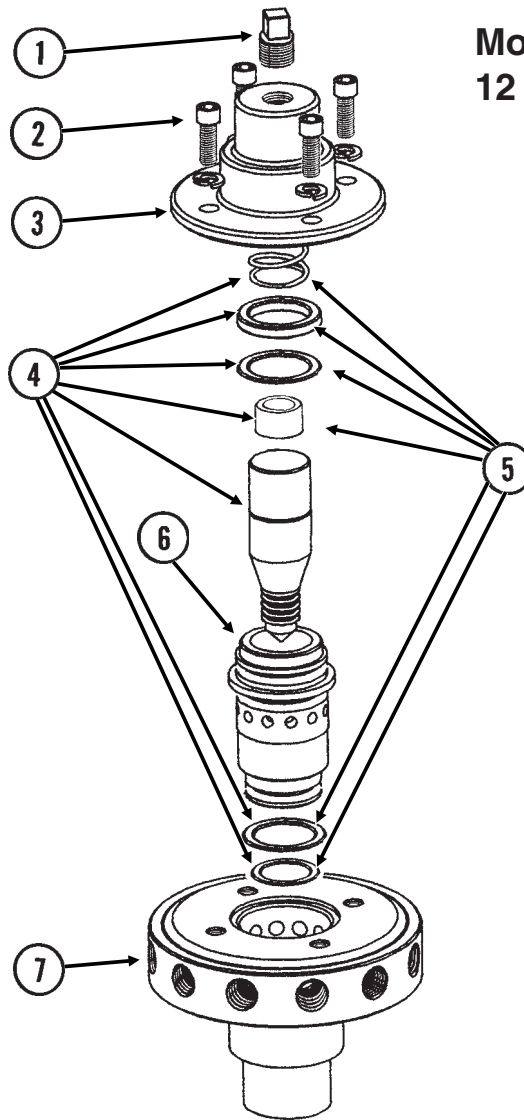


LIQUID FERTILIZER PISTON PUMP (Cylinder Assembly)

ITEM	PART NO.	QTY.	DESCRIPTION
1.		-	See "Liquid Fertilizer Piston Pump (Crankcase Assembly)", Pages P166 And P167
2.	G10686	2	Hex Head Cap Screw, $\frac{3}{8}$ "-16 x 8"
	G10101	2	Hex Nut, $\frac{3}{8}$ "-16
3.	GR1145	1	Discharge Manifold
4.	GR1144	2	Discharge Valve
5.	GR1173	-	Repair Kit, Includes Item 6 On "Liquid Fertilizer Piston Pump (Crankcase Assembly)", Pages P156 And P157
6.	G10687	4	Hex Head Cap Screw, $\frac{3}{8}$ "-16 x 5 $\frac{1}{2}$ "
	G10101	4	Hex Nut, $\frac{3}{8}$ "-16
7.	GR1143	1	Outboard Cylinder
8.	GR1142	2	Suction Valve
9.	GR1140	1	Suction Manifold
10.		-	See "Liquid Fertilizer Piston Pump Mount And Ground Drive Wheel", Pages P162 And P163
11.	GR1137	1	Flange Packing Washer
12.	GR1136	1	Plunger
13.	GR1135	1	Inboard Cylinder
14.	GR1134	1	Stuffing Box Insert
15.	GR1133	1	Retaining Ring
16.	GR1129	3	Washer
17.	GR1130	2	Packing Spring
18.	GR1132	1	Outboard Stuffing Box
19.	GR1127	1	Crosshead Guide
20.	GR1125	1	Piston Rod
21.	GR1124	1	Pin
22.	G10019	4	Hex Head Cap Screw, $\frac{5}{16}$ "-18 x 1"

LIQUID FERTILIZER PISTON PUMP FLOW DIVIDER, 24 ROW 30"

(FRTZ202c)



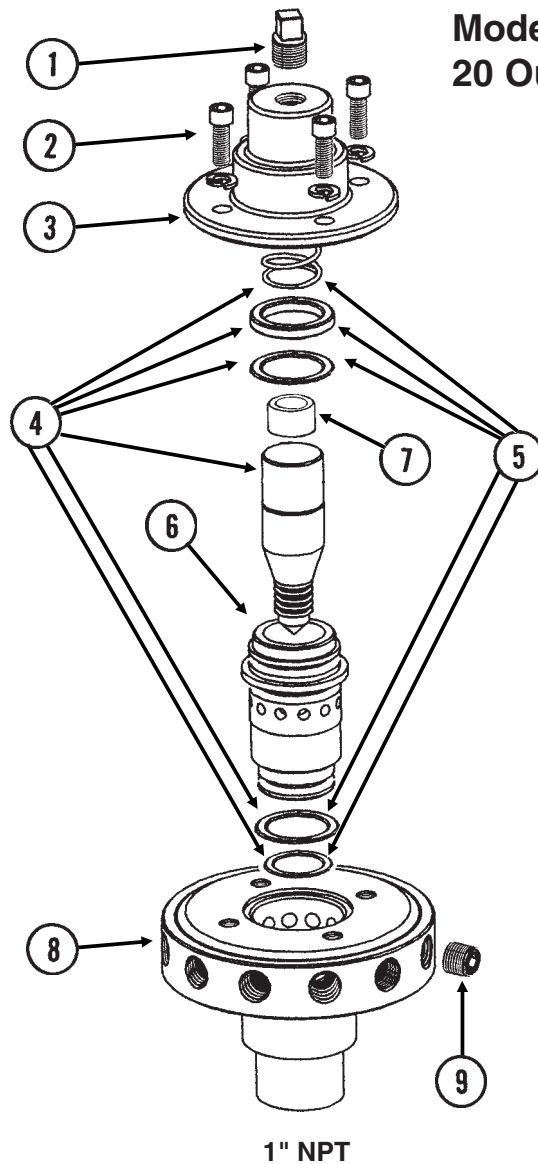
**Model FD-1200 Flow Divider,
12 Outlet**

3/4" NPT

ITEM	PART NO.	QTY.	DESCRIPTION
1.	GR1543	1	Plug
2.	GR1542	4	Hex Socket Head Screw, 1/4"-20 x 3/4"
	GR1541	4	Lock Washer, 1/4", Stainless Steel
3.	GR1540	1	Cap
4.	GR1544	1	Needle Assembly W/Seal Kit (Item 5)
5.	GR1545	1	Seal Kit, Includes: (3) O-Rings, (1) Seal, (1) Spring, (1) Stainless Steel Sleeve
6.	GR1535	1	Sleeve
7.	GR1533	1	Body (12 Outlets)
A.	GA8931	1	Liquid Fertilizer Piston Pump Flow Divider Complete, 12 Outlet (Model FD-1200)

LIQUID FERTILIZER PISTON PUMP FLOW DIVIDER, 32 ROW 30" AND 36 ROW 30"

(FRTZ202d)

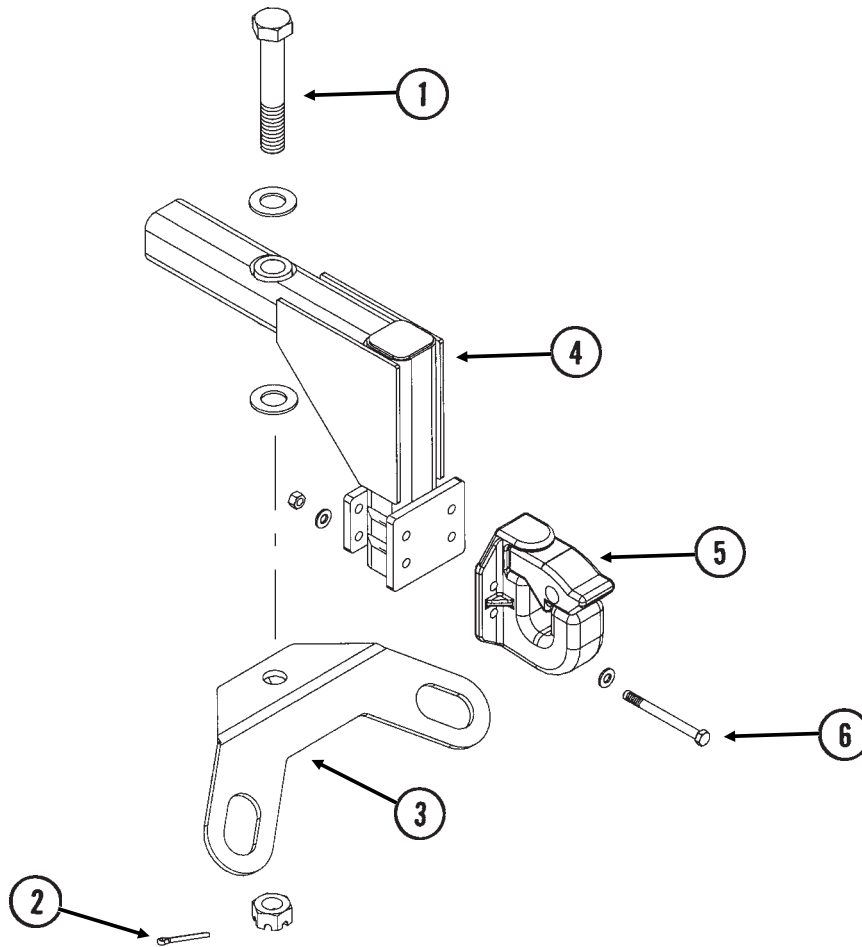


**Model FD-2000 Flow Divider,
20 Outlet**

ITEM	PART NO.	QTY.	DESCRIPTION
1.	GR1543	1	Plug
2.	GR1542	4	Hex Socket Head Screw, 1/4"-20 x 3/4"
	GR1541	4	Lock Washer, 1/4", Stainless Steel
3.	GR1566	1	Cap
4.	GR1567	1	Needle Assembly W/Seal Kit (Item 5)
5.	GR1568	1	Seal Kit, Includes: (3) O-Rings, (1) Seal, (1) Spring
6.	GR1561	1	Sleeve
7.	GR1574	1	Sleeve, 1" O.D. x 1/2" Long, Stainless Steel
8.	GR1559	1	Body (20 Outlets)
9.	G10350	4	Hex Socket Head Plug, 1/4" NPT, Stainless Steel
A.	GA9407	1	Liquid Fertilizer Piston Pump Flow Divider Complete, 20 Outlet (Model FD-2000)

REAR TRAILER HITCH

(FWD53)



ITEM	PART NO.	QTY.	DESCRIPTION
1.	GD15939	1	Hex Head Cap Screw, 1 1/4"-7 x 7 1/2"
	G10226	2	Washer, 1 1/4" SAE
	G10506	1	Slotted Nut, 1 1/4"-7
2.	G10460	1	Cotter Pin, 1/4" x 2"
3.	GD15929	1	Safety Chain Mount
4.	GA10858	1	Hitch Mount
5.	GA10859	1	Pintle Hitch
6.	G11153	4	Hex Head Cap Screw, 1/2"-20 x 5 1/2", Grade 8
	GD14674	8	Special Washer, 1/2", Hardened
	G11154	4	Lock Nut, 1/2"-20, Grade 8

DECALS, PAINT AND MISCELLANEOUS

⚠ WARNING

TO AVOID INJURY -- STAND CLEAR--KEEP OTHERS AWAY WHEN RAISING OR LOWERING MARKERS. BEFORE TRANSPORTING PLANTER FULLY EXTEND HYDRAULIC CYLINDERS AND INSTALL LOCKING PINS WHERE PROVIDED.

7100-42

1

⚠ WARNING

1. Read and understand the Operator's Manual.
2. Stop the tractor engine before leaving the operator's platform.
3. Keep riders off the machine.
4. Make certain everyone is clear of the machine before starting the tractor engine and operating.
5. Keep all shields in place.
6. Never lubricate, adjust, unclog or service the machine with tractor engine running.
7. Wait for all movement to stop before servicing.
8. Keep hands, feet and clothing away from moving parts.
9. Use flashing warning lights when operating on highways except when prohibited by law.

7100-46

2

⚠ WARNING

TOW ONLY WITH FARM TRACTOR

7100-56

3

⚠ DANGER

THIS PLANTER IS DESIGNED TO BE DRIVEN BY GROUND TIRES ONLY. THE USE OF HYDRAULIC, ELECTRIC OR PTO DRIVES MAY CREATE SERIOUS SAFETY HAZARDS TO YOU AND THE PEOPLE NEARBY. IF YOU INSTALL SUCH DRIVES YOU MUST FOLLOW ALL APPROPRIATE SAFETY STANDARDS AND PRACTICES TO PROTECT YOU AND OTHERS NEAR THIS PLANTER FROM INJURY.

7100-89

5

⚠ WARNING

NEVER WALK UNDER OR WORK ON PLANTER WHEN IT IS RAISED WITHOUT SUPPORTING THE FRAMES WITH ADDITIONAL SUPPORTS.

7100-68

4

⚠ WARNING

THIS MACHINE HAS BEEN DESIGNED AND BUILT WITH YOUR SAFETY IN MIND. DO NOT MAKE ANY ALTERATIONS OR CHANGES TO THIS MACHINE. ANY ALTERATION TO THE DESIGN OR CONSTRUCTION MAY CREATE SAFETY HAZARDS.

7100-90

6

 WEEKLY

7

 DAILY

8

⚠ WARNING

AGRICULTURAL CHEMICALS CAN BE DANGEROUS. IMPROPER SELECTION OR USE CAN SERIOUSLY INJURE PERSONS, ANIMALS, PLANTS, SOIL OR OTHER PROPERTY. BE SAFE. SELECT THE RIGHT CHEMICAL FOR THE JOB. HANDLE WITH CARE. FOLLOW THE INSTRUCTIONS ON THE CONTAINER LABEL AND OF THE EQUIPMENT MANUFACTURER.

7100-115

9

 DAILY

7100-116

10

⚠ DANGER

SERIOUS INJURY OR DEATH CAN RESULT FROM CONTACT WITH ELECTRICAL LINES. USE CARE TO AVOID CONTACT WITH ELECTRIC LINES WHEN MOVING OR OPERATING THIS MACHINE.

7100-117


11

USE 1 TABLESPOON POWDERED GRAPHITE WITH EACH HOPPER FILL OF SEED. SEED TREATMENT, FOREIGN MATERIAL, DIRT, OR SEED CHAFF MAY CAUSE GRADUAL REDUCTION OF SEED POPULATION. REFER TO MANUAL FOR MAINTENANCE AND CARE.

7100-153

12

ROTATION



7100-192

13

NOTE

It is the responsibility of the user to read and understand the Operator's Manual in regards to safety, operation, lubrication and maintenance before operation of this equipment.

AN OPERATOR & PARTS MANUAL IS AVAILABLE FOR THIS MACHINE.

To obtain a manual, furnish model number and serial number and contact your KINZE Dealer or KINZE Manufacturing, Inc., P.O. Box 806 Williamsburg, IA 52361-0806 USA

14

⚠ WARNING

MAXIMUM INFLATION PRESSURE

75 PSI

7100-219

15

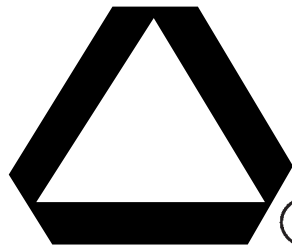
TORQUE 5/8" SPINDLE BOLTS TO 120 FT/LBS. CHECK PERIODICALLY AND RE-TORQUE AS NEEDED.

7100-224

16



17



18

⚠ CAUTION

SET DOWN PRESSURE SPRINGS TO MINIMUM. LOWER PLANTER TO GROUND AND EMPTY SEED HOPPERS. REQUIRES 90 LB MIN TO LIFT.

7100-249

19



20



21

 ANNUALLY

22

DECALS, PAINT AND MISCELLANEOUS

ROTATE KNURLED COLLAR
ON WRAP SPRING TIGHTENER
TO RELEASE SPRING
TENSION

7100-295

23

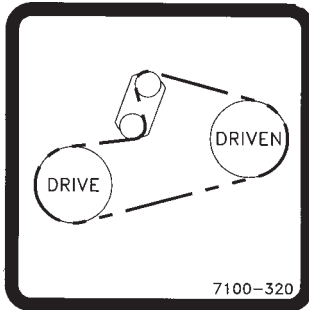
KINZE

3800

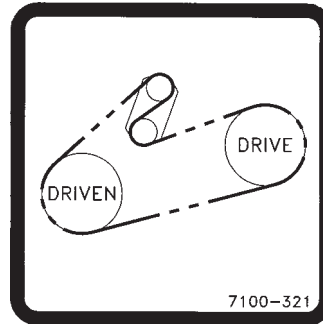
24

A A

25



26



27



28

⚠ WARNING ⚠

STAY CLEAR
OF DISCHARGE
WHILE FAN
IS RUNNING

7100-301

29

TRANSPORT

1106-317

30

KINZE

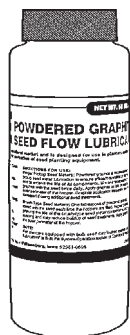
31



32



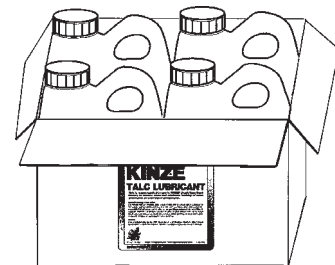
33



34



35



36

⚠ WARNING

DISCONNECT HYDRAULIC
LINES FROM TRACTOR
BEFORE REMOVING
COVER.

SEE OPERATOR'S MANUAL FOR
SERVICE INSTRUCTIONS.

7100-172

37

⚠ DANGER ⚠

ELECTRO-HYDRAULIC AUGER OPERATION.
AUGER MAY AUTOMATICALLY START
ANYTIME. DISCONNECT HYDRAULIC LINES
FROM TRACTOR OR SHUTOFF TRACTOR
ENGINE BEFORE SERVICING.

7100-319

38

⚠ DANGER

DO NOT RIDE
ON EQUIPMENT

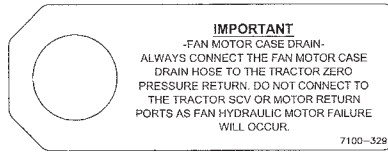
7100-266

39

DECALS, PAINT AND MISCELLANEOUS



40



41

ITEM	PART NO.	QTY.	DESCRIPTION
1.	G7100-42	4	Decal, Warning
2.	G7100-46	1	Decal, Warning
3.	G7100-56	1	Decal, Warning
4.	G7100-68	3	Decal, Warning
5.	G7100-89	2	Decal, Danger
6.	G7100-90	1	Decal, Warning
7.	G7100-110	-	Decal, Grease Weekly
8.	G7100-111	-	Decal, Oil Daily
9.	G7100-115	-	Decal, Warning (1 Per Granular Chemical Hopper)
10.	G7100-116	-	Decal, Grease Daily
11.	G7100-117	1	Decal, Danger
12.	G7100-153	-	Decal, Information (1 Per Seed Meter)
13.	G7100-192	-	Decal, Point Row Clutch Rotation
14.	G7100-217	-	Decal, Note
15.	G7100-219	-	Decal, Warning
16.	G7100-234	-	Decal, Bolt Torque
17.	G7100-247	-	Decal, Logo, 4 3/8" x 4 1/2" (2 Per Row Unit)
	G7100-252	-	Decal, Logo, 3 1/2" x 3 5/8" (Hopper Panel Extension)
18.	GD2199	1	SMV Sign
19.	G7100-249	-	Decal, Caution
20.	G7100-258	-	Reflective Decal, Red, 1 1/2" x 9", Rectangular (If Applicable)
	G7100-259	-	Reflective Decal, Amber, 1 1/2" x 9", Rectangular (If Applicable)
	G7100-260	-	Reflective Decal, Orange, 1 1/2" x 9", Rectangular (If Applicable)
21.	G7100-261	-	Reflective Decal, Red, 1 3/4" x 9", Die-Cut (If Applicable)
	G7100-262	-	Reflective Decal, Amber, 1 3/4" x 9", Die-Cut (If Applicable)
	G7100-263	-	Reflective Decal, Orange, 1 3/4" x 9", Die-Cut (If Applicable)
22.	G7100-277	-	Decal, Grease Annually
23.	G7100-295	-	Decal, Spring Tension Release
24.	G7100-300	2	Decal, KINZE® 3800
25.	GD10057-01	-	Hose Identification Sleeve, Red AA
	GD10057-02	-	Hose Identification Sleeve, Red BB
	GD10057-03	-	Hose Identification Sleeve, Blue AA
	GD10057-04	-	Hose Identification Sleeve, Blue BB
	GD10057-05	-	Hose Identification Sleeve, Black AA
	GD10057-06	-	Hose Identification Sleeve, Black BB
26.	G7100-320	-	Decal, Transmission, R.H.
27.	G7100-321	-	Decal, Transmission, L.H.
28.	G7100-322	-	Reflective Decal, Orange-Red, 1 1/2" x 4"
29.	G7100-301	-	Decal, Warning
30.	G7100-317	-	Decal, Transport
31.	G7100-310	-	Decal, KINZE®, 6 11/16" x 28 5/16"

(Continued On Following Page)

DECALS, PAINT AND MISCELLANEOUS

ITEM	PART NO.	QTY.	DESCRIPTION
32.	GD1512	-	Tie Strap, 7 1/2"
	GD2117	-	Tie Strap, 14 1/2"
	GD1162	-	Tie Strap, 28"
	GD2984	-	Tie Strap, 34"
33.	GM0207	-	Operator & Parts Manual, Model 3800 (EdgeVac® Seed Metering)
34.	GR0146MPP	-	Powdered Graphite, Twenty-Four 1 Pound Containers
35.	GR0155MPP	-	Blue Paint, Twelve Aerosol Cans
36.	GR1570MPP	-	Talc Lubricant, Four 8 Pound Containers
37.	G7100-172	-	Decal, Warning
38.	G7100-319	-	Decal, Danger
39.	G7100-266	-	Decal, Danger
40.	G7100-311	-	Decal, EdgeVac®
41.	G7100-329	-	Tag, Fan Motor Case Drain